

DEWALT®



**Instruction Manual
Guide D'utilisation
Manual de instrucciones**

**DCS7485
Cordless Table Saw
Scie de table sans fil
Sierra de banco inalámbrica**

www.DEWALT.com





**If you have questions or comments, contact us.
Pour toute question ou tout commentaire, nous contacter.
Si tiene dudas o comentarios, contáctenos.**

1-800-4-DEWALT

English (original instructions)	1
Français (<i>traduction de la notice d'instructions originale</i>)	14
Español (<i>traducido de las instrucciones originales</i>)	28

Definitions: Safety Alert Symbols and Words

This instruction manual uses the following safety alert symbols and words to alert you to hazardous situations and your risk of personal injury or property damage.

-  **DANGER:** Indicates an imminently hazardous situation which, if not avoided, **will** result in **death or serious injury**.
-  **WARNING:** Indicates a potentially hazardous situation which, if not avoided, **could** result in **death or serious injury**.
-  **CAUTION:** Indicates a potentially hazardous situation which, if not avoided, **may** result in **minor or moderate injury**.
-  (Used without word) Indicates a safety related message.
- NOTICE:** Indicates a practice **not related to personal injury** which, if not avoided, **may** result in **property damage**.



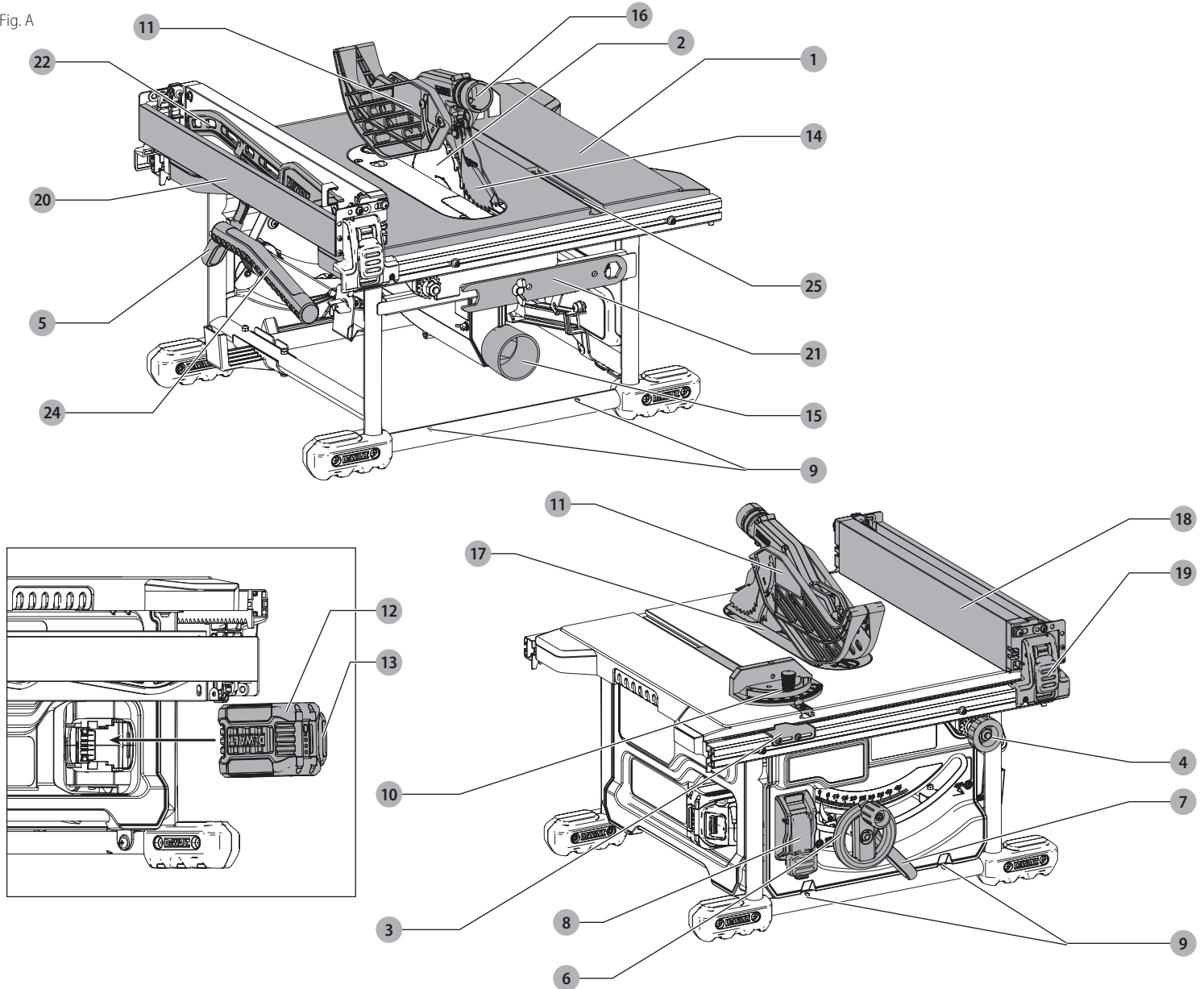
-  **WARNING! Read all safety warnings and all instructions.** Failure to follow the warnings and instructions may result in electric shock, fire and/or serious injury.
-  **WARNING:** To reduce the risk of injury, read the instruction manual.

Fig. A




- | | |
|--|--|
| <ul style="list-style-type: none"> 1 Table 2 Blade 3 Rip scale indicator 4 Fine adjust knob 5 Rail lock lever 6 Blade height adjustment wheel 7 Bevel lock lever 8 ON/OFF assembly 9 Mounting holes 10 Miter gauge 11 Blade guard assembly 12 Battery 13 Battery release button | <ul style="list-style-type: none"> 14 Anti-kickback assembly 15 Dust collection port 16 Guard dust collection port 17 Throat plate 18 Rip fence 19 Rip fence latch 20 Narrow ripping fence/support extension 21 Blade wrenches (stored position) 22 Push stick (stored position) 23 Riving knife (non thru sawing) (Fig. G) 24 Carry handle 25 Miter gauge track |
|--|--|


SAVE ALL WARNINGS AND INSTRUCTIONS FOR FUTURE REFERENCE

IF YOU HAVE ANY QUESTIONS OR COMMENTS ABOUT THIS OR ANY DeWALT TOOL, CALL US TOLL FREE AT: 1-800-4-DeWALT (1-800-433-9258).

 **WARNING:** To reduce the risk of injury, read the instruction manual.

General Safety Rules

 **WARNING:** Read all instructions before operating product. Failure to follow all instructions listed below may result in electric shock, fire and/or serious injury.

 **WARNING: FOLLOW ALL WIRING CODES** and recommended electrical connections to prevent shock or electrocution.

Important Safety Instructions

- **TO REDUCE THE RISK OF KICKBACK AND OTHER INJURIES**, use all components of the guarding system (blade guard assembly, riving knife and anti-kickback) for every operation for which they can be used including all thru-cutting.
- **REMOVE ADJUSTING KEYS AND WRENCHES**. Form habit of checking to see that keys and adjusting wrenches are removed from spindle before turning tool on. Tools, scrap pieces, and other debris can be thrown at high speed, causing injury.
- **KEEP WORK AREA CLEAN**. Cluttered areas and benches invite accidents.
- **DO NOT USE THE MACHINE IN A DANGEROUS ENVIRONMENT**. The use of power tools in damp or wet locations or in rain can cause shock or electrocution. Keep your work area well-lit to avoid tripping or placing arms, hands, and fingers in danger.
- **KEEP CHILDREN AWAY**. All visitors should be kept at a safe distance from work area. Your shop is a potentially dangerous environment.
- **MAKE WORKSHOP CHILDPROOF** with padlocks, master switches, or by removing starter keys and the battery. The unauthorized start-up of a machine by a child or visitor may result in injury.
- **DO NOT FORCE TOOL**. It will do the job better and be safer at the rate for which it was designed.
- **USE THE RIGHT TOOL**. Don't force tool or attachment to do a job for which it was not designed. Using the incorrect tool or attachment may result in personal injury.
- **DO NOT OVERREACH**. Keep proper footing and balance at all times. Loss of balance may cause personal injury. Do not attempt to retrieve materials near the blade on the saw table while the blade is spinning.
- **MAINTAIN TOOLS WITH CARE**. Keep blades sharp and clean for best and safest performance. Follow instructions for lubricating and changing accessories. Poorly maintained blades and machines can further damage the blade or machine and/or cause injury.
- **WEAR PROPER APPAREL**. Do not wear loose clothing, gloves, neckties, rings, bracelets, or other jewelry which may get caught in moving parts. Nonslip footwear is recommended. Wear protective hair covering to contain long hair.
- **ALWAYS USE SAFETY GLASSES**. Also use face or dust mask if cutting operation is dusty. Everyday eyeglasses only have impact resistant lenses, they are NOT safety glasses.
- **SECURE WORK**. Use clamps to hold work when practical (such as when using a zero clearance insert/throat plate). It's safer than using your hand and it frees both hands to operate tool.
- **TURN UNIT OFF AND REMOVE THE BATTERY PACK** before installing or removing accessories, before adjusting or changing set-ups, when making repairs or changing locations.
- Do not install or remove the battery pack with wet hands.
- **ENSURE THE SWITCH IS IN THE OFF POSITION BEFORE INSERTING BATTERY PACK**. Inserting the battery pack into power tools invites accidents.
- **USE RECOMMENDED ACCESSORIES**. Use only accessories that are recommended by the manufacturer for your model. Accessories that may be suitable for one tool may be hazardous when used on another tool. Consult the instruction manual for recommended accessories. The use of improper accessories may cause risk of injury to persons.
- Magnetic accessories will not work on this saw.
- **NEVER STAND OR SIT ON TOOL, NEVER USE AS A STEPPING STOOL**. Serious injury could occur if the tool is tipped or if the cutting tool is unintentionally contacted.
- **CHECK FOR DAMAGED PARTS**. Before further use of the tool, a guard or other part that is damaged should be carefully checked to determine that it will operate properly and perform its intended function—check for alignment of moving parts, binding of moving parts, breakage of parts, mounting and any other conditions that may affect its operation. A guard or other part that is damaged should be properly repaired or replaced. Do not use tool if switch does not turn it on and off. Damaged parts can cause further damage to the machine and/or personal injury.
- **DIRECTION OF FEED**. Feed work into a blade or cutter against the direction of rotation of the blade or cutter only. No cove cutting or freehand cuts.
- Check for adequate outfeed distance behind the saw to be sure materials can pass unobstructed through the cut. Work support tables should be placed in proper locations to fully support the material.
- **NEVER LEAVE TOOL RUNNING UNATTENDED. TURN POWER OFF**. Don't leave tool until it comes to a complete stop. Serious injury can result.
- **NEVER LEAVE MATERIAL ON THE TABLE TOP WHILE THE SAW IS RUNNING**.
- **DO NOT OPERATE ELECTRIC TOOLS NEAR FLAMMABLE LIQUIDS OR IN GASEOUS OR EXPLOSIVE ATMOSPHERES**. Motors and switches in these tools may spark and ignite fumes.
- **STAY ALERT, WATCH WHAT YOU ARE DOING, AND USE COMMON SENSE. DO NOT USE THE MACHINE WHEN YOU ARE TIRED OR UNDER THE INFLUENCE OF DRUGS, ALCOHOL,**

OR MEDICATION. A moment of inattention while operating power tools may result in serious injury.


- **DO NOT ALLOW FAMILIARITY (gained from frequent use of this saw) TO REPLACE SAFETY RULES**. Always remember that a careless fraction of a second is sufficient to inflict severe injury. Use extra caution and stay alert when making repetitive cuts. Turn off saw frequently to clean up saw dust and check adjustments to reduce monotony.

Additional Safety Rules for Table Saws

- **AVOID AWKWARD POSITIONS**, where a sudden slip could cause a hand to move into a saw blade.
- Do not attempt to retrieve materials near the blade on the saw table while the blade is spinning.
- **NEVER REACH IN BACK OF, OR AROUND, THE CUTTING TOOL** with either hand to hold down the workpiece.
- **KEEP ARMS, HANDS AND FINGERS AWAY** from the blade to prevent serious injury.
- **USE A PUSH STICK THAT IS APPROPRIATE TO THE APPLICATION TO PUSH WORKPIECES THROUGH THE SAW**. A push stick is a wooden or plastic stick, often homemade, that should be used whenever the size or shape of the workpiece would cause you to place your hands within 6" (152 mm) of the blade.
- **USE HOLD-DOWNS, JIGS, FIXTURES OR FEATHER BOARDS TO HELP GUIDE AND CONTROL THE WORKPIECE**. Accessories for use with your tool are available at extra cost from your local dealer or authorized service center. Instructions for making a push stick, a narrow rip auxiliary fence, a push block and feather boards are included in this manual.
- **DO NOT PERFORM RIPPING, CROSSCUTTING OR ANY OTHER OPERATION FREEHAND**.
- **NEVER** reach around or over saw blade while the blade is spinning.
- **STABILITY**. Make sure the table saw is firmly mounted to a secure surface before use and does not move.
- **THE TABLE SAW SHOULD ONLY BE SET UP ON A LEVEL AND STABLE SURFACE**. The work area should be free from obstructions and trip hazards. No materials or tools should be leaned against the saw.
- **NEVER CUT METALS, CEMENT BOARD OR MASONRY**. Certain man-made materials have special instructions for cutting on table saws. Follow the manufacturer's recommendations at all times. Damage to the saw and personal injury may result.
- Do not install a diamond masonry blade and attempt to use the table saw as a wet saw.
- **THE PROPER THROAT PLATE MUST BE LOCKED IN PLACE AT ALL TIMES** to reduce the risk of a thrown workpiece and possible injury.
- **USE THE CORRECT SAW BLADE FOR THE INTENDED OPERATION**. The blade must rotate toward the front of the saw. Always tighten the blade arbor nut securely. Before use, inspect the blade for cracks or missing teeth. Do not use a damaged or dull blade.
- **NEVER ATTEMPT TO FREE A STALLED SAW BLADE WITHOUT FIRST TURNING THE MACHINE OFF AND REMOVING THE BATTERY PACK**. If a workpiece or cut-off piece becomes trapped inside the blade guard assembly, turn saw off and wait for blade to stop before lifting the blade guard assembly and removing the piece.
- **NEVER START THE MACHINE** with the workpiece against the blade to reduce the risk of a thrown workpiece and personal injury.
- **DO NOT HAVE ANY PART OF YOUR BODY IN LINE WITH THE BLADE**. Personal injury may occur. Stand to either side of the blade.
- **NEVER PERFORM LAYOUT, ASSEMBLY OR SET-UP WORK** on the table/work area when the machine is running. A sudden slip could cause a hand to move into the blade. Severe injury can result.
- **NEVER PERFORM ANY ADJUSTMENTS WHILE THE SAW IS RUNNING** such as fence repositioning or removal, bevel lock adjustment, or blade height adjustment.
- **CLEAN THE TABLE/WORK AREA BEFORE LEAVING THE MACHINE**. Lock the switch in the "OFF" position and remove the battery pack to prevent unauthorized use.
- **ALWAYS** lock the fence and bevel adjustment before cutting.
- **DO NOT leave a long board (or other workpiece) unsupported so the spring of the board causes it to shift on the table resulting in loss of control and possible injury**. Provide proper support for the workpiece, based on its size and the type of operation to be performed. Hold the work firmly against the fence and down against the table surface.
- **If this saw makes an unfamiliar noise or if it vibrates excessively, cease operating immediately, turn unit off and remove the battery pack until the problem has been located and corrected**. Contact a DeWALT factory service center, a DeWALT authorized service center or other qualified service personnel if the problem can not be found.
- **DO NOT OPERATE THIS MACHINE** until it is completely assembled and installed according to the instructions. A machine incorrectly assembled can cause serious injury.
- **NEVER** attempt to cut a stack of loose pieces of material which could cause loss of control or kickback. Support all materials securely.
- **DO NOT STORE THIS TOOL WITH THE BATTERY INSTALLED**. Think through all scenarios to ensure that the saw is never turned on accidentally.
- **DO NOT TRANSPORT THIS TOOL WITH THE BATTERY INSTALLED**.
- **ADDITIONAL INFORMATION** regarding the safe and proper operation of power tools (i.e., a safety video) is available from the Power Tool Institute, 1300 Sumner Avenue, Cleveland, OH 44115-2851 (www.powertoolinstitute.com). Information is also available from the National Safety Council, 1121 Spring Lake Drive, Itasca, IL 60143-3201. Please refer to the U.S. Department of Labor OSHA 1910.213 Regulations.

Terms: The following terms will be used throughout the manual and you should become familiar with them.

- **Thru-sawing** refers to any cut that completely cuts through the workpiece.
- **Non thru-sawing** refers to any cut that does not completely cut through the workpiece.
- **Push Stick** refers to a wooden or plastic stick, usually homemade, that is used to push small workpiece through the saw and keeps the operator's hands clear of the blade.
- **Kickback** occurs when the saw blade binds in the cut and violently thrusts the workpiece back toward the operator. Even more serious and dangerous kickback will result from using the saw without the guard or riving knife. Material that contacts the outer rim of the blade will be thrown violently and unpredictably at the operator.
- **Freehand** refers to cutting without the use of a miter gauge or rip fence or any other means of guiding or holding the workpiece other than the operator's hands.

 **WARNING:** Never perform freehand cutting with this saw.

- **Plunge cutting** refers to cutting where the workpiece is either lowered down onto the blade with the workpiece controlled by the user's hands or the workpiece is supported by the user's hands on the table surface and the blade is then raised up through the workpiece.

 **WARNING:** Never perform plunge cutting with this saw.

- **Resawing** - Flipping material to make a cut the saw is not capable of making in one pass.

 **WARNING:** Do not perform resaw cuts on this saw.

- **Outfeed** - The distance behind the saw required to pass the material all the way through the cut.
- **Dado cutting** - Using a dado head or other type of shaping cutter head to cut dadoes or decorative grooves.

 **WARNING:** Do not install dado head or shaping head cutters on this saw.

Saw Blade Guard Assembly, Anti-kickback Assembly and Riving Knife

This table saw is equipped with a blade guard assembly with splitter and anti-kickback assembly that covers the blade and reduces the possibility of accidental blade contact. A riving knife is also provided for use when making non-thru cuts. The riving knife and splitter are flat plates that are positioned behind the saw blade and fit into the cut made by the saw blade. Two anti-kickback pawls are located on the sides of the splitter that allow the wood to pass through the blade in the cutting direction but reduce the possibility of the material being thrown backwards toward the operator. They help prevent kickbacks caused by binding or pinching of the cut material at the back of the saw blade. **The blade guard assembly and anti-kickback assembly can only be used when making thru-cuts that sever the wood. When making rabbets, dadoes, tenons, lap joints or other non-thru cuts, the blade guard assembly and anti-kickback assembly must be removed and the riving knife must be installed.**

Use all components of the guarding system (blade guard assembly, riving knife and anti-kickback assembly) for every operation for which they can be used including all thru-cutting. If you elect not to use any of these components for a particular application exercise additional caution regarding control of the workpiece, the use of push sticks, the position of your hands relative to the blade, the use of safety glasses, the means to avoid kickback and all other warnings contained in this manual and on the saw itself. **Replace the guarding systems as soon as you return to thru-cutting operations.** Keep the guard assembly in working order.

Making a Push Stick (Inside Back Cover)

- In order to operate this table saw safely you must use a push stick whenever the size or shape of the workpiece would cause your hands to be within 6" (152 mm) of the saw blade or other cutter. A push stick is included with this saw.
- You may need additional push sticks to accommodate materials of different thicknesses. Plans for making push sticks are included in the back of this instruction manual. Push sticks should be made from solid wood, plywood, plastic or other strong but soft material. A length of 15.7" (400 mm) is recommended with a notch that fits against the edge of the workpiece to prevent slipping. It's a good idea to have several push sticks of the same length (15.7" [400 mm] with different size notches for different workpiece thicknesses.


Kickbacks

Kickbacks can cause serious injury. A kickback occurs when a part of the workpiece binds between the saw blade and the rip fence, or other fixed object, and rises from the table and is thrown toward the operator. Kickbacks can be avoided by attention to the following conditions.


How to Avoid Them and Protect Yourself from Possible Injury

- Use the blade guard with splitter, or use the riving knife whenever possible.
- Be certain that the rip fence is parallel to the saw blade.
- Do not rip by applying the feed force to the section of the workpiece that will become the cut-off (free) piece. Feed force when ripping should always be applied between the saw blade and the fence; use a push stick for narrow work, 6" (152 mm) wide or less.
- Keep saw blade guard assembly, riving knife and anti-kickback assembly in place and operating properly. If anti-kickback assembly is not operational, return your unit to the nearest authorized DeWALT service center for repair. The splitter and riving knife must be in alignment with the saw blade and the anti-kickback assembly must stop a kickback once it has started. Check their action before ripping by pushing the wood under the anti-kickback assembly. The teeth must prevent the wood from being pulled toward the front of the saw.

- Plastic and composite (like laminate flooring) materials may be cut on this saw. These materials may have hard or slippery surfaces which limit the effectiveness of the anti-kickback assembly. When cutting these materials, pay particular attention to the instructions for ripping.
- Use saw blade guard assembly, anti-kickback assembly and riving knife for every operation for which it can be used, including all thru-sawing.
- Push the workpiece past the saw blade prior to release.
- NEVER rip a workpiece that is twisted or warped, or does not have a straight edge to guide along the fence.
- NEVER saw a large workpiece that cannot be controlled.
- NEVER use the fence as a guide or length stop when crosscutting.
- NEVER saw a workpiece with loose knots, flaws, nails or other foreign objects.
- NEVER rip a workpiece shorter than 10" (254 mm).
- NEVER use a dull blade – replace or have resharpened.

 **WARNING: ALWAYS** use safety glasses. Everyday eyeglasses are NOT safety glasses. Also use face or dust mask if cutting operation is dusty. ALWAYS WEAR CERTIFIED SAFETY EQUIPMENT:


- ANSI Z87.1 eye protection (CAN/CSA Z94.3),
- ANSI S12.6 (S3.19) hearing protection,
- NIOSH/OSHA/MSHA respiratory protection.

 **WARNING:** Some dust created by power sanding, sawing, grinding, drilling, and other construction activities contains chemicals known to the State of California to cause cancer, birth defects or other reproductive harm. Some examples of these chemicals are:

- lead from lead-based paints,
- crystalline silica from bricks and cement and other masonry products, and
- arsenic and chromium from chemically-treated lumber.

Your risk from these exposures varies, depending on how often you do this type of work. To reduce your exposure to these chemicals: work in a well ventilated area, and work with approved safety equipment, such as those dust masks that are specially designed to filter out microscopic particles.

- **Avoid prolonged contact with dust from power sanding, sawing, grinding, drilling, and other construction activities. Wear protective clothing and wash exposed areas with soap and water.** Allowing dust to get into your mouth, eyes, or lay on the skin may promote absorption of harmful chemicals.

 **WARNING:** Use of this tool can generate and/or disperse dust, which may cause serious and permanent respiratory or other injury. Always use NIOSH/OSHA approved respiratory protection appropriate for the dust exposure. Direct particles away from face and body.

NOTICE: Under certain conditions of use, such as extended operation in low-humidity conditions, or cutting certain materials such as vinyl trim, static charges may build up on the metal portions of the saw. Touching the metal parts will discharge this static build up and may result in a short, mild, but harmless electrical shock. However, if you are concerned about this, you may bring the saw into a DeWALT service center for a free inspection to assure that there is no electrical malfunction of the saw.

The label on your tool may include the following symbols. The symbols and their definitions are as follows:

V..... volts	W..... watts
Hz..... hertz	~ or AC..... alternating current
min..... minutes	⎓ or AC/DC... alternating or direct current
— — or DC..... direct current	□..... Class II Construction (double insulated)
Ⓛ..... Class I Construction (grounded)	no..... no load speed
.../min..... per minute	n..... rated speed
BPM..... beats per minute	⊕..... earthing terminal
IPM..... impacts per minute	⚠..... safety alert symbol
RPM..... revolutions per minute	☀..... visible radiation
sfpm..... surface feet per minute	☑..... wear respiratory protection
SPM..... strokes per minute	☑..... wear eye protection
A..... amperes	👂..... wear hearing protection


BATTERIES AND CHARGERS

The battery pack is not fully charged out of the carton. Before using the battery pack and charger, read the safety instructions below and then follow charging procedures outlined. When ordering replacement battery packs, be sure to include the catalog number and voltage.

Your tool uses a DeWALT charger. Be sure to read all safety instructions before using your charger. Consult the chart at the end of this manual for compatibility of chargers and battery packs.

READ ALL INSTRUCTIONS

Important Safety Instructions for All Battery Packs

 **WARNING:** Read all safety warnings and all instructions for the battery pack, charger and power tool. Failure to follow the warnings and instructions may result in electric shock, fire and/or serious injury.

- Do not charge or use the battery pack in explosive atmospheres, such as in the presence of flammable liquids, gases or dust. Inserting or removing the battery pack from the charger may ignite the dust or fumes.

- **NEVER force the battery pack into the charger. DO NOT modify the battery pack in any way to fit into a non-compatible charger as battery pack may rupture causing serious personal injury.** Consult the chart at the end of this manual for compatibility of batteries and chargers.
- Charge the battery packs only in designated DeWALT chargers.
- **DO NOT splash or immerse in water or other liquids.**
- **Do not store or use the tool and battery pack in locations where the temperature may reach or exceed 104 °F (40 °C) (such as outside sheds or metal buildings in summer).** For best life store battery packs in a cool, dry location.
NOTE: Do not store the battery packs in a tool with the trigger switch locked on. Never tape the trigger switch in the ON position.
- **Do not incinerate the battery pack even if it is severely damaged or is completely worn out.** The battery pack can explode in a fire. Toxic fumes and materials are created when lithium ion battery packs are burned.
- **If battery contents come into contact with the skin, immediately wash area with mild soap and water.** If battery liquid gets into the eye, rinse water over the open eye for 15 minutes or until irritation ceases. If medical attention is needed, the battery electrolyte is composed of a mixture of liquid organic carbonates and lithium salts.
- **Contents of opened battery cells may cause respiratory irritation.** Provide fresh air. If symptoms persist, seek medical attention.

WARNING: Burn hazard. Battery liquid may be flammable if exposed to spark or flame.

WARNING: Fire hazard. Never attempt to open the battery pack for any reason. If the battery pack case is cracked or damaged, do not insert into the charger. Do not crush, drop or damage the battery pack. Do not use a battery pack or charger that has received a sharp blow, been dropped, run over or damaged in any way (e.g., pierced with a nail, hit with a hammer, stepped on). Damaged battery packs should be returned to the service center for recycling.

Transportation

WARNING: Fire hazard. Do not store or carry the battery pack so that metal objects can contact exposed battery terminals. For example, do not place the battery pack in aprons, pockets, tool boxes, product kit boxes, drawers, etc., with loose nails, screws, keys, etc. Transporting batteries can possibly cause fires if the battery terminals inadvertently come in contact with conductive materials such as keys, coins, hand tools and the like. The US Department of Transportation Hazardous Material Regulations (HMR) actually prohibit transporting batteries in commerce or on airplanes in carry-on baggage UNLESS they are properly protected from short circuits. So when transporting individual battery packs, make sure that the battery terminals are protected and well insulated from materials that could contact them and cause a short circuit.

Shipping the DeWALT FLEXVOLT™ Battery

The DeWALT FLEXVOLT™ battery has two modes: **Use** and **Shipping**.

Use Mode: When the FLEXVOLT™ battery stands alone or is in a DeWALT 20V Max* product, it will operate as a 20V Max* battery. When the FLEXVOLT™ battery is in a 60V Max* or a 120V Max* (two 60V Max* batteries) product, it will operate as a 60V Max* battery.

Shipping Mode: When the cap is attached to the FLEXVOLT™ battery, the battery is in Shipping Mode. Strings of cells are electrically disconnected within the pack resulting in three batteries with a lower watt hour (Wh) rating as compared to one battery with a higher Watt hour rating. This increased quantity of three batteries with the lower watt hour rating can exempt the pack from certain shipping regulations that are imposed upon the higher Watt hour batteries.

The battery label indicates two Watt Hour Ratings (see example). Depending on how the battery is shipped, the appropriate Whr rating must be used to determine the applicable shipping requirements. If utilizing the shipping cap, the pack will be considered 3 batteries at the Whr indicated for "Shipping". If shipping without the cap or in a tool, the pack will be considered one battery at the Watt hour rating indicated next to "Use".

example of Use and Shipping label marking

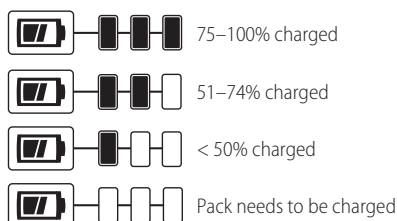
USE: 120 Wh Shipping: 3 x 40 Wh

Transport Wh rating indicates 3 x 40 Wh, meaning 3 batteries of 40 Watt hours each. The Use Wh rating indicates 120 Watt hour (1 battery implied).

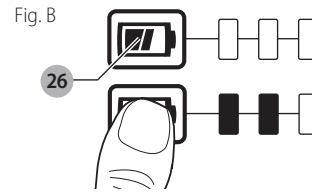
Fuel Gauge Battery Packs (Fig. B)

Some DeWALT battery packs include a fuel gauge which consists of three green LED lights that indicate the level of charge remaining in the battery pack.

The fuel gauge is an indication of approximate levels of charge remaining in the battery pack according to the following indicators:



To actuate the fuel gauge, press and hold the fuel gauge button (26). A combination of the three green LED lights will illuminate designating the level of charge left. When the level of charge in the battery is below the usable limit, the fuel gauge will not illuminate and the battery will need to be recharged.



NOTE: The fuel gauge is only an indication of the charge left on the battery pack. It does not indicate tool functionality and is subject to variation based on product components, temperature and end-user application.

For more information regarding fuel gauge battery packs, please contact call 1-800-4-DeWALT (1-800-433-9258) or visit our website www.dewalt.com.

The RBRC® Seal

The RBRC® (Rechargeable Battery Recycling Corporation) Seal on the nickel cadmium, nickel metal hydride or lithium-ion batteries (or battery packs) indicates that the costs to recycle these batteries (or battery packs) at the end of their useful life have already been paid by DeWALT. In some areas, it is illegal to place spent nickel cadmium, nickel metal hydride or lithium-ion batteries in the trash or municipal solid waste stream and the Call 2 Recycle® program provides an environmentally conscious alternative.



Call 2 Recycle, Inc., in cooperation with DeWALT and other battery users, has established the program in the United States and Canada to facilitate the collection of spent nickel cadmium, nickel metal hydride or lithium-ion batteries. Help protect our environment and conserve natural resources by returning the spent nickel cadmium, nickel metal hydride or lithium-ion batteries to an authorized DeWALT service center or to your local retailer for recycling. You may also contact your local recycling center for information on where to drop off the spent battery. RBRC® is a registered trademark of Call 2 Recycle, Inc.

RBRC™ is a registered trademark of the Rechargeable Battery Recycling Corporation.

Important Safety Instructions for All Battery Chargers

WARNING: Read all safety warnings and all instructions for the battery pack, charger and power tool. Failure to follow the warnings and instructions may result in electric shock, fire and/or serious injury.

- **DO NOT attempt to charge the battery pack with any chargers other than the ones in this manual.** The charger and battery pack are specifically designed to work together.
- **These chargers are not intended for any uses other than charging DeWALT rechargeable batteries.** Any other uses may result in risk of fire, electric shock or electrocution.
- **Do not expose the charger to rain or snow.**
- **Pull by the plug rather than the cord when disconnecting the charger.** This will reduce the risk of damage to the electric plug and cord.
- **Make sure that the cord is located so that it will not be stepped on, tripped over or otherwise subjected to damage or stress.**
- **Do not use an extension cord unless it is absolutely necessary.** Use of improper extension cord could result in risk of fire, electric shock or electrocution.
- **When operating a charger outdoors, always provide a dry location and use an extension cord suitable for outdoor use.** Use of a cord suitable for outdoor use reduces the risk of electric shock.
- **An extension cord must have adequate wire size (AWG or American Wire Gauge) for safety.** The smaller the gauge number of the wire, the greater the capacity of the cable, that is, 16 gauge has more capacity than 18 gauge. An undersized cord will cause a drop in line voltage resulting in loss of power and overheating. When using more than one extension to make up the total length, be sure each individual extension contains at least the minimum wire size. The following table shows the correct size to use depending on cord length and nameplate ampere rating. If in doubt, use the next heavier gauge. The lower the gauge number, the heavier the cord.

Volts	Minimum Gauge for Cord Sets				
	Total Length of Cord in Feet (meters)				
120 V	25 (7.6)	50 (15.2)	100 (30.5)	150 (45.7)	
240 V	50 (15.2)	100 (30.5)	200 (61.0)	300 (91.4)	
Ampere Rating		American Wire Gauge			
More Than	Not More Than				
0	6	18	16	16	14
6	10	18	16	14	12
10	12	16	16	14	12
12	16	14	12	Not Recommended	

- **Do not place any object on top of the charger or place the charger on a soft surface that might block the ventilation slots and result in excessive internal heat.** Place the charger in a position away from any heat source. The charger is ventilated through slots in the top and the bottom of the housing.

- **Do not operate the charger with a damaged cord or plug.**
- **Do not operate the charger if it has received a sharp blow, been dropped or otherwise damaged in any way.** Take it to an authorized service center.
- **Do not disassemble the charger; take it to an authorized service center when service or repair is required.** Incorrect reassembly may result in a risk of electric shock, electrocution or fire.
- **Disconnect the charger from the outlet before attempting any cleaning. This will reduce the risk of electric shock.** Removing the battery pack will not reduce this risk.
- **NEVER** attempt to connect 2 chargers together.
- **The charger is designed to operate on standard 120V household electrical power. Do not attempt to use it on any other voltage.** This does not apply to the vehicular charger.

⚠ WARNING: Shock hazard. Do not allow any liquid to get inside the charger. Electric shock may result.

⚠ WARNING: Burn hazard. Do not submerge the battery pack in any liquid or allow any liquid to enter the battery pack. Never attempt to open the battery pack for any reason. If the plastic housing of the battery pack breaks or cracks, return to a service center for recycling.

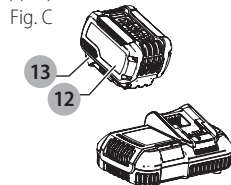
⚠ CAUTION: Burn hazard. To reduce the risk of injury, charge only DeWALT rechargeable battery packs. Other types of batteries may overheat and burst resulting in personal injury and property damage.

⚠ CAUTION: When battery pack is not in use, keep it away from other metal objects like paper clips, coins, keys, nails, screws, or other small metal objects that can make a connection to one terminal to another. Shorting the battery terminals together may cause burns or fire.

NOTICE: Under certain conditions, with the charger plugged into the power supply, the charger can be shorted by foreign material. Foreign materials of a conductive nature, such as, but not limited to, grinding dust, metal chips, steel wool, aluminum foil or any buildup of metallic particles should be kept away from the charger cavities. Always unplug the charger from the power supply when there is no battery pack in the cavity. Unplug the charger before attempting to clean.

Charging a Battery (Fig. C)

1. Plug the charger into an appropriate outlet before inserting battery pack.



2. Insert the battery pack **12** into the charger, making sure the battery pack is fully seated in the charger. The red (charging) light will blink continuously indicating that the charging process has started.
3. The completion of charge will be indicated by the red light remaining ON continuously. The battery pack is fully charged and may be used at this time or left in the charger. To remove the battery pack from the charger, push the battery release button **13** on the battery pack.

NOTE: To ensure maximum performance and life of lithium-ion battery packs, charge the battery pack fully before first use.

Charger Operation

Refer to the indicators below for the charge status of the battery pack.

DCB101	
	Charging
	Fully Charged
	Hot/Cold Pack Delay
	Problem Pack or Charger
DCB107, DCB112, DCB113, DCB115, DCB118	
	Charging
	Fully Charged
	Hot/Cold Pack Delay*

***DCB107, DCB112, DCB113, DCB115, DCB118:** The red light will continue to blink, but a yellow indicator light will be illuminated during this operation. Once the battery pack has reached an appropriate temperature, the yellow light will turn off and the charger will resume the charging procedure.

The compatible charger(s) will not charge a faulty battery pack. The charger will indicate faulty battery pack by refusing to light or by displaying a problem pack or charger blink pattern.

NOTE: This could also mean a problem with a charger.

If the charger indicates a problem, take the charger and battery pack to be tested at an authorized service center.

Hot/Cold Pack Delay

When the charger detects a battery pack that is too hot or too cold, it automatically starts a Hot/Cold Pack Delay, suspending charging until the battery pack has reached an appropriate temperature. The charger then automatically switches to the pack charging mode. This feature ensures maximum battery pack life.

A cold battery pack will charge at a slower rate than a warm battery pack. The battery pack will charge at that slower rate throughout the entire charging cycle and will not return to maximum charge rate even if the battery pack warms.

The DCB118 charger is equipped with an internal fan designed to cool the battery pack. The fan will turn on automatically when the battery pack needs to be cooled.

Never operate the charger if the fan does not operate properly or if ventilation slots are blocked. Do not permit foreign objects to enter the interior of the charger.

Electronic Protection System

Li-Ion tools are designed with an Electronic Protection System that will protect the battery pack against overloading, overheating or deep discharge.

The tool will automatically turn off if the Electronic Protection System engages. If this occurs, place the lithium-ion battery pack on the charger until it is fully charged.

Wall Mounting

DCB107, DCB112, DCB113, DCB115, DCB118

These chargers are designed to be wall mountable or to sit upright on a table or work surface. If wall mounting, locate the charger within reach of an electrical outlet, and away from a corner or other obstructions which may impede air flow. Use the back of the charger as a template for the location of the mounting screws on the wall. Mount the charger securely using drywall screws (purchased separately) at least 1" (25.4 mm) long, with a screw head diameter of 0.28–0.35" (7–9 mm), screwed into wood to an optimal depth leaving approximately 7/32" (5.5 mm) of the screw exposed. Align the slots on the back of the charger with the exposed screws and fully engage them in the slots.

Charger Cleaning Instructions

⚠ WARNING: Shock hazard. Disconnect the charger from the AC outlet before cleaning. Dirt and grease may be removed from the exterior of the charger using a cloth or soft non-metallic brush. Do not use water or any cleaning solutions.

Important Charging Notes

1. Longest life and best performance can be obtained if the battery pack is charged when the air temperature is between 65 °F and 75 °F (18 ° – 24 °C). DO NOT charge the battery pack in an air temperature below +40 °F (+4.5 °C), or above +104 °F (+40 °C). This is important and will prevent serious damage to the battery pack.
2. The charger and battery pack may become warm to the touch while charging. This is a normal condition, and does not indicate a problem. To facilitate the cooling of the battery pack after use, avoid placing the charger or battery pack in a warm environment such as in a metal shed or an uninsulated trailer.
3. If the battery pack does not charge properly:
 - a. Check operation of receptacle by plugging in a lamp or other appliance;
 - b. Check to see if receptacle is connected to a light switch which turns power off when you turn out the lights;
 - c. Move the charger and battery pack to a location where the surrounding air temperature is approximately 65 °F – 75 °F (18 ° – 24 °C);
 - d. If charging problems persist, take the tool, battery pack and charger to your local service center.
4. The battery pack should be recharged when it fails to produce sufficient power on jobs which were easily done previously. DO NOT CONTINUE to use under these conditions. Follow the charging procedure. You may also charge a partially used pack whenever you desire with no adverse effect on the battery pack.
5. Foreign materials of a conductive nature such as, but not limited to, grinding dust, metal chips, steel wool, aluminum foil, or any buildup of metallic particles should be kept away from charger cavities. Always unplug the charger from the power supply when there is no battery pack in the cavity. Unplug the charger before attempting to clean.
6. Do not freeze or immerse the charger in water or any other liquid.

Storage Recommendations

1. The best storage place is one that is cool and dry, away from direct sunlight and excess heat or cold.
2. For long storage, it is recommended to store a fully charged battery pack in a cool dry place out of the charger for optimal results.

NOTE: Battery packs should not be stored completely depleted of charge. The battery pack will need to be recharged before use.

SAVE THESE INSTRUCTIONS FOR FUTURE USE

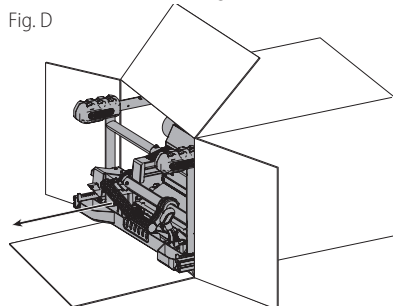
Specifications

Table Size	19 X 19" (485 x 485 mm)
Miter Angle	30° left and right
Bevel Angle	-2° to 47° left
Blade Size	8-1/4" (210 mm)
Max. Cut Depth, 0° Bevel	2-9/16" (65 mm)
Max. Cut Depth, 45° Bevel	1-3/4" (45 mm)
RPM, no load	5800

Unpacking (Fig. D)

WARNING: To reduce the risk of injury, **DO NOT** install the battery pack until the table saw is completely assembled and you have read the entire instruction manual.

Open the box and slide the saw out, as shown in Figure D.



Carefully unpack the table saw and all loose items from the carton. Examine all parts to make sure that parts have not been damaged during shipping. If any parts are missing or damaged, contact your dealer to replace them before attempting to assemble the tool.

COMPONENTS (FIG. A)

WARNING: Never modify the power tool or any part of it. Damage or personal injury could result.

Refer to Figure A at the beginning of this manual for a complete list of components.

INTENDED USE

This table saw is intended for use by construction professionals for use in ripping, crosscutting, mitering, beveling and non-through cutting applications in wood, plastic, and other soft materials.

DO NOT use for cutting metal, cement board, or masonry.

DO NOT use dado or shaping cutter heads on this saw.

DO NOT use under wet conditions or in presence of flammable liquids or gases.

DO NOT let children come into contact with the tool. Supervision is required when inexperienced operators use this tool.

ASSEMBLY

WARNING: Shock Hazard. To reduce the risk of serious personal injury, turn unit off and disconnect the battery pack before attempting to move it, change accessories or make any adjustments. An accidental start-up can cause injury.

Assembly Order (Fig. A)

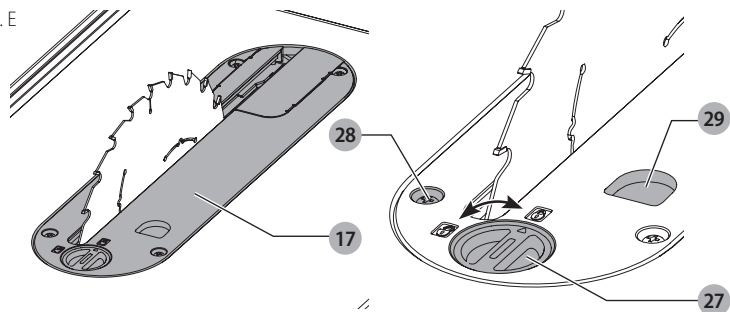
1. Unlock and remove the throat plate **17**. Refer to: **Removing the Throat Plate** section.
2. Make sure blade is installed correctly and arbor nut is tight. Use wrenches **21** stored on the tool. Refer to Figure A.
3. Position the blade guard assembly **11**.
4. Attach anti-kickback assembly **14** to the guard assembly.
5. Install and lock throat plate **17**. (**NOTE:** Adjust leveling screws before proceeding. Refer to **Installing the Throat Plate**.)
6. Attach the rip fence **18**. (**NOTE:** Adjust rip scale before proceeding. Refer to **Adjusting the Rip Scale**.)

NOTE: To attach this table saw to a stand, please follow the instructions included with the stand assembly.

Installing the Throat Plate (Fig. E)

1. Align the throat plate **17** as shown in Figure E, and insert the tabs on the back of the throat plate into the holes on the back of the table opening.
2. Rotate cam counterclockwise until the front of throat plate drops into place. Secure by rotating cam lock knob **27** clockwise 1/4 turn (when cam lock is under the table holding the throat plate in place).
3. The throat plate includes four adjustment screws **28** which raise or lower the throat plate. When properly adjusted, the front of the throat plate should be flush or slightly below the surface of the table top and secured in place. The rear of the throat plate should be flush or slightly above the table top.

Fig. E



Removing the Throat Plate

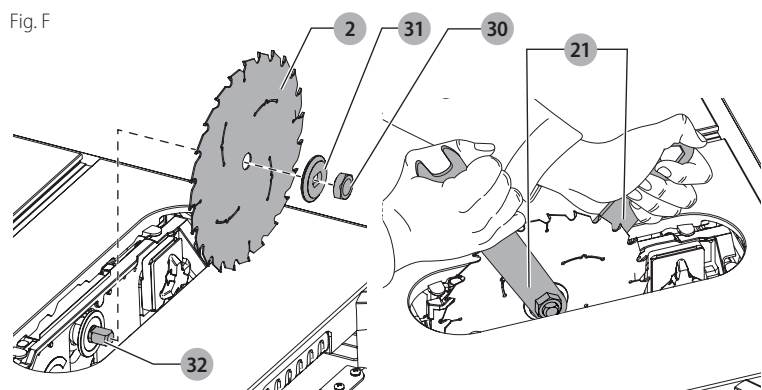
1. Remove the throat plate **17** by turning the cam lock knob **27** 1/4 turn counterclockwise.
2. Using finger hole **29** on the plate, pull throat plate up and forward to expose the inside of the saw. **DO NOT** operate the saw without the throat plate.

WARNING: To reduce the risk of serious personal injury, the throat plate must be locked in place at all times.

Installing/Replacing the Blade (Fig. A, E, F)

1. Raise the saw blade arbor to its maximum height by turning the blade height adjustment wheel **6** clockwise.
2. Remove the throat plate **17**.
3. Remove the arbor nut **30** and clamp washer **31** from the saw arbor by turning counterclockwise.

Fig. F



4. Place the saw blade on to the arbor **32** making sure the teeth of the blade **2** point down at the front of the table. Assemble the clamp washer **31** and arbor nut to the arbor and tighten arbor nut **30** as far as possible by hand, making sure that the saw blade is against the inner flange and the clamp washer is against the blade. Ensure the largest diameter of the clamp washer is against the blade. Ensure the arbor and clamp washer are free from dust and debris.
5. Use the open end of the wrench **21** to keep the arbor from rotating when tightening the arbor nut.
6. Using the other wrench, tighten the arbor nut **30** by turning it clockwise.
7. **NOTE:** Different types of blades make different kerfs (width of cuts). Therefore, it is necessary to check adjustment of rip scale when changing blades. Replacement blade **MUST** not exceed the thickness stated on the riving knife. The riving knife provided with the saw is 1.6 mm thick.

Installing/Removing the Blade Guard Assembly and Riving Knife (Fig. G)

WARNING: Use blade guard assembly for all thru-sawing.

NOTE: The saw is shipped with the non thru sawing riving knife installed.

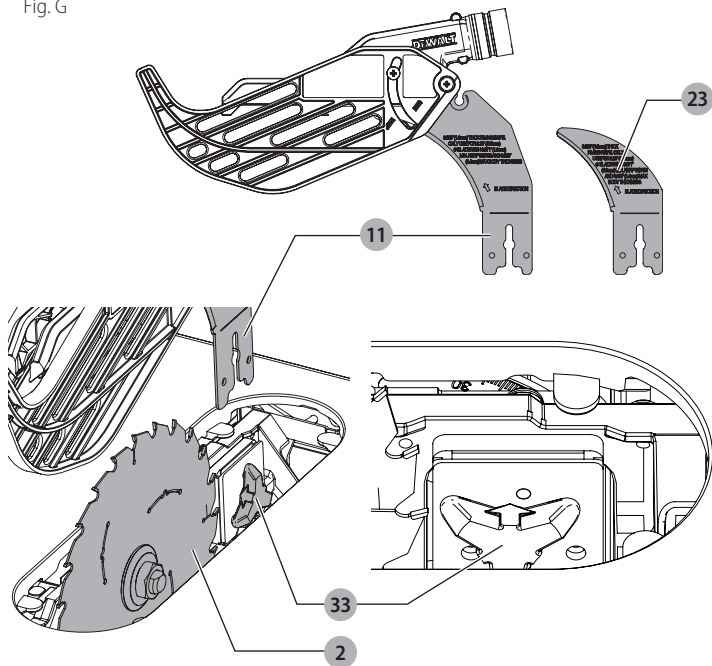
1. Raise the saw blade arbor to its maximum height.
2. Loosen the riving knife lock knob **33** (minimum of three turns).
3. To disengage riving knife lock pin, push lock knob toward the riving knife as indicated by the yellow arrows on the knob.
4. While pushing the lock knob, lift the riving knife out of the clamp. Then slide the blade guard assembly into the clamp until it bottoms out.

WARNING: Do not insert both blade guard assembly and riving knife into the clamp at the same time.

5. Release the lock knob to engage the lock pin. Give the blade guard a slight pull upwards to ensure pin is engaged.
6. Tighten the riving knife lock knob.
7. Reinstall the throat plate.
8. To remove the bladed guard assembly, follow these steps in reverse order.

NOTE: Follow the same steps above for riving knife installation.

Fig. G



WARNING: Before inserting the battery into the table saw or operating the saw, always inspect the blade guard assembly and riving knife for proper alignment and clearance with saw blade. Check alignment after each change of bevel angle.

NOTE: DO NOT operate saw if riving knife lock pin is not locked into the blade guard or riving knife.

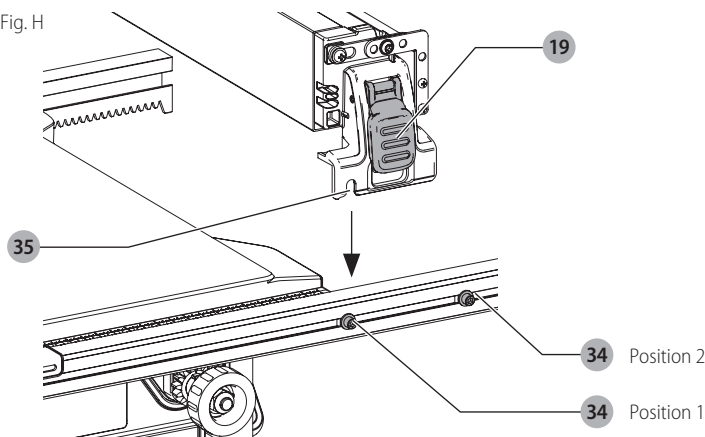
When properly aligned, the riving knife will be in line with the blade at both table top level, and at the top of the blade. Using a straight edge, ensure that the blade 2 is aligned with the riving knife 23 as shown in Figure G. Operate the blade tilt and height adjustments through the extremes of travel and ensure the blade guard assembly clears the blade in all operations and that the anti-kickback assembly is functioning.

Assembling the Rip Fence (Fig. H)

The rip fence can be installed in two positions on the right (position 1 for 0° to 20° ripping, and position 2 for 4° to 24° ripping) and one position on the left of your table saw.

1. Align the locator pins 34 on the fence rails with the slots 35 on each fence end.
2. Place fence onto the rail as shown in Figure H maintaining pin and slot alignment on both ends of the fence.
3. Secure the rip fence by snapping down the latches 19 to the rails. Be sure to snap both front and rear latches in place.

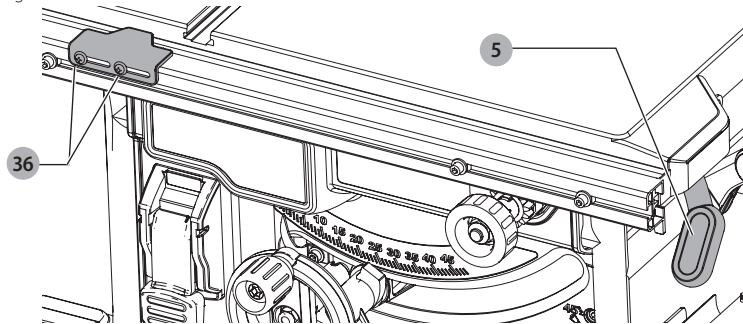
Fig. H



Adjusting the Rip Scale (Fig. I)

1. Unlock the rail lock lever 5.
2. Set the blade at 0° bevel and move the fence in until it touches the blade.
3. Lock the rail lock lever.
4. Loosen the rip scale indicator screws 36 and set the rip scale indicator to read zero (0). Retighten the rip scale indicator screws. The yellow rip scale (top) reads correctly only when the fence is mounted on the right side of the blade and is in position 1 (for 0 to 20° ripping) [not the 24° rip position]. The white scale (bottom) reads correctly only when the fence is mounted on the right side of the blade and in position 2 (for 4° to 24° ripping). A metric scale is available at an additional cost, refer to **Accessories** for details.

Fig. I



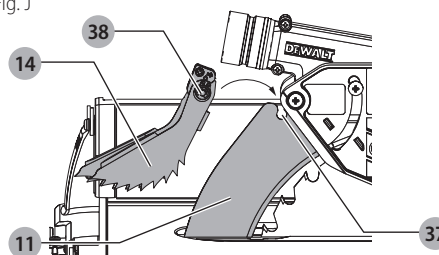
Anti-Kickback Assembly (Fig. J)

WARNING: To reduce the risk of serious personal injury, the anti-kickback assembly must be in place for all possible cuts.

1. Remove the anti-kickback assembly 14 from the storage position by depressing the stem. Refer to **Storage**.
2. Locate the anti-kickback mounting slot 37 at the top rear of the blade guard assembly 11.
3. Align the stem 38 with the mounting slot. Depress the stem and push down on the anti-kickback assembly 14 until it snaps and locks into place.
4. To remove the anti-kickback assembly, depress the stem and pull up and out of the mounting slot.

With battery removed, operate the blade tilt and height adjustments through the extremes of travel and ensure the blade guard assembly clears the blade in all operations and that the anti-kickback assembly is functioning.

Fig. J



Bench Mounting (Fig. A)

NOTE: A portable table saw stand is designed for use with this saw and is available at a local DeWALT dealer or service center at extra cost.

WARNING: To reduce the risk of serious personal injury, turn unit off and remove the battery pack before making any adjustments or removing/installing attachments or accessories. An accidental start-up can cause injury.

WARNING: To reduce the risk of injury, the saw must be secured to prevent unintended movement during use.

The table saw must be securely mounted on a stand, workbench or other rigid and stable support so that the saw does not move while cutting and cannot be overturned by large overhanging pieces of material. Four mounting holes 9 are provided in the metal frame to allow the table saw to be secured to a stand or other means of support.

1. Center the saw on the desired, stable work surface.
2. Drive four 3-1/2" (88.9 mm) long screws through the holes 9 in the metal frame. Make sure the screws extend through the frame and securely attach to the supporting work surface. **NOTE:** If marring the supporting work surface is a concern, the table saw can be mounted to scrap wood which can then be clamped onto the desired work surface.
3. Cut a piece of 3/4" (19 mm) plywood to fit beneath the footprint of the saw.
4. Screw the saw to the plywood and clamp the overhang of the plywood to the work surface. If the screws protrude through the plywood base, set it on two scrap pieces of material of equal thickness and attach them to the edges of the plywood to hold the saw further off of the work surface and prevent the screws from marring the surface.

ASSEMBLY AND ADJUSTMENTS

WARNING: To reduce the risk of serious personal injury, turn unit off and remove the battery pack before making any adjustments or removing/installing attachments or accessories. An accidental start-up can cause injury.

NOTE: This saw is fully and accurately adjusted at the factory at the time of manufacture. If readjustment due to shipping and handling or any other reason is required, follow the sections below to adjust this saw.

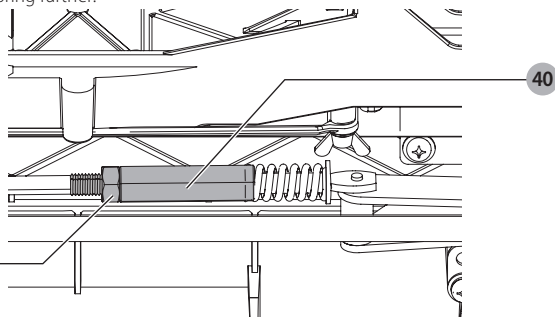
Once made, these adjustments should remain accurate. Take a little time now to follow these directions carefully to maintain the accuracy of which this saw is capable.

Rail Lock Adjustment (Fig. I, K) (Tightening Fence Clamping System)

1. Lock the rail lock lever 5.
2. On the underside of the saw, loosen the jam nut 39.

- Tighten the hex rod **40** until the spring on the locking system is more compressed, (not fully compressed) creating the desired tension on the rail lock lever. Retighten the jam nut against the hex rod.
- Check that the fence does not move when the lock lever is engaged. If the fence is still loose, tighten the spring further.

Fig. K



Rip Scale Adjustment

See *Adjusting the Rip Scale* under *Assembly*.

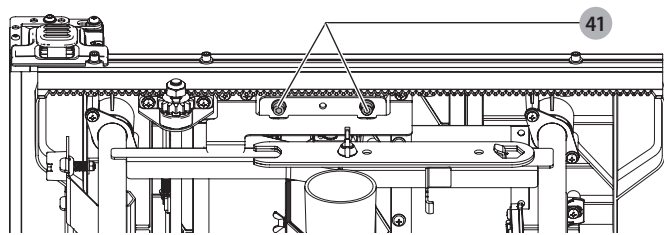
Adjusting Blade Alignment (Fig. L) (Blade Parallel to Miter Slot)

⚠ WARNING: Cut Hazard. Check the blade at 0° and 45° to make sure blade does not hit the throat plate, causing personal injury.

If the blade appears to be out of alignment with the miter slot on the table top, it will require calibration for alignment. To realign the blade and miter slot, use the following procedure:

⚠ WARNING: To reduce the risk of serious personal injury, turn unit off and remove the battery pack before making any adjustments or removing/installing attachments or accessories. An accidental start-up can cause injury.

Fig. L

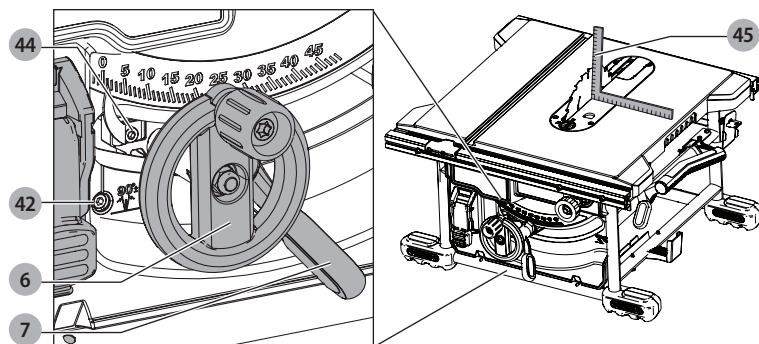


- Using a 5 mm hex wrench, loosen rear pivot bracket fasteners **41** just enough to allow the bracket to move side-to-side.
- Adjust the bracket until the blade is parallel to the miter gauge slot.
- Tighten the rear pivot bracket fasteners to 110–120 in-lbs (12.5–13.6 Nm).

Bevel Stop and Pointer Adjustment (Fig. M)

- Raise the blade fully by rotating the blade height adjustment wheel **6** clockwise until it stops.
- Unlock the bevel lock lever **7** by pushing it up and to the right. Loosen the bevel stop screw **42**.
- Place a square **45** flat against the table top and against the blade between teeth, as shown in Figure M. Ensure the bevel lock lever is in its unlocked, or up, position.
- Using the bevel lock lever, adjust the bevel angle until it is flat against the square.
- Tighten the bevel lock lever by pushing it down.
- Turn the bevel stop screw **42** to rotate the cam until it firmly contacts the bearing block. Tighten the bevel stop screw **42**.
- Check the bevel angle scale. If the pointer does not read 0°, loosen pointer screw **44** and move the pointer so it reads correctly. Retighten the pointer screw.
- Repeat at 45°, but do not adjust pointer.

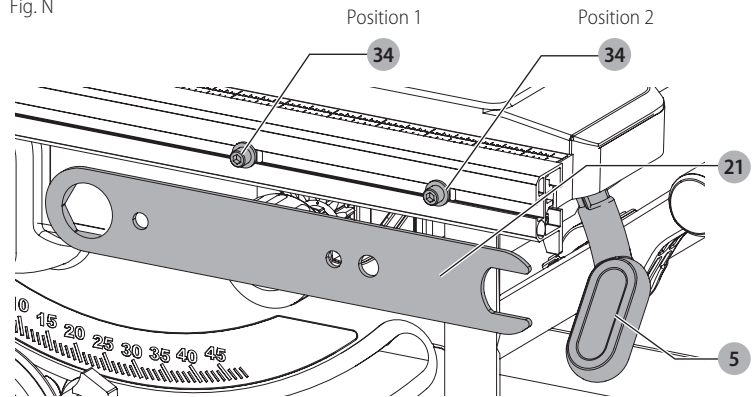
Fig. M



Fence Alignment Adjustment (Fig. H, N) (Blade Parallel to Fence)

If you experience fence alignment problems and want to correct an out of parallel alignment between the fence and the blade, be sure to check the alignment of the blade to the miter slot first. After confirming that those elements are aligned, proceed with alignment of the blade to the fence using the following procedure:

Fig. N



Position 1 Fence Alignment

- Install the fence in position 1 (Refer to Figure H) and unlock the rail lock lever **5**. Locate both locator pins **34** that support the fence on the front and rear rails.
- Loosen the rear locator pin screw and adjust the alignment of the fence in the groove until the fence face is parallel to the blade. Make sure you measure from the fence face to the front and back of the blade to ensure alignment.
- Tighten the locator pin screw.
- Check rip scale pointer adjustment.

NOTE: Follow the **Position 1 Fence Alignment** instructions for aligning the fence on the left of the blade.

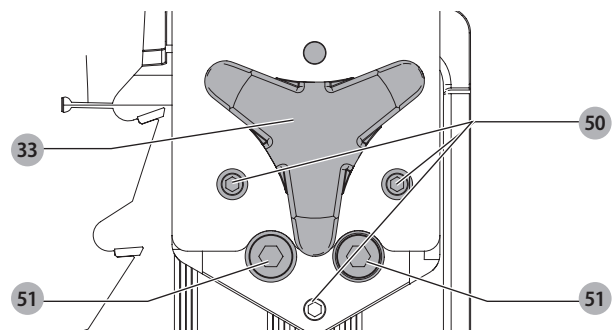
Position 2 Fence Alignment

- To align position 2 fence locator pins, ensure position 1 pins have been aligned, refer to **Position 1 Fence Alignment**.
- Loosen the position 2 locator pins, then using holes in the blade wrench **21** as a guide for positioning, align the pins (Fig. N).
- Tighten the locator pins (front and rear).

Aligning Riving Knife to Blade (Fig. O)

- Remove the throat plate. Refer to **Removing the Throat Plate** under **Assembly**.
- Raise the blade to full depth of cut and 0° bevel angle.
- Locate the three small set screws **50** adjacent to the riving knife lock knob **33**. These screws will be used to adjust the riving knife position.
- Lay a straight edge on the table against two blade tips. The riving knife should not touch the straight edge.
- If needed, loosen the two larger lock screws **51**.
- Use the small set screws **50** to adjust the riving knife position. Lay the straight edge on the opposite side of the blade and repeat adjustments as needed.
- Lightly tighten the two larger lock screws **51**.
- Place a square flat against the riving knife to verify the riving knife is vertical and in-line with the blade.
- If needed, use the set screws to bring the riving knife vertical with the square.
- Repeat step 4 to verify position of riving knife. Repeat 5 thru 9 if necessary.
- Fully tighten the two larger lock screws **51**.

Fig. O



Saw Blades

⚠ WARNING: Riving knives must be matched to saw blade dimensions in order to function effectively. Refer to Splitter and Riving Knife Selection. Use only 8-1/4" (210mm) diameter blades with this table saw.

- The saw blade furnished with your new saw is a 8-1/4" (210 mm) combination blade, used for crosscutting (across the grain) and ripping (with the grain) through the material. The center hole to fit on the arbor is 5/8" (16 mm) diameter. This blade will produce a good quality cut for most applications.
- There are many types of blades available to do specific and special jobs such as cross cut only, rip only, hollow ground, thin plywood, paneling, etc.
- Use only saw blades designed for maximum safe operating speeds of 6,000 RPM or greater.
- Saw blades should always be kept sharp. It is recommended that you locate a reputable sharpening service to sharpen your blades when needed.
- Never stack blades on top of one another to store. Place material such as cardboard between them to keep the blades from coming in contact with one another.

WARNING: To reduce the risk of injury, abrasive wheels or blades (including diamond) should not be used on this saw.

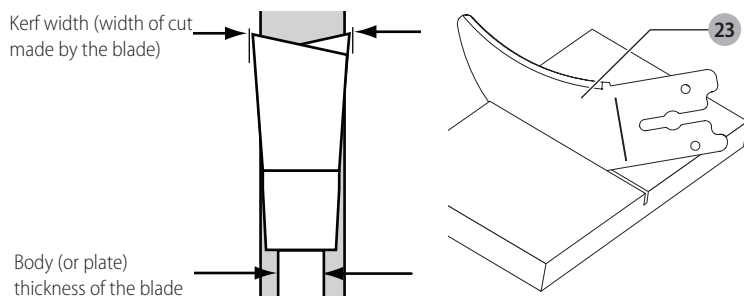
Splitter and Riving Knife Selection (Fig. P)

WARNING: To minimize the risk of kickback and to ensure proper cutting, the splitter and riving knife must be the proper thickness for the blade used.

The splitter and riving knife supplied with this table saw is the correct size for the blade supplied with the saw.

If a different blade is used, check the blade body (plate) thickness and the blade kerf (cutting) width marked on the blade or on the blade packaging. The splitter and riving knife thickness must be greater than the body thickness and less than the kerf width as shown in Figure P.

Fig. P Riving knife thickness



The riving knife provided with this saw is marked as follows:

.063" (1.6mm) THICK RIVING KNIFE. ONLY FOR USE WITH 8 1/4" (210mm) BLADE WITH .071" (1.8mm) MIN KERF WIDTH AND .055" (1.4mm) MAX BODY THICKNESS.

Blade body thickness and kerf width dimensions for all DeWALT table saw blades are available at www.dewalt.com

If a different blade is used and the body thickness and kerf width dimensions are not provided, use the following procedure to determine the correct riving knife thickness:

1. Measure the body thickness of the blade.
2. Make a shallow cut in scrap material and measure the kerf width.
3. Select the riving knife **23**.
4. Slide the riving knife through the shallow cut made in step 2 to confirm the correct riving knife has been selected. The riving knife should not bind or drag through the cut.

WARNING: If any dragging or binding of the material is encountered as it reaches the riving knife, turn unit off and remove the battery pack. Repeat steps 1–4 to make the proper riving knife selection before attempting another cut.

Kickback

Kickback is a dangerous condition! It is caused by the workpiece binding against the blade. The result is that the workpiece can move rapidly in a direction opposite to the feed direction. During kickback, the workpiece could be thrown back at the operator. It can also drag the operator's hand back into the blade if the operator's hand is at the rear of the blade. If kickback occurs, turn the saw OFF and verify the proper functioning of the riving knife, anti-kickback assembly and blade guard assembly before resuming work.

WARNING: See **Additional Safety Rules for Table Saws** and follow all warnings provided regarding KICKBACK.

OPERATION

WARNING: To reduce the risk of serious personal injury, turn unit off and remove the battery pack before making any adjustments or removing/installing attachments or accessories. An accidental start-up can cause injury.

WARNING: Before using the saw, verify the following each and every time:

- **ALWAYS** wear proper eye, hearing and respiratory equipment.
- Blade is securely tightened.
- Bevel angle and rail lock levers are locked.
- If ripping, ensure that rip fence locked lever is locked and that the fence is parallel to the blade.
- If crosscutting, miter gage knob is securely tightened.
- The blade guard assembly is properly attached and the anti-kickback assembly is functioning.

- **ALWAYS** inspect the blade guard assembly and riving knife for proper alignment, operation and clearance with saw blade.
- **ALWAYS** make sure both guards are in the down position in contact with the table before operating.

WARNING: To reduce the risk of serious personal injury, have push stick ready to use before starting cut.

Failure to adhere to these common safety rules can greatly increase the likelihood of injury.

WARNING: Before installing the battery in the table saw or operating the saw, always inspect the blade guard assembly and riving knife for proper operation alignment and clearance with saw blade.

WARNING: Ripping or crosscutting may cause saw to tip over while operating. Make sure saw is securely mounted to a stable surface.

WARNING: Never use the fence and miter gage together. This may cause a kickback condition and injure the operator.

CAUTION: If this saw makes an unfamiliar noise or if it vibrates excessively, cease operating immediately, turn unit off and remove the battery pack until the problem has been located and corrected. Contact a DeWALT factory service center, a DeWALT authorized service center or other qualified service personnel if the problem cannot be found.

WARNING: The proper throat plate must be in place at all times to reduce the risk of a thrown workpiece and possible injury.

There are two basic types of cutting with table saws: ripping and crosscutting. Regardless of material, man made or natural wood, the distinction between ripping and crosscutting is as follows: Ripping is cutting to a different width (usually with the grain) and crosscutting describes cutting material across the shorter dimension (usually against the grain).

WARNING: When ripping, always use the fence to provide a guide for the material and blade guard assembly to protect against a kickback situation.

WARNING: Never perform any cutting operation free hand. Never perform plunge cutting.

WARNING: When crosscutting, always use the miter gage. Do not use both the rip fence and miter gage together.

Installing and Removing the Battery Pack (Fig. Q)

NOTE: For best results, make sure your battery pack is fully charged.

To install the battery pack **12** into the tool, align the battery pack with the rails inside the tool and slide it in until the battery pack is firmly seated and ensure that it does not disengage.

To remove the battery pack from the tool, press the release button **13** and firmly pull the battery pack out of the tool. Insert it into the charger as described in the charger section of this manual.

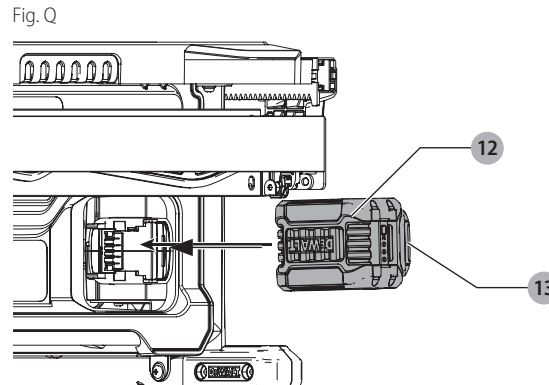


Fig. Q

On-Off Switch Operation (Fig. R)

WARNING: To reduce the risk of injury, be sure the switch is in the OFF position before installing the battery.

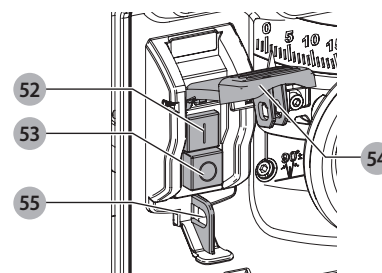
Lift the red paddle and push green button **52** in to turn this saw on.

Push the red button **53** or push down the red paddle **54** to turn this saw off.

Locking Off the Saw

The On-Off switch may be locked to prevent unauthorized operation of the saw. To lock the switch in the Off position, insert a padlock through the red handle and hole **55**. Padlock must not exceed a maximum diameter of 1/4" (6.35 mm).

Fig. R



Guard Operating Feature (Fig. S)

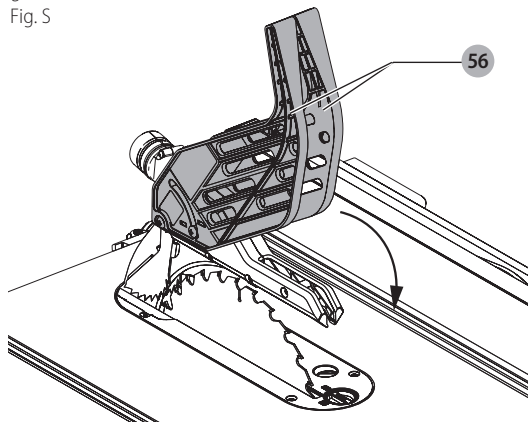
WARNING: To reduce the risk of serious personal injury, turn unit off and remove the battery pack before making any adjustments or removing/installing attachments or accessories. An accidental start-up can cause injury.

1. The guard arms 56 will lock in place when in the raised position.
2. This feature improves visibility when measuring the blade to fence distance.
3. Push down on guard(s) and they will release to the operating position.

NOTE: Pull on the anti-kickback assembly to ensure it is locked in place.

ALWAYS make sure both guards are in the down position in contact with the table before operating.

Fig. S



Rip Fence Operation (Fig. A, T)

Rail lock lever (Fig. A)

The rail lock lever 5 locks the fence in place preventing movement during cutting. **To lock the rail lever**, push it down and toward the rear of the saw. **To unlock**, pull it up and toward the front of the saw.

WARNING: When ripping, always lock the rail lock lever.

Work Support Extension/Narrow Ripping Fence (Fig. T)

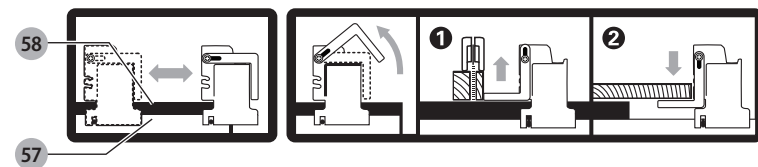
The table saw is equipped with a narrow ripping fence that also supports work that extends beyond the saw table.

To use the narrow ripping fence in the work support position, rotate it from its stored position as shown in Figure T, and slide the pins into the lower sets of slots 57 on both ends of the fence.

To use the narrow ripping fence in the narrow ripping position, snap the pins into the upper sets of slots 58 on both ends of the fence.

This feature will allow 2" (51 mm) of extra clearance to the blade. Refer to figure T.

Fig. T



NOTE: When not in use, the narrow ripping fence should be placed in its stored position.

NOTE: This fence will allow the guard to remain on the saw when completing narrow ripping. This fence will provide ample space for a push stick.

Fine Adjustment Knob (Fig. A)

The fine adjustment knob 4 allows smaller adjustments when setting the fence. Before adjusting, be sure the rail lock lever is in its up or unlocked position.

Rip Scale Pointer

The rip scale pointer will need to be adjusted for proper performance of the rip fence if the user switches between thick and thin kerf blades. The rip scale pointer only reads correctly for position 1 (0 to 24"), however for position 1 with narrow rip fence in use add 2" (51 mm). See **Adjusting the Rip Scale** under **Assembly**.

Ripping (Fig. U)

WARNING: Never touch the "free end" of the workpiece or a "free piece" that is cut off, while the power is ON and/or the saw blade is rotating. Piece may contact the blade resulting in a thrown workpiece and possible injury.

WARNING: A rip fence should **ALWAYS** be used for ripping operations to prevent loss of control and personal injury. **NEVER** perform a ripping operation freehand. **ALWAYS** lock the fence to the rail.

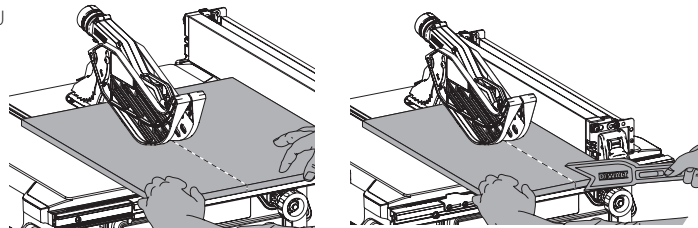
WARNING: When bevel ripping and whenever possible, place the fence on the side of the blade so that the blade is tilted away from the fence and hands.

WARNING: Keep hands clear of the blade.

WARNING: Use a push stick to feed the workpiece if there is 2–6" (51–152 mm) between the fence and the blade. Use a narrow ripping fence feature and push block to feed the workpiece if there is 2" (51 mm) or narrower between the fence and the blade.

1. Lock the rip fence by pressing the rail lock lever down. Remove the miter gauge.
2. Raise the blade so it is about 1/8" (3.2 mm) higher than the top of the workpiece.
3. Hold the workpiece flat on the table and against the fence. Keep the workpiece about 1" (25.4 mm) away from the blade.

Fig. U



WARNING: The workpiece must have a straight edge against the fence and must not be warped, twisted or bowed. Keep both hands away from the blade and away from the path of the blade. See proper hand position in Figure U.

4. Turn the saw on and allow the blade to come up to speed. Both hands can be used in starting the cut. When there is approximately 12" (305 mm) left to be ripped, use only one hand, with your thumb pushing the material, your index and second finger holding the material down and your other fingers hooked over the fence. Always keep your thumb along side your first two fingers and near the fence.
5. Keeping the workpiece against the table and fence, slowly feed the workpiece rearward all the way through the saw blade. Continue pushing the workpiece until it is clear of the blade guard assembly and it falls off the rear of the table. Do not overload the motor.
6. Never try to pull the workpiece back with the blade turning. Turn the switch off, allow the blade to stop, raise the anti-kickback teeth on each side of the riving knife if necessary and slide the workpiece out.
7. When sawing a long piece of material or a panel, always use a work support. A sawhorse, rollers, or out feed assembly provides adequate support for this purpose. The work support must be at the same height or slightly lower than the saw table.

WARNING: Never push or hold onto the free or cut-off side of the workpiece if it is between the blade and the fence.

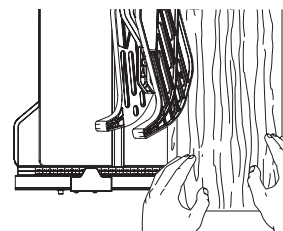
Ripping Small Pieces

It is unsafe to rip small pieces. It is not safe to put your hands close to the blade. Instead, rip a larger piece to obtain the desired piece. When a small width is to be ripped and the hand cannot be safely put between the blade and the rip fence, use one or more push sticks. A pattern is included at the end of this manual to make push sticks. A push stick 22 is included with this saw, attached to the rip fence. Use the push stick(s) to hold the workpiece against the table and fence, and push the workpiece fully past the blade. The narrow ripping fence feature on the table saw may be used for some narrow rip cuts. You may also use an auxiliary narrow rip fence. Instructions for making an auxiliary fence are provided in the back of the manual.

Bevel Ripping

This operation is the same as ripping except the bevel angle is set to an angle other than zero degrees. For proper hand position, Refer to figure V.

Fig. V



WARNING: Before installing the battery pack or operating the saw, always inspect the blade guard assembly and riving knife for proper alignment and clearance with saw blade. Check alignment after each change of bevel angle.

Crosscutting (Fig. V)

WARNING: NEVER use rip fence in combination with miter gage.

WARNING: NEVER touch the "free end" of the workpiece or a "free piece" that is cut off, while the power is ON and/or the saw blade is rotating. Piece may contact the blade resulting in a thrown workpiece and possible injury.

WARNING: To reduce the risk of injury, NEVER use the fence as a guide or length stop when crosscutting.

WARNING: NEVER use a length stop on the free end of the workpiece when crosscutting. In short, the cut-off piece in any thru-sawing (cutting completely through the workpiece)

operation must never be confined — it must be allowed to move away from saw blade to prevent contact with blade resulting in a thrown workpiece and possibly injury.

WARNING: Use caution when starting the cut to prevent binding of the blade guard assembly against the workpiece resulting in damage to saw and possible injury.

WARNING: When using a block as a cut-off gauge, the block must be at least 3/4" (19 mm) thick and is very important that the rear end of the block be positioned so the workpiece is clear of the block before it enters the blade to prevent contact with blade resulting in a thrown workpiece and possibly injury.

1. Remove the rip fence and place the miter gauge in the desired slot.
2. Adjust the blade height so that the blade is about 1/8" (3.2 mm) higher than the top of the workpiece.
3. Hold the workpiece firmly against the miter gauge **10** with the path of the blade in line with the desired cut location. Keep the workpiece an inch or so in front of the blade. KEEP BOTH HANDS AWAY FROM THE BLADE AND THE PATH OF THE BLADE (Fig. V).
4. Start the saw motor and allow the blade to come up to speed.
5. While using both hands to keep the workpiece against the face of the miter gauge, and holding the workpiece flat against the table, slowly push the workpiece through the blade.
6. Never try to pull the workpiece with the blade turning. Turn the switch off, allow the blade to stop, and carefully slide the workpiece out.

WARNING: Never touch or hold onto the free or cut-off end of the workpiece.

Bevel Crosscutting

This operation is the same as crosscutting except that the bevel angle is set to an angle other than 0°.

WARNING: Before connecting installing the battery pack or operating the saw, always inspect the blade guard assembly and riving knife for proper alignment and clearance with saw blade. Check alignment after each change of bevel angle.

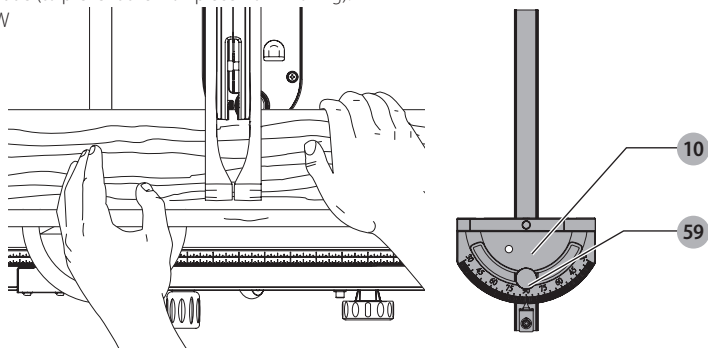
Mitering (Fig. W)

WARNING: Miter angles greater than 45° may force the blade guard assembly into the saw blade causing damage to the blade guard assembly and personal injury. Before starting the motor, test the operation by feeding the workpiece into the blade guard assembly. If the blade guard assembly contacts the blade, place the workpiece under the blade guard assembly, not touching the blade, before starting the motor.

WARNING: Certain workpiece shapes, such as molding may not lift the blade guard assembly properly. Feed the workpiece slowly to start the cut. If the blade guard assembly contacts the blade, place the workpiece under the blade guard assembly, not touching the blade, before starting the motor.

This operation is the same as crosscutting except the miter gauge is locked at an angle other than 0°. Hold the workpiece FIRMLY against the miter gauge **10** and feed the workpiece slowly into the blade (to prevent the workpiece from moving).

Fig. W



Miter Gauge Operation

To set your miter gauge:

1. Loosen the miter gauge lock knob **59**.
2. Move the miter gauge to the desired angle.
3. Tighten the miter gauge lock knob.

Compound Mitering

This is a combination of bevel crosscutting and mitering. Follow the instructions for both bevel crosscutting and mitering.

Dust Collection (Fig. X)

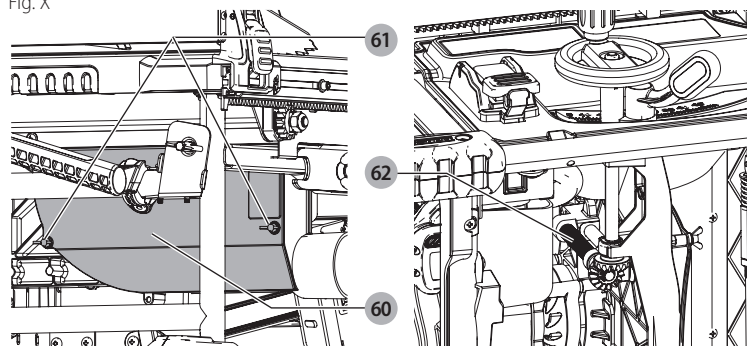
This table saw is equipped with a dustshroud and dust collection port. For best results, connect a vacuum to the port at the rear of the saw and on the guard using a Y connector. The Y connector is available as an accessory at additional cost. Refer to **Accessories**.

NOTICE: Care should be taken to position hoses to not interfere with cutting operation.

WARNING: To prevent accidental start up, remove battery from the saw before cleaning out dust collection system.

1. Turn the saw on its side, so the bottom, open part of the unit is accessible.
2. Open the dust access door **60** shown by removing 2 wingscrews **61** and detaching the door. Clean out the excess dust, and re-attach door, securing it with the wing screws.

Fig. X



Motor Overload and Power Loss Reset Switch

If power is interrupted by a dead battery or power is lost, the saw contains a power loss reset switch feature that will automatically reset to OFF position.

Short battery life is often the result of a dull blade. Change your blade on a regular basis to increase battery life.

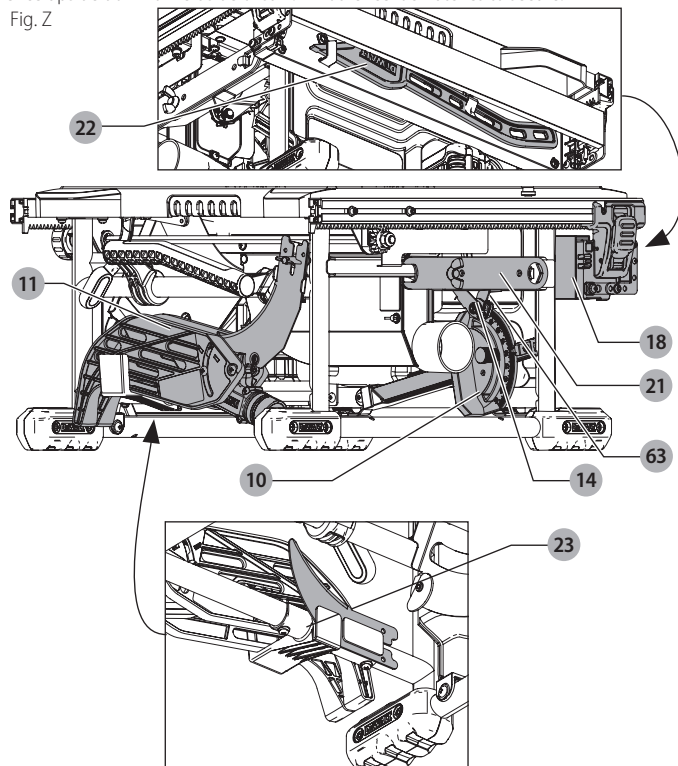
Lubrication (Fig. X)

1. All motor bearings are permanently lubricated at the factory and no additional lubrication is needed.
2. The height adjustment screw may require periodic cleaning and lubrication. If you have difficulty raising or lowering the blade:
 - a. Remove the battery from the saw.
 - b. Turn the saw on its side, so the bottom, open part of the unit is accessible.
 - c. Clean and lubricate the height adjustment screw threads **62** on the underside of this saw with general purpose grease. Refer to Figure X.

STORAGE (FIG. Z)

1. Attach push stick **22** to fence.
2. Depress the stem on the anti-kickback assembly **14** to allow the assembly to slide from the riving knife slot.
3. Position anti-kickback assembly into storage as shown. While depressing stem, slide the anti-kickback assembly across the storage bracket **63** and release pin to lock into place.
4. Remove blade guard assembly **11**. Refer to **Installing/Removing the Blade Guard Assembly and Riving Knife**. Place blade guard assembly into holder as shown, then turn lock 1/4 turn to lock in place.
5. Slide closed end of blade wrenches **21** into catch then secure in place with wing nut.
6. Insert guide bar of miter gauge **10** into pocket until it bottoms out.
7. Non thru-sawing riving knife **23** slides in place on back side of guard storage clip.
8. To store fence **18**, snap work support in stored position. Remove fence from rails. Reattach fence upside down on left side of saw. Pivot fence lock latches to secure.

Fig. Z



Accessory Construction for Alternative Operation Methods

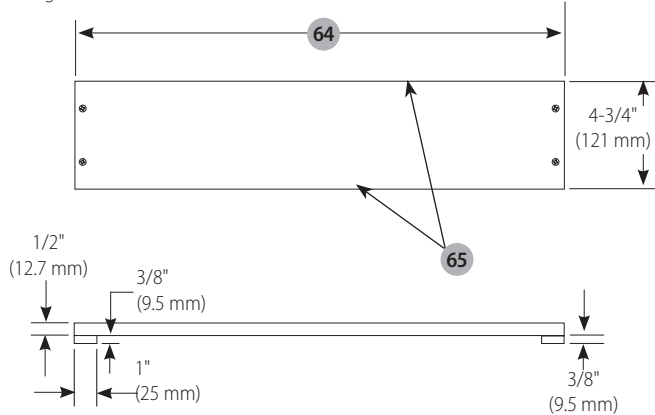
Narrow Rip Auxiliary Fence (Fig. AA-CC)

The narrow rip auxiliary fence should be used for a rip measuring 2" (51 mm) or narrower. This fence will allow the guard to remain on the saw when completing narrow ripping. This fence will provide ample space for proper use of a push block (66, see **Push Block**).

1. Follow the diagram in Fig. AA to construct the narrow rip auxiliary fence 69.

NOTE: The length should be cut to fit the length 64 of the saw table top and sides 65 must be parallel.

Fig. AA



2. After the narrow rip auxiliary fence is constructed, slip it over the saw table top and place it flush to the fence as shown in Figure CC.
3. Feed the workpiece through until the edge of the material reaches the front edge of the saw table top.
4. Continue feeding the material using the push block 66 until the cut is complete.

Push Block (Fig. BB, CC)

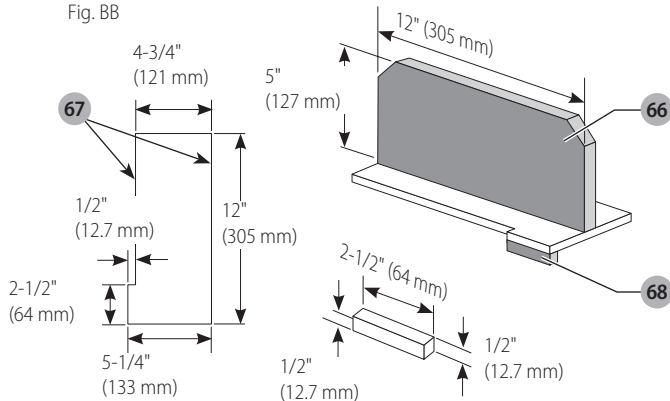
IMPORTANT: Only use the push block 66 with the narrow rip auxiliary fence, refer to **Narrow Rip Auxiliary Fence**. The push block should be used once the material being cut reaches the saw table top.

1. Construct a push block using the diagram in Figure BB.

NOTE: Edges 67 must be parallel.

IMPORTANT: The over hanging edge 68 Fig. BB) MUST be square. An uneven lip could cause the push block to slip or push the material away from the fence.

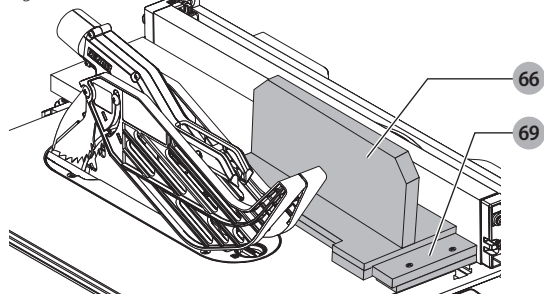
Fig. BB



2. Place the push block 66 (Fig. CC) behind the material and ensure the lip of the block is flush to the narrow rip auxiliary fence 69.
3. Once the push block is in place, continue feeding the material until the cut is complete making sure the push block remains flush to the narrow rip auxiliary fence at all times.

IMPORTANT: The narrow rip auxiliary fence and the over hanging edge 68 Fig. BB) should both be the same thickness.

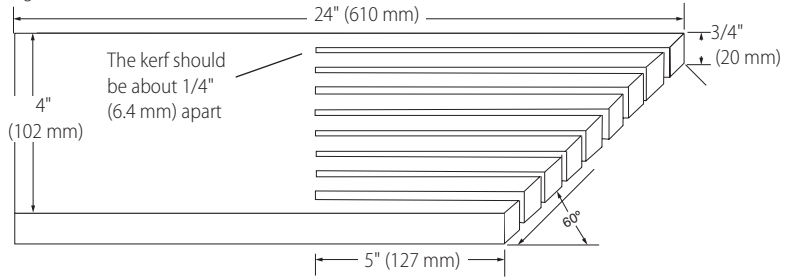
Fig. CC



Featherboard Construction (Fig. DD, EE)

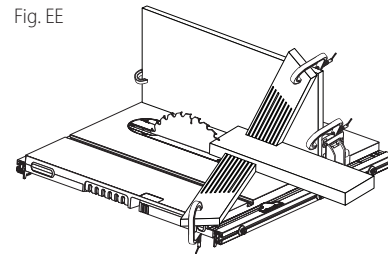
Featherboards are used to keep the work in contact with the fence and table, and help prevent kickbacks. Dimensions for making a typical featherboard are shown in Figure DD. Make the featherboard from a straight piece of wood that is free of knots and cracks. Clamp the featherboard to the fence and table so that the leading edge of the featherboard will support the workpiece until the cut is complete (Fig. EE). An 8" (203 mm) high flat board can be clamped to the rip fence and the featherboard can be clamped to the 8" (203 mm) high board.

Fig. DD



WARNING: Use featherboards for all non thru-sawing operations where the blade guard assembly, anti-kickback assembly and riving knife cannot be used. **Always replace the blade guard assembly, anti-kickback assembly and riving knife when the non thru-sawing operation is complete.** Make sure the featherboard presses only on the portion of the workpiece in front of the blade.

Fig. EE



MAINTENANCE

WARNING: To reduce the risk of serious personal injury, turn unit off and remove the battery pack before making any adjustments or removing/installing attachments or accessories. An accidental start-up can cause injury.

Cleaning

WARNING: Blow dirt and dust out of all air vents with clean, dry air at least once a week. To minimize the risk of eye injury, always wear ANSI Z87.1 approved eye protection when performing this.

WARNING: Never use solvents or other harsh chemicals for cleaning the non-metallic parts of the tool. These chemicals may weaken the plastic materials used in these parts. Use a cloth dampened only with water and mild soap. Never let any liquid get inside the tool; never immerse any part of the tool into a liquid.

Accessories

WARNING: Since accessories, other than those offered by DeWALT, have not been tested with this product, use of such accessories with this tool could be hazardous. To reduce the risk of injury, only DeWALT recommended accessories should be used with this product.

Recommended accessories for use with your tool are available at extra cost from your local dealer or authorized service center. If you need assistance in locating any accessory, please contact DeWALT Industrial Tool Co., 701 East Joppa Road, Towson, MD 21286, call 1-800-4-DeWALT (1-800-433-9258) or visit our website: www.dewalt.com.

- Compatible Stands (DWE74911)
- Metric rip scale (N458905)
- Dust extraction Y connector (contact your local dealer)

Repairs

The charger and battery pack are not serviceable.

WARNING: To assure product SAFETY and RELIABILITY, repairs, maintenance and adjustment (including brush inspection and replacement) should be performed by a DeWALT factory service center or a DeWALT authorized service center. Always use identical replacement parts.

Register Online

Thank you for your purchase. Register your product now for:

- **WARRANTY SERVICE:** Registering your product will help you obtain more efficient warranty service in case there is a problem with your product.
- **CONFIRMATION OF OWNERSHIP:** In case of an insurance loss, such as fire, flood or theft, your registration of ownership will serve as your proof of purchase.
- **FOR YOUR SAFETY:** Registering your product will allow us to contact you in the unlikely event a safety notification is required under the Federal Consumer Safety Act.

Register online at www.dewalt.com/register.

Three Year Limited Warranty

DeWALT will repair, without charge, any defects due to faulty materials or workmanship for three years from the date of purchase. This warranty does not cover part failure due to normal wear or tool abuse. For further detail of warranty coverage and warranty repair information, visit www.dewalt.com or call 1-800-4-DeWALT (1-800-433-9258). This warranty does not apply to accessories or damage caused where repairs have been made or attempted by others. This warranty gives you specific legal rights and you may have other rights which vary in certain states or provinces.

In addition to the warranty, DeWALT tools are covered by our:

1 YEAR FREE SERVICE

DeWALT will maintain the tool and replace worn parts caused by normal use, for free, any time during the first year after purchase.

2 YEARS FREE SERVICE ON DEWALT BATTERY PACKS

DC9071, DC9091, DC9096, DC9280, DC9360, DC9180,
DCB120, DCB127, DCB201, DCB203, DCB203BT, DCB207

3 YEARS FREE SERVICE ON DEWALT BATTERY PACKS

DCB200, DCB204, DCB204BT, DCB205, DCB606

NOTE: Battery warranty voided if the battery pack is tampered with in any way. DeWALT is not responsible for any injury caused by tampering and may prosecute warranty fraud to the fullest extent permitted by law.

90 DAY MONEY BACK GUARANTEE

If you are not completely satisfied with the performance of your DeWALT Power Tool, Laser, or Nailer for any reason, you can return it within 90 days from the date of purchase with a receipt for a full refund – no questions asked.

LATIN AMERICA: This warranty does not apply to products sold in Latin America. For products sold in Latin America, see country specific warranty information contained in the packaging, call the local company or see website for warranty information.

FREE WARNING LABEL REPLACEMENT: If your warning labels become illegible or are missing, call 1-800-4-DeWALT (1-800-433-9258) for a free replacement.

DCS7485

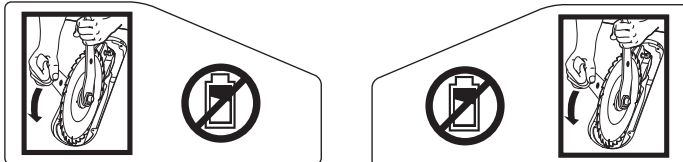
CORDLESS TABLE SAW

⚠ DANGER NEVER PLACE YOUR HANDS IN THE VICINITY OR IN LINE WITH THE SAW BLADE.
⚠ WARNING TO REDUCE THE RISK OF INJURY, USER MUST READ INSTRUCTION MANUAL BEFORE OPERATING SAW. WEAR EYE PROTECTION, ALWAYS USE PROPERLY FUNCTIONING SAW-BLADE GUARD, RIVING KNIFE AND ANTI-KICKBACK DEVICE FOR EVERY OPERATION FOR WHICH IT CAN BE USED. INCLUDING ALL THROUGH SAWING, USE A PUSH-STICK OR PUSH-BLOCK WHEN REQUIRED. DO NOT PERFORM ANY OPERATION FRESHAND. SUPPORT WORK WITH TABLE AND FENCE OR MITER GAGE – NEVER BOTH TOGETHER. DO NOT PLUNGE CUT. PAY PARTICULAR ATTENTION TO INSTRUCTIONS ON REDUCING RISK OF KICKBACK. NEVER REACH AROUND OR OVER SAW BLADE. TURN OFF TOOL AND WAIT FOR SAW BLADE TO STOP BEFORE MOVING WORKPIECE OR CHANGING SETTINGS. NEVER STAND DIRECTLY IN LINE WITH THE SAW BLADE. ALWAYS POSITION YOUR BODY ON THE SAME SIDE OF THE SAW BLADE AS THE FENCE. ALWAYS USE PROPER HEARING AND RESPIRATORY PROTECTION. USE WITH DEWALT 60V BATTERIES. SER.
DEWALT INDUSTRIAL TOOL CO., TOWSON, MD 21286 U.S.A.
FOR SERVICE INFORMATION, CALL 1-800-4-DEWALT www.DEWALT.com



⚠ PELIGRO NUNCA PONGA SUS MANOS EN LA VICINIDAD O CONFORME A LA LÁMINA DE SIERRA.
⚠ ADVERTENCIA PARA SU PROPIA SEGURIDAD, LEA DETENIDAMENTE EL MANUAL DE INSTRUCCIONES ANTES DE OPERAR LA SIERRA. USE PROTECCIÓN OCULAR, USE SIEMPRE EL PROTECTOR DE LA HOJA DE SIERRA, LA NAVAJA SEPARADORA Y EL DISPOSITIVO ANTI-REBOTE EN BUEN ESTADO PARA CADA OPERACION PARA LA QUE PUEDAN UTILIZARSE, INCLUIDO EL CORTE CON TRASPASO. USE UN EMPUJADOR O BLOQUE DE PRESIÓN CUANDO SEA NECESARIO. NO REALICE NINGUNA OPERACIÓN A MANO ALZADA. APOYE LA PIEZA DE TRABAJO CON UNA MESA Y GUÍA O INDICADOR DE ÁNGULO PARA CORTES INGLETADOS - NUNCA AMBOS JUNTOS. NO REALICE CORTES EN PICADO. PRESTE ESPECIAL ATENCIÓN A LAS INSTRUCCIONES ACERCA DE CÓMO REDUCIR EL RIESGO DE REBOTE. NO EXTIENDA NUNCA LA MANO ALREDEDOR O POR ENCIMA DE LA HOJA DE LA SIERRA. APAGUE LA HERRAMIENTA Y ESPERE A QUE LA HOJA DE LA SIERRA SE DETENGA ANTES DE MOVER LA PIEZA DE TRABAJO O DE CAMBIAR LA CONFIGURACIÓN. NO ESTE NUNCA PARADO EN LINEA RECTA CON RESPECTO A LA HOJA DE LA SIERRA. MANTENGA SIEMPRE SU CUERPO EN EL MISMO LADO DE LA HOJA DE LA SIERRA EN EL QUE SE UBICÓ EL PROTECTOR. USE SIEMPRE PROTECCIÓN AUDITIVA Y RESPIRATORIA ADECUADA, USAR CON BATERIA DEWALT DE 60 V.

⚠ DANGER NE PLACEZ JAMAIS VOS MAINS À PROXIMITÉ OU EN CONFORMITÉ AVEC LA LAME DE SCIÈS.
⚠ AVERTISSEMENT POUR RÉDUIRE TOUT RISQUE DE DOMMAGES CORPORELS, LIRE LE GUIDE D'UTILISATION AVANT DE SE SERVIR DE LA SCIÈ. PORTER UNE PROTECTION OCULAIRE, UTILISER SYSTÉMATIQUEMENT DES DISPOSITIFS EN BON ÉTAT DE MARCHÉ, CARTER DE LAME, COUPEAU DIVISEUR ET DISPOSITIFS ANTI-REBONDS. POUR CHAQUE OPÉRATION OÙ ILS POURRONT ÊTRE UTILISÉS, Y COMPRIS TOUTES LES COUPES INTÉGRALES, UTILISER UN POUSSOIR, BLOC OU BÂTONNET, LE CAS ÉCHÉANT. NE JAMAIS UTILISER LA SCIÈ À MAIN LEVÉE, SOUTENIR LE TRAVAIL AVEC UNE TABLE ET UN GUIDE OU UN GUIDE D'ONGLET, JAMAIS LES DEUX EN MÊME TEMPS. NE FAIRE AUCUNE COUPE EN PLONGÉE, FAIRE PARTICULIÈREMENT ATTENTION AUX INSTRUCTIONS CONCERNANT LA RÉDUCTION DES RISQUES DE REBONDS. NE JAMAIS PASSER LES MAINS AUTOUR OU SUR LA LAME. ARRÊTER L'OUTIL ET ATTENDRE L'ARRÊT COMPLET DE LA LAME DE SCIÈ AVANT DE DÉPLACER LA PIÈCE, OU CHANGER LES RÉGLAGES. NE JAMAIS SE TENIR DIRECTEMENT DANS LE SILLAGE DE LA LAME. SE POSITIONNER SYSTÉMATIQUEMENT OU MÊME CÔTÉ QUE LE GUIDE DE LAME. PORTER SYSTÉMATIQUEMENT UN SYSTÈME DE PROTECTION AUDITIVE ET DES VOIES RESPIRATOIRES, À UTILISER AVEC DES BLOCS-PILES DEWALT DE 60 V.



Définitions : symboles et termes d'alarmes sécurité

Ces guides d'utilisation utilisent les symboles et termes d'alarmes sécurité suivants pour vous prévenir de situations dangereuses et de risques de dommages corporels ou matériels.

! **DANGER** : indique une situation dangereuse imminente qui, si elle n'est pas évitée, **entraînera la mort ou des blessures graves**.

! **AVERTISSEMENT** : indique une situation potentiellement dangereuse qui, si elle n'est pas évitée, **pourrait entraîner la mort ou des blessures graves**.

! **ATTENTION** : indique une situation potentiellement dangereuse qui, si elle n'est pas évitée, **pourrait entraîner des blessures légères ou modérées**.

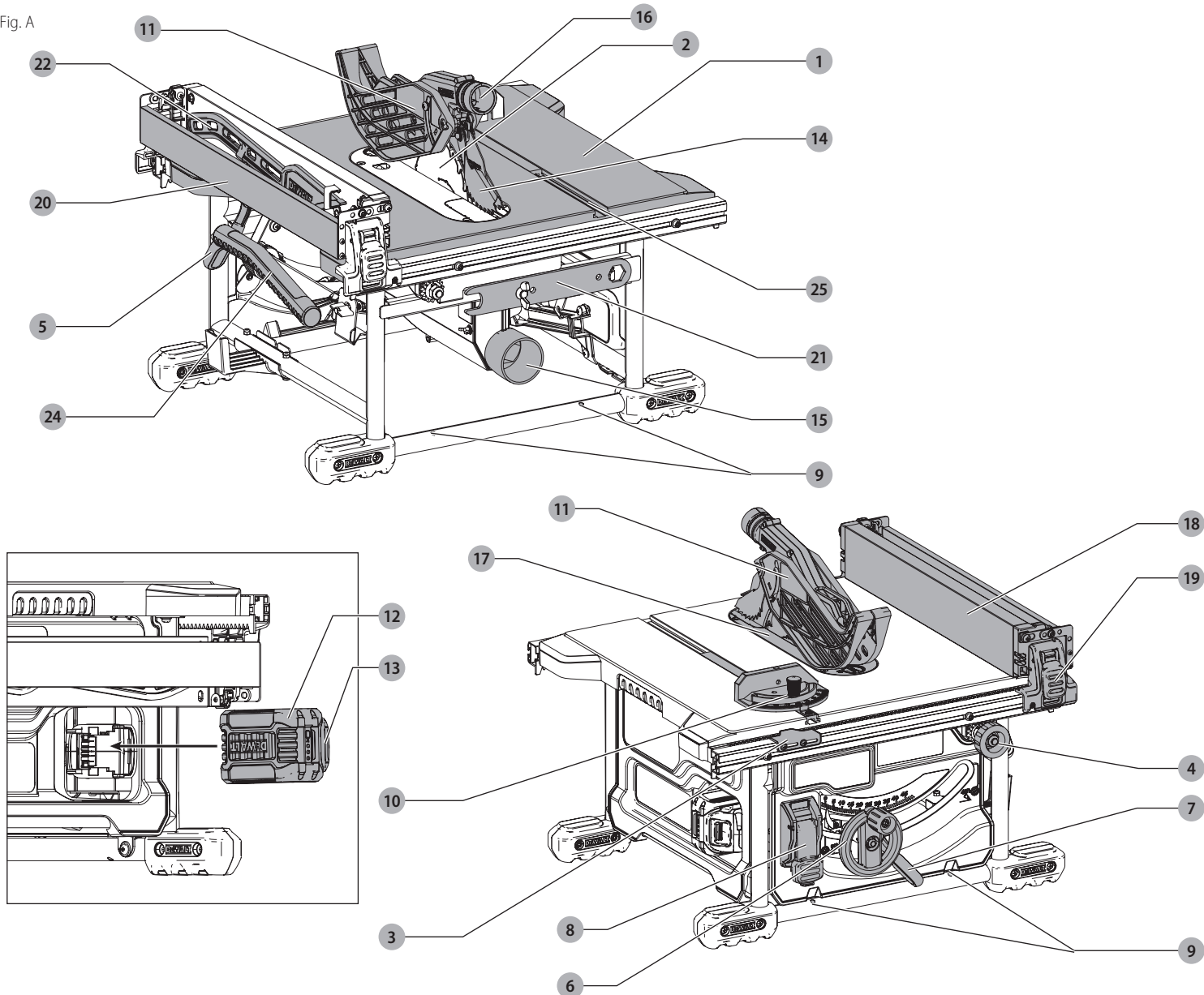
! (Si utilisé sans aucun terme) Indique un message propre à la sécurité.

AVIS : indique une pratique ne posant **aucun risque de dommages corporels** mais qui par contre, si rien n'est fait pour l'éviter, **pourrait poser des risques de dommages matériels**.

! **AVERTISSEMENT!** lire tous les avertissements de sécurité et toutes les directives. Le non-respect des avertissements et des directives pourrait se solder par un choc électrique, un incendie et/ou une blessure grave.

! **AVERTISSEMENT** : afin de réduire le risque de blessures, lire le mode d'emploi de l'outil.

Fig. A



- 1 Banco
- 2 Hoja
- 3 Indicador de escala para cortes longitudinales
- 4 Pomo de ajuste
- 5 Palanca de bloqueo de riel
- 6 Rueda de ajuste de altura de la hoja
- 7 Palanca de bloqueo de bisel
- 8 Unidad de encendido/apagado
- 9 Orificios de montaje
- 10 Calibrador de inglete
- 11 Unidad del protector de la hoja
- 12 Batería
- 13 Botón de liberación de la batería


- 14 Unidad anti-rebote
- 15 Orificio para recolección de polvo
- 16 Protector del orificio para recolección de polvo
- 17 Placa de garganta
- 18 Guía para cortes longitudinales
- 19 Seguro de la guía para cortes longitudinales
- 20 Guía estrecha para cortes longitudinales/extensión de apoyo
- 21 Llaves para hoja (posición de almacenamiento)
- 22 Empujador (Posición de almacenamiento)
- 23 Cuchillo separador (aserrado sin traspaso) (Fig. G)
- 24 Asa de transporte
- 25 Riel de calibrador de inglete

CONSERVER TOUS LES AVERTISSEMENTS ET TOUTES LES DIRECTIVES POUR UN USAGE ULTÉRIEUR

POUR TOUT COMMENTAIRE, OU TOUTE QUESTION, RELATIF À CET OUTIL OU TOUT AUTRE OUTIL DEWALT, COMPOSEZ GRATUITEMENT LE : 1-800-4-DEWALT (1-800-433-9258).

 **AVERTISSEMENT :** pour réduire tout risque de dommages corporels, lire le guide d'utilisation.

Règles de sécurité – Généralités

 **AVERTISSEMENT :** lire ces directives avant toute utilisation du produit. Tout manquement aux instructions suivantes pose des risques de chocs électriques, d'incendie et/ou de dommages corporels graves.

 **AVERTISSEMENT :** SE CONFORMER AUX NORMES DU CODE EN MATIÈRE DE CÂBLAGE et connexions électriques pour prévenir tout risque de décharges électriques ou d'électrocution.

Consignes de sécurité importantes

- **POUR RÉDUIRE TOUT RISQUE DE REBONDS ET DOMMAGES CORPORELS**, utiliser systématiquement l'ensemble des composants du dispositif de protection (dispositif de carter de lame, couteau diviseur et dispositif anti-rebonds) au cours des opérations pour lesquelles ils ont été conçus, y compris lors de toute coupe intégrale.
- **RETIRER TOUTE CLÉ ET TOUT OUTIL DE RÉGLAGE.** Vérifier systématiquement que toute clé ou tout outil de réglage a été retiré de la broche avant de mettre l'outil en marche. Outils, chutes, ou autres débris pourraient être projetés brusquement, et causer des dommages corporels.
- **MAINTENIR L'AIRE DE TRAVAIL PROPRE.** Les établis et locaux encombrés sont propices aux accidents.
- **NE PAS UTILISER LA MACHINE DANS UN ENVIRONNEMENT DANGEREUX.** Ne pas utiliser d'outils électriques dans des endroits trempés ou humides, ou sous la pluie, pour éviter tout risque de décharge électrique ou d'électrocution. Maintenir l'atelier bien éclairé pour éviter les chutes ou la mise en danger des bras, mains ou doigts.
- **MAINTENIR LES ENFANTS À L'ÉCART.** Pour leur sécurité, tenir les visiteurs à l'écart de l'espace de travail. Votre atelier est un environnement potentiellement dangereux.
- **PROTÉGER L'ATELIER À L'AIDE DE DISPOSITIFS À L'ÉPREUVE DES ENFANTS** tels cadenas et interrupteurs principaux, ou en retirant toute clé de démarrage et le bloc-piles. Le démarrage non autorisé d'une machine par un enfant ou un visiteur comporte des risques de dommages corporels.
- **NE PAS FORCER L'OUTIL.** Il effectuera un meilleur travail, à un degré de sécurité plus élevé, à la vitesse pour laquelle il a été conçu.
- **UTILISER L'OUTIL ADÉQUAT.** Ne pas forcer l'outil, ou un accessoire, pour effectuer un travail pour lequel il n'a pas été conçu. Le fait d'utiliser un outil ou un accessoire inadéquat comporte des risques de dommages corporels.
- **N'EFFECTUEZ AUCUN TRAVAIL HORS DE PORTÉE.** Maintenir son équilibre et les pieds bien ancrés au sol en permanence. Perdre l'équilibre pourrait occasionner des dommages corporels. Ne pas tenter d'éliminer des matériaux à proximité de la lame de la scie de table alors qu'elle tourne.
- **PRENDRE SOIN DE SES OUTILS.** Conserver les lames bien affûtées et propres pour des performances optimales et un maximum de sécurité. Suivre toute instruction relative à la lubrification et au changement d'accessoire. L'utilisation de lames ou machines pauvrement entretenues comporte des risques de dommages matériels et/ou corporels.
- **PORTER LES VÊTEMENTS APPROPRIÉS.** Éviter vêtements amples, gants, cravates, bagues, bracelets ou autres bijoux qui pourraient se prendre dans les pièces mobiles. Il est recommandé de porter des chaussures antidérapantes. Couvrir ou attacher les cheveux longs.
- **PORTER SYSTÉMATIQUEMENT DES LUNETTES DE PROTECTION.** Utiliser aussi un écran facial ou un masque antipoussières si la découpe doit en produire beaucoup. Les lunettes ordinaires ne peuvent que protéger contre les impacts, et ne sont pas des lunettes de protection.
- **ARRIMER LA PIÈCE À TRAVAILLER.** Utiliser des colliers de serrage pour maintenir le travail lorsque c'est utile (particulièrement avec un espacement nul de plaquette de renfort/plaque de lumière). C'est plus sûr que de le faire manuellement et cela laisse les mains libres pour utiliser l'outil.
- **ARRÊTER LA MACHINE ET DÉCONNECTER LE BLOC-PILES** avant d'installer ou retirer tout accessoire, avant tout réglage ou changement de configuration, ou pour effectuer toute réparation ou tout changement de lieu.
- Ne pas installer ou retirer le bloc-piles avec des mains humides.
- **S'ASSURER QUE L'INTERRUPTEUR EST EN POSITION D'ARRÊT AVANT D'INSÉRER UN BLOC-PILES.** Insérer un bloc-piles dans un outil électrique pose des risques d'accidents.
- **UTILISER LES ACCESSOIRES RECOMMANDÉS.** N'utiliser que des accessoires recommandés par le fabricant de votre modèle particulier. Les accessoires convenant à un modèle d'outils peuvent être dangereux lorsqu'utilisés avec un autre. Consulter le guide d'utilisation pour connaître les accessoires recommandés. L'utilisation d'accessoires inadéquats comporte des risques de dommages corporels.
- Les accessoires magnétiques ne fonctionneront pas avec cette scie.
- **NE JAMAIS MONTER OU S'ASSEOIR SUR L'OUTIL. NE JAMAIS L'UTILISER COMME ESCABEAU.** Des dommages corporels graves pourraient en résulter si l'outil basculait ou en cas de contact involontaire avec l'organe de coupe.
- **VÉRIFIER L'ÉTAT DES PIÈCES.** Avant toute nouvelle utilisation de l'outil, tout dispositif de protection, ou autre pièce, endommagé doit être vérifié soigneusement pour déterminer s'il fonctionnera correctement et remplira la fonction pour laquelle il a été conçu. Vérifier les pièces mobiles afin de s'assurer qu'elles sont bien alignées et installées, et qu'elles ne resteront pas coincées. Vérifier également les pièces pour s'assurer qu'il n'y a aucune fêlure ou toute autre condition susceptible de nuire au bon fonctionnement de l'outil. Tout dispositif de protection, ou autre pièce, endommagé doit être réparé correctement ou remplacé. Ne pas utiliser un outil

dont l'interrupteur est défectueux. Toute pièce endommagée comporte des risques de dommages matériels supplémentaires et/ou corporels.

- **DIRECTION DE L'ALIMENTATION.** Alimenter la pièce à travailler vers la lame, ou l'organe de coupe, uniquement dans la direction inverse de rotation de ces derniers. Les coupes à gorge ou à main levée sont interdites.
- Laisser un espace de sortie suffisant à l'arrière de la scie pour assurer que le matériau ne reste pas bloqué lors de la coupe. Des tables de support d'ouvrage devraient être placées aux endroits utiles pour soutenir pleinement le matériau.
- **NE JAMAIS LAISSER L'OUTIL FONCTIONNER SANS SUPERVISION. ARRÊTER SYSTÉMATIQUEMENT L'OUTIL.** Attendre l'arrêt complet de l'outil avant de le laisser pour éviter tout risque de blessures graves.
- **NE JAMAIS LAISSER DES MATÉRIAUX SUR LA TABLE ALORS QUE LA SCIE TOURNE.**
- **NE PAS UTILISER UN OUTIL ÉLECTRIQUE EN PRÉSENCE DE LIQUIDE OU GAZ INFLAMMABLE OU EN MILIEU DÉFLAGRANT.** Le moteur et les interrupteurs de ces outils pourraient provoquer des étincelles et un incendie.
- **RESTER PRUDENT. RESTER VIGILANT ET FAIRE PREUVE DE BON SENS. NE PAS UTILISER LA MACHINE EN CAS DE FATIGUE OU SOUS L'INFLUENCE DE DROGUES, D'ALCOOL OU DE MÉDICAMENTS.** Tout moment d'inattention pendant l'utilisation d'un outil électrique comporte des risques de blessure grave.
- **NE PAS LAISSER LA FAMILIARITÉ AVEC L'OUTIL (gagnée par l'utilisation fréquente de la scie) REMPLACER LES CONSIGNES DE SÉCURITÉ.** Se rappeler qu'il suffit d'une fraction de seconde d'inattention pour causer des dommages corporels graves. Prendre des précautions supplémentaires et rester alerte lors de coupes répétitives. Arrêter la scie fréquemment pour éliminer la poussière et vérifier les réglages pour réduire la monotonie.

Règles de sécurité additionnelles relatives aux scies de table

- **ÉVITER LES POSITIONS INSTABLES**, qui pourraient provoquer une chute soudaine et risquer de mettre la lame en contact avec la main.
- Ne pas tenter d'éliminer des matériaux à proximité de la lame de la scie de table alors qu'elle tourne.
- **NE JAMAIS UTILISER LA MAIN POUR MAINTENIR LA PIÈCE DE TRAVAIL**, que ce soit derrière ou autour de l'organe de coupe.
- **ÉLOIGNER LES BRAS, MAINS ET DOIGTS** de la lame pour prévenir tout dommage corporel grave.
- **UTILISER UN POUSSOIR DE FIN DE PASSE APPROPRIÉ À L'APPLICATION EN COURS POUR POUSSER LA PIÈCE VERS LA SCIE.** Un pousoir de fin de passe est un morceau de bois ou de plastique, souvent fait maison, qui devrait être utilisé chaque fois que la taille ou la forme de la pièce à travailler obligerait les mains de s'approcher à moins de 152 mm (6 po) de la lame.
- **UTILISER SUPPORTS, DISPOSITIFS DE FIXATION OU PEIGNES POUR GUIDER ET CONTRÔLER LA PIÈCE À TRAVAILLER.** Les accessoires recommandés pour cet outil sont vendus séparément chez les distributeurs locaux ou dans les centres de réparation agréés. Des instructions pour créer : pousoir de fin de passe, guide longitudinal auxiliaire étroit, bloc-poussoir et peignes, sont incluses dans ce manuel.
- **N'EFFECTUER AUCUNE COUPE LONGITUDINALE, TRANSVERSALE OU TOUTE AUTRE OPÉRATION À LA MAIN.**
- **NE JAMAIS passer les mains autour ou par-dessus la lame alors qu'elle tourne.**
- **STABILITÉ.** S'assurer que la scie de table est fermement arrimée à une surface stable, et complètement immobilisée avant toute utilisation.
- **LA SCIE DE TABLE DEVRAIT ÊTRE INSTALLÉE UNIQUEMENT SUR UNE SURFACE PLANE ET STABLE.** L'aire de travail devrait être exempte de toute obstruction et de tout danger de chute. Aucun matériau ou outil ne devrait reposer sur la scie.
- **NE JAMAIS DÉCOUPER DE MÉTAUX, CIMENT OU MAÇONNERIE.** Certains matériaux synthétiques doivent être découpés avec des scies de table en suivant des instructions particulières. Suivre systématiquement les recommandations du fabricant pour prévenir tout risque de dommages corporels et matériels.
- Ne pas installer de lame diamant pour maçonnerie sur la scie de table et tenter de l'utiliser comme une scie à eau.
- **UNE PLAQUE DE LUMIÈRE APPROPRIÉE DOIT ÊTRE SYSTÉMATIQUEMENT VERROUILLÉE EN PLACE** pour réduire tout risque d'éjection de pièce et de dommages corporels.
- **UTILISER UNE LAME DE SCIE CONÇUE SPÉCIALEMENT POUR L'OPÉRATION DÉSIRÉE.** La rotation de la lame doit se faire vers l'avant de la scie. Serrer fermement l'écran d'arbre de lame. Avant toute utilisation, vérifier que la lame ne comporte aucune fente, ou dents manquantes. Ne pas utiliser de lame endommagée ou émoussée.
- **NE JAMAIS TENTER DE LIBÉRER UNE LAME BLOQUÉE AVANT D'AVOIR ARRÊTÉ LA SCIE ET RETIRÉ LE BLOC-PILES.** Si un morceau ou un rebut restait coincé dans le dispositif de carter de lame, arrêter la scie, et attendre l'arrêt complet de la lame, avant de soulever le dispositif de carter de lame et de retirer le morceau coincé.
- **NE JAMAIS REMETTRE LA MACHINE EN MARCHÉ** alors que la pièce à travailler se trouve contre la lame pour réduire tout risque d'expulsion de la pièce et de dommages corporels.
- **NE JAMAIS LAISSER AUCUNE PARTIE DU CORPS ENTRER DANS LE SILLAGE DE LA LAME**, car il y a des risques de dommages corporels. Se placer d'un côté ou de l'autre de la lame.
- **NE JAMAIS EFFECTUER DE MISE EN PLACE, MONTAGE OU CONFIGURATION sur la table/l'aire de travail alors que la machine tourne.** Un dérapage soudain pourrait causer un contact involontaire entre la lame et les mains. Cela pose des risques de dommages corporels graves.
- **NE JAMAIS EFFECTUER DE RÉGLAGES ALORS QUE LA SCIE TOURNE**, comme le repositionnement ou retrait du guide, le réglage du verrouillage de biseau ou le réglage de la hauteur de lame.
- **NETTOYER LA TABLE/L'ESPACE DE TRAVAIL AVANT DE LAISSER LA MACHINE.** Verrouiller l'interrupteur en position « OFF » (arrêt) et retirer le bloc-piles pour prévenir toute utilisation non autorisée.

- Verrouiller **SYSTÉMATIQUEMENT** le guide ou le réglage de biseau avant toute coupe.
- **NE PAS laisser une longue planche (ou toute autre pièce similaire) non soutenue, car l'effet de ressort de la planche pourrait la faire glisser de la table et causer perte de contrôle du matériel et dommages corporels.** Fournir un support adéquat à la pièce à travailler compte tenu de sa taille et du type d'opération à effectuer. Maintenir fermement la pièce à travailler contre le guide et à plat sur la surface de la table.
- **Si la scie fait un bruit inhabituel ou vibre excessivement, arrêter aussitôt toute opération, arrêter l'outil et retirer son bloc-piles jusqu'à ce que le problème ait été identifié et corrigé.** Si le problème persiste, contacter un centre de réparation d'usine DeWALT, un centre de réparation agréé DeWALT ou tout autre personnel de réparation qualifié.
- **NE PAS UTILISER CETTE MACHINE** tant qu'elle n'est pas complètement assemblée et installée, conformément aux instructions données. Une machine incorrectement assemblée pose des risques de dommages corporels graves.
- **NE JAMAIS** tenter de couper un amas de morceaux de matériaux, car il y a risques de perte de contrôle ou rebonds. Soutenir soigneusement tout matériau.
- **NE PAS ENTREPOSER CET OUTIL AVEC SON BLOC-PILES INSTALLÉ.** Envisager toute éventualité pour prévenir la mise en marche accidentelle de la scie.
- **NE PAS TRANSPORTER CET OUTIL AVEC SON BLOC-PILES INSTALLÉ.**
- **DES INFORMATIONS COMPLÉMENTAIRES** sur la sécurité et l'utilisation correcte des outils électriques (ex. : vidéo sécurité) sont à votre disposition auprès du Power Tool Institute (l'Institut des Outils Électriques), 1300 Sumner Avenue, Cleveland, OH 44115-2851 (www.powertoolinstitute.com). Des informations sont aussi à votre disposition auprès du National Safety Council (Conseil National de la Sécurité), 1121 Spring Lake Drive, Itasca, IL 60143-3201. Se reporter aux normes OSHA 1910.213 du Département du Travail Américain.

Terminologie : la terminologie suivante sera utilisée dans ce manuel et nous vous recommandons de vous familiariser avec ses termes.

- **Coupe intégrale :** la pièce à travailler est découpée de bout en bout.
- **Coupe partielle :** la pièce à travailler est découpée partiellement.
- **Poussoir de fin de passe :** un morceau de bois ou de plastique, fait maison en général, et utilisé pour pousser une petite pièce vers la scie tout en protégeant de la lame les mains de l'utilisateur.
- **Rebonds :** ils se produisent lorsque la lame de la scie reste coincée dans la ligne de coupe et repousse violemment la pièce à travailler vers l'utilisateur. Des rebonds encore plus graves et dangereux se produiront lorsque la scie sera utilisée sans ses dispositifs de protection ou son couteau diviseur. Les matériaux en contact avec le bord externe de la lame seront éjectés violemment et de façon imprévisible sur l'utilisateur.
- **À main levée :** une coupe sans l'utilisation d'un guide d'onglet ou d'un guide longitudinal ou de tout autre moyen de guider ou maintenir la pièce à travailler autre que les mains de l'utilisateur.

⚠ AVERTISSEMENT : ne jamais effectuer de coupe à main levée avec cette scie.

- **Coupe en plongée :** toute coupe où la pièce à travailler est soit abaissée sur la lame alors que la pièce est contrôlée manuellement par l'utilisateur soit lorsque la pièce est soutenue manuellement par l'utilisateur sur la surface de table et la lame élevée au travers de la pièce.

⚠ AVERTISSEMENT : ne jamais effectuer de coupe en plongée avec cette scie.

- **Coupe double :** inverser le matériau pour le recouper lorsque la scie est incapable de le faire en une seule passe.

⚠ AVERTISSEMENT : ne jamais effectuer de coupe double avec cette scie.

- **Sortie :** l'espace à l'arrière de la scie doit permettre au matériau de sortir complètement de la coupe.
- **Rainurage :** utilisation d'une tête à rainurer ou de tout autre type d'organe de coupe à profiler pour faire des rainures ou des gravures décoratives.

⚠ AVERTISSEMENT : ne pas installer de tête à rainurer ou d'organe de coupe à profiler sur cette scie.

Dispositif de carter de lame, dispositif anti-rebonds et couteau diviseur

Votre scie de table est équipée d'un dispositif de carter de lame avec couteau séparateur et d'un dispositif anti-rebonds pour couvrir la lame et réduire les risques de contact accidentel avec la lame. Un couteau diviseur est aussi fourni pour les coupes non intégrales. Le couteau diviseur et le couteau séparateur sont des plaques à positionner derrière la lame de scie et qui rentrent dans la ligne de coupe. Deux taquets anti-rebonds situés de chaque côté du couteau séparateur permettent au bois d'être traversé par la lame dans la direction de coupe en réduisant les possibilités de rejet en arrière du matériau vers l'utilisateur. Cela aide à prévenir les rebonds causés par le blocage ou grippage du matériau découpé à l'arrière de la lame de scie. **Les dispositifs de carter de lame et anti-rebonds peuvent être utilisés uniquement pour faire des coupes traversantes, coupant intégralement le bois. Pour effectuer des feuillures, rainures, tenons, assemblages à recouvrement ou autres coupes non intégrales, les dispositifs de carter de lame et anti-rebonds doivent être retirés et le couteau diviseur doit être installé.**

Utiliser systématiquement l'ensemble des composants du dispositif de protection (dispositif de carter de lame, couteau diviseur et dispositif anti-rebonds) au cours des opérations pour lesquelles ils ont été conçus, y compris lors de toute coupe intégrale. Si l'on choisit de ne pas utiliser l'un de ces composants pour une application particulière, prendre des précautions supplémentaires pour garder le contrôle de la pièce : utiliser des poussoirs de fin de passe, faire attention à la position des mains par rapport à la lame; utiliser une protection oculaire ainsi que tout moyen d'éviter les rebonds; et respecter les avertissements contenus dans ce manuel et sur la scie elle-même. **Reinstaller les systèmes de protection dès que l'on reprend des coupes intégrales.** Maintenir les dispositifs de protection en bon état de marche.

Création d'un poussoir de fin de passe (troisième de couverture)

- Pour utiliser la scie de table en toute sécurité, il est recommandé d'utiliser un poussoir de fin de passe chaque fois que la taille ou la forme de la pièce à travailler oblige les mains à s'approcher de moins de 152 mm (6 po) de la lame. Un poussoir de fin de passe est inclus avec cette scie.
- Il se pourra que des poussoirs de fin de passe supplémentaires soient nécessaires pour accommoder des matériaux de différentes épaisseurs. Des plans de poussoirs de fin de passe sont inclus en fin de ce guide d'utilisation. Les poussoirs de fin de passe devraient être en bois massif, contreplaqué, plastique ou autres matériaux, à la fois résistants et tendres. Il est recommandé de lui donner une longueur de 400 mm (15,7 po) avec une encoche qui s'encastré dans le bord de la pièce à travailler pour éviter qu'il ne glisse. Il est bon d'avoir plusieurs poussoirs de fin de passe de la même longueur, 400 mm (15,7 po), avec des tailles d'encoches différentes pour accommoder différentes épaisseurs de pièces.

Rebonds

Les rebonds peuvent causer des dommages corporels graves. Un rebond se produit lorsqu'une portion de la pièce à travailler reste coincée entre la lame et le guide longitudinal, ou tout autre objet fixe, et projette la pièce hors de la table vers l'utilisateur. Les rebonds peuvent être évités en prenant les mesures suivantes.

Comment les éviter et vous protéger de dommages corporels possibles :

- Utiliser un carter de lame avec un couteau séparateur, ou un couteau diviseur, chaque fois que possible.**
- S'assurer que le guide longitudinal est bien parallèle à la lame.**
- Ne pas découper longitudinalement en appliquant la force d'avance à la section de la pièce à travailler qui est destinée à devenir la chute.** Pour une coupe longitudinale, la force d'avance doit systématiquement être appliquée entre la lame et le guide. Utiliser un bâtonnet pour pousser les pièces étroites de 152 mm (6 po) de large ou moins.
- Maintenir en place, et en bon état de marche, les dispositifs de carter de lame et de rebonds et le couteau diviseur.** Si le dispositif anti-rebonds n'est pas opérationnel, rapporter votre appareil dans le centre de réparation agréé DeWALT le plus proche. Le couteau séparateur et le couteau diviseur doivent être alignés avec la lame de scie, et le dispositif anti-rebonds doit pouvoir arrêter les rebonds dès leur origine. Vérifier leur fonctionnement avant de faire des coupes longitudinales en poussant le bois sous le dispositif anti-rebonds. Les dents doivent empêcher le bois d'être tiré vers l'avant de la scie.
- Les plastiques et matériaux composites (comme les planchers lamellaires) peuvent être découpés avec cette scie.** Ces matériaux peuvent avoir une surface dure ou glissante qui pourra limiter l'efficacité du dispositif anti-rebonds. Lors de la coupe de ces matériaux, suivre tout particulièrement les instructions relatives à la coupe longitudinale.
- Utiliser les dispositifs de carter de lame et anti-rebonds et le couteau diviseur pour chaque opération pour laquelle ils peuvent être utilisés, y compris toutes les coupes intégrales.**
- Pousser la pièce au-delà de la lame de scie avant de la relâcher.**
- NE JAMAIS découper longitudinalement une pièce gondolée ou déformée, ou sans bord droit pour la guider le long du guide.**
- NE JAMAIS scier une pièce trop large pour être contrôlée.**
- NE JAMAIS utiliser le guide en tant que guide ou butée de longueur pour faire des coupes transversales.**
- NE JAMAIS scier une pièce comportant : nœuds décollés, défauts, clous ou autres objets étrangers.**
- NE JAMAIS couper longitudinalement une pièce de moins de 254 mm (10 po).**
- NE JAMAIS utiliser de lame émoussée, la remplacer ou la faire affûter.**

⚠ AVERTISSEMENT : PORTER SYSTÉMATIQUEMENT des lunettes de protection.

Les lunettes courantes NE sont PAS des lunettes de protection. Utiliser aussi un écran facial ou un masque antipoussières si la découpe doit en produire beaucoup. **PORTER SYSTÉMATIQUEMENT UN ÉQUIPEMENT DE SÉCURITÉ HOMOLOGUÉ :**

- Protection oculaire ANSI Z87.1 (CAN/CSA Z94.3);
- Protection auditive ANSI S12.6 (S3.19);
- Protection des voies respiratoires NIOSH/OSHA/MSHA.

⚠ AVERTISSEMENT : certains outils électriques, tels que les sableuses, les scies, les meules, les perceuses ou autres outils de construction peuvent produire des poussières contenant des produits chimiques reconnus par l'état californien pour causer cancers, malformations congénitales ou être nocifs au système reproducteur. Parmi ces produits chimiques, on retrouve :

- le plomb dans les peintures à base de plomb;
- la silice cristallisée dans les briques et le ciment ou autres articles de maçonnerie; et
- l'arsenic et le chrome dans le bois ayant subi un traitement chimique.

Le risque associé à de telles expositions varie selon la fréquence à laquelle on effectue ces travaux. Pour réduire toute exposition à ces produits, travailler dans un endroit bien aéré, en utilisant le matériel de sécurité conforme, tel un masque anti-poussières spécialement conçu pour filtrer les particules microscopiques.

- **Limiter toute exposition prolongée aux poussières provenant du ponçage, sciage, meulage, perçage ou toute autre activité de construction. Porter des vêtements de protection et nettoyer à l'eau savonneuse les parties du corps exposées.** Le fait de laisser la poussière pénétrer dans la bouche, les yeux ou la peau peut favoriser l'absorption de produits chimiques dangereux.

⚠ AVERTISSEMENT : cet outil peut produire et/ou répandre de la poussière susceptible de causer des dommages sérieux et permanents au système respiratoire ou d'autres dommages corporels. Lors de l'exposition aux poussières, utiliser systématiquement un appareil de protection des voies respiratoires homologué par NIOSH ou OSHA. Diriger les particules à l'opposé du visage et du corps.

AVIS : suite à certaines conditions d'utilisation, comme l'utilisation longue durée dans des milieux à humidité moindre, la coupe de certains matériaux comme le vinyle, des charges

électrostatiques pourront s'accumuler sur les portions métalliques de la scie. Toucher ces parties métalliques pourra libérer ces charges électrostatiques et causer une décharge électrique brève et légère, mais sans danger. Cependant, en cas de doutes à ce propos, rapporter la scie dans un centre de réparation DeWALT pour une inspection gratuite et vérifier que la scie n'est affectée d'aucun dysfonctionnement électrique.

L'étiquette apposée sur votre outil peut inclure les symboles suivants. Les symboles et leur définition sont indiqués ci-après :

V..... volts	W..... watts
Hz..... hertz	~ or AC..... courant alternatif
min..... minutes	~ or AC/DC..... courant alternatif ou continu
— — or DC..... courant continu	□..... fabrication classe I (double isolation)
⊕..... fabrication classe I (mis à la terre)	no..... vitesse à vide
.../min..... par minute	n..... vitesse nominale
BPM..... battements par minute	⊕..... borne de terre
IPM..... impacts par minute	▲..... symbole d'avertissement
RPM..... revolutions per minute	⚠..... radiation visible
sfpm..... pieds linéaires par minute (plpm)	☉..... protection respiratoire
SPM (FPM)..... fréquence par minute	👁..... protection oculaire
A..... ampères	👂..... protection auditive

BLOCS-PILES ET CHARGEURS

Le bloc-piles n'est pas totalement chargé d'usine. Avant d'utiliser le bloc-piles et le chargeur, lire les consignes de sécurité ci-après puis suivre la procédure de chargement indiquée. Pour commander un bloc-piles de rechange, s'assurer d'en inclure le numéro de catalogue et la tension.

Cet outil fonctionne avec un chargeur DeWALT. S'assurer de bien lire toutes les consignes de sécurité avant toute utilisation du chargeur. Consulter le tableau en fin de manuel pour connaître les compatibilités entre chargeurs et blocs-piles.

Consignes importantes de sécurité les blocs-piles

AVERTISSEMENT : lire toutes les instructions et toutes les consignes de sécurité propres au bloc-piles, au chargeur et à l'outil électrique. Tout manquement aux avertissements et instructions pose des risques de décharges électriques, d'incendie et/ou de blessures graves.

- **Ne pas recharger ou utiliser un bloc-piles en milieu déflagrant, en présence, par exemple, de poussières, gaz ou liquides inflammables.** Le fait d'insérer ou retirer un bloc-piles de son chargeur pourrait causer l'inflammation de poussières ou d'émanations.
- **NE JAMAIS forcer l'insertion d'un bloc-piles dans un chargeur. NE modifier un bloc-piles d'AUCUNE façon pour le faire rentrer dans un chargeur incompatible, car il pourrait se briser et causer des dommages corporels graves.** Consulter le tableau en dernière page de ce manuel pour connaître les compatibilités entre chargeurs et blocs-piles.
- Recharger les blocs-piles exclusivement dans des chargeurs DeWALT.
- **NE PAS** éclabousser le bloc-piles ou l'immerger dans l'eau ou dans tout autre liquide.
- **Ne pas entreposer ou utiliser l'appareil et le bloc-piles en présence de températures ambiantes pouvant excéder 40 °C (104 °F) (comme dans des hangars ou des bâtiments métalliques l'été).** Pour préserver leur durée de vie, entreposer les blocs-piles dans un endroit frais et sec.

REMARQUE : ne pas mettre un bloc-piles dans un outil dont la gâchette est verrouillée en position de marche. Ne jamais bloquer l'interrupteur en position de MARCHÉ.

- **Ne pas incinérer le bloc-piles même s'il est sévèrement endommagé ou complètement usagé, car il pourrait exploser et causer un incendie.** Pendant l'incinération des blocs-piles au lithium-ion, des vapeurs et matières toxiques sont dégagées.
- **En cas de contact du liquide de la pile avec la peau, rincer immédiatement au savon doux et à l'eau.** En cas de contact oculaire, rincer l'œil ouvert à l'eau claire une quinzaine de minutes ou jusqu'à ce que l'irritation cesse. Si des soins médicaux s'avéraient nécessaires, noter que l'électrolyte de la pile est composé d'un mélange de carbonates organiques liquides et de sel de lithium.
- **Le contenu des cellules d'une pile ouverte peut causer une irritation respiratoire.** En cas d'inhalation, exposer l'individu à l'air libre. Si les symptômes persistent, consulter un médecin.

AVERTISSEMENT : risques de brûlure. Le liquide de la pile peut s'enflammer s'il est exposé à des étincelles ou à une flamme.

AVERTISSEMENT : risques d'incendie. Ne jamais tenter d'ouvrir le bloc-piles pour quelque raison que ce soit. Si le boîtier du bloc-piles est fissuré ou endommagé, ne pas l'insérer dans un chargeur. Ne pas écraser, laisser tomber, ou endommager les blocs-piles. Ne pas utiliser un bloc-piles ou un chargeur qui a reçu un choc violent, ou si l'appareil est tombé, a été écrasé ou endommagé de quelque façon que ce soit (p. ex. percé par un clou, frappé d'un coup de marteau, piétiné). Les blocs-piles endommagés doivent être renvoyés à un centre de réparation pour y être recyclés.

Transport

AVERTISSEMENT : risques d'incendie. Au moment de ranger ou transporter le bloc-piles, veiller à protéger ses bornes à découvert de tout objet métallique. Par exemple, éviter de placer le bloc-piles dans un tablier, une poche, une boîte à outils ou un tiroir, etc. contenant des objets tels que clous, vis, clés, etc. **Le fait de transporter des blocs-piles comporte des risques d'incendie, car les bornes des piles pourraient entrer, par**

inadvertance, en contact avec des objets conducteurs, tels que : clés, pièces de monnaie, outils ou autres. La réglementation sur les produits dangereux (Hazardous Material Regulations) du département américain des transports interdit, en fait, le transport des blocs-piles dans les commerces ou dans les avions dans les bagages de cabine, À MOINS qu'ils ne soient correctement protégés de tout court-circuit. Aussi lors du transport individuel de blocs-piles, s'assurer que leurs bornes sont bien protégées et isolées de tout matériau pouvant entrer en contact avec elles et provoquer un court-circuit.

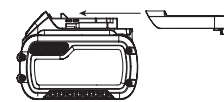
Expédition du bloc-piles DeWALT FLEXVOLT^{MC}

Le bloc-piles DeWALT FLEXVOLT^{MC} possède deux modes : **Utilisation et Expédition.**

Mode Utilisation : lorsque le bloc-piles FLEXVOLT^{MC} est par lui-même ou dans un produit DeWALT 20 v max*, il fonctionnera comme un bloc-piles de 20 v max*. Lorsque le bloc-piles FLEXVOLT^{MC} est dans un produit de 60 v max* ou 120 v max* (deux blocs-piles de 60 v max*), il fonctionnera comme un bloc-piles de 60 v max*..

Mode Expédition : lorsque le capuchon est inséré sur le bloc-piles FLEXVOLT^{MC}, le bloc-piles est en mode Expédition. Les modules de cellules sont électriquement déconnectés du bloc le faisant correspondre à trois blocs-piles d'un wattheure (Wh) inférieur comparé à un bloc-piles de wattheure élevé. Ce passage à trois blocs-piles à un wattheure inférieur peut permettre au bloc-piles d'être exempté de suivre certaines directives d'expédition imposées sur les blocs-piles de wattheure supérieur.

L'étiquette du bloc-piles donne deux estimations de wattheures (se reporter à l'exemple). Selon comment le bloc-piles est expédié, l'estimation appropriée de wattheure doit être utilisée pour déterminer les modalités d'expédition lui correspondant. Si le capuchon d'expédition est utilisé, le bloc-piles sera considéré comme 3 blocs-piles au wattheure indiqué pour « Expédition ». S'il est expédié sans le capuchon ou dans un outil, le bloc-piles sera considéré comme un seul bloc-piles au wattheure indiqué à côté de « Utilisation ».



exemple d'étiquetage d'utilisation et d'expédition

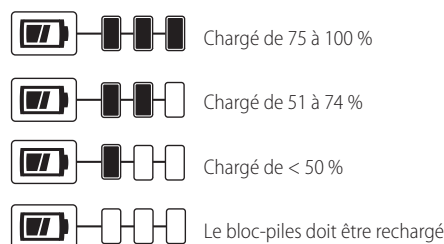
USE: 120 Wh Shipping: 3 x 40 Wh

Le Wh de transport indique 3 x 40 Wh, ce qui correspond à 3 blocs-piles de 40 wattheures chacun. L'utilisation du wattheure indique 120 wattheures (sous-entendu 1 bloc-piles).

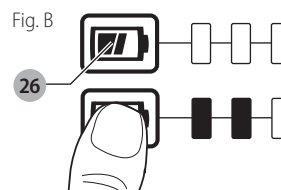
Témoin de Charge du Bloc-Piles (Fig. B)

Certains blocs-piles DeWALT possèdent un témoin de charge qui consiste en trois voyants Del verts indiquant le niveau de charge du bloc-piles.

Le témoin de charge indique approximativement le niveau de charge restant dans le bloc-piles en fonction des voyants suivants :



Pour activer le témoin de charge, maintenez appuyé le bouton du témoin de charge **26**. Une combinaison des trois voyants Del verts s'allumera indiquant le niveau de charge. Lorsque le niveau de charge du bloc-pile atteint la limite minimale d'utilisation, le témoin de charge reste éteint et le bloc-piles doit être rechargé.



REMARQUE : le témoin de charge ne fait qu'indiquer le niveau de charge du bloc-piles. Il ne donne aucune indication quant au fonctionnement de l'outil. Son propre fonctionnement pourra aussi varier en fonction des composants produit, de la température et de l'application d'utilisation.

Pour plus d'informations quant au témoin de charge du bloc-piles, veuillez appeler le 1-800-4-DeWALT (1-800-433-9258) ou vous rendre sur notre site www.dewalt.com.

Le sceau SRPRC[®]

Le sceau SRPRC[®] (Société de recyclage des piles rechargeables du Canada) apposé sur une pile au nickel-cadmium, à hydrure métallique de nickel ou au lithium-ion (ou un bloc-piles) indique que les coûts de recyclage de ces derniers en fin d'utilisation ont déjà été réglés par DeWALT. Dans certaines régions, la mise au rebut ou aux ordures municipales des piles au nickel-cadmium, à l'hydrure métallique de nickel ou au lithium-ion, est illégale ; le programme de l'Appel à Recycler[®] constitue donc une solution pratique et écologique.

Appel à Recycler Canada, Inc., en collaboration avec DeWALT et d'autres utilisateurs de piles, a mis sur pied de programme aux États-Unis et au Canada pour faciliter la collecte des piles au nickel-cadmium, à l'hydrure métallique de nickel ou au lithium-ion usagées. Aidez-nous à protéger



l'environnement et à conserver nos ressources naturelles en renvoyant les piles au nickel-cadmium, à l'hydruure métallique de nickel ou au lithium-ion usagées à un centre de réparation autorisé DeWALT ou chez votre détaillant afin qu'elles y soient recyclées. On peut en outre se renseigner auprès d'un centre de recyclage local pour connaître d'autres sites les acceptant. SRPRC® est une marque déposée de l'Appel à Recycler Canada, Inc.

Directives de sécurité importantes propres à tous les chargeurs de piles

AVERTISSEMENT : lire toutes les instructions et toutes les consignes de sécurité propres au bloc-piles, au chargeur et à l'outil électrique. Tout manquement aux avertissements et instructions pose des risques de décharges électriques, d'incendie et/ou de blessures graves.

- NE PAS tenter de charger de bloc-piles avec des chargeurs autres que ceux décrits dans ce manuel. Le chargeur et son bloc-piles ont été conçus tout spécialement pour fonctionner ensemble.
- Ces chargeurs n'ont pas été conçus pour une utilisation autre que recharger les blocs-piles rechargeables DeWALT. Toute autre utilisation comporte des risques d'incendie, de chocs électriques ou d'électrocution.
- Protéger le chargeur de la pluie ou de la neige.
- Tirer sur la fiche plutôt que sur le cordon pour débrancher le chargeur. Cela permet de réduire les risques d'endommager la fiche ou le cordon d'alimentation.
- S'assurer que le cordon est protégé de manière à ce que personne ne marche ni ne trébuche dessus, ou à ce qu'il ne soit ni endommagé ni soumis à aucune tension.
- N'utiliser une rallonge qu'en cas de nécessité absolue. L'utilisation d'une rallonge inadéquate comporte des risques d'incendie, de chocs électriques ou d'électrocution.
- Pour utiliser un chargeur à l'extérieur, le placer dans un endroit sec et utiliser une rallonge conçue pour l'extérieur. L'utilisation d'une rallonge conçue pour l'extérieur réduit les risques de chocs électriques.
- Pour la sécurité de l'utilisateur, utiliser une rallonge de calibre adéquat (AWG, American Wire Gauge [calibrage américain normalisé des fils électriques]). Plus le calibre est petit, et plus sa capacité est grande. Un calibre 16, par exemple, a une capacité supérieure à un calibre 18. L'usage d'une rallonge de calibre insuffisant causera une chute de tension qui entraînera perte de puissance et surchauffe. Si plus d'une rallonge est utilisée pour obtenir une certaine longueur, s'assurer que chaque rallonge présente au moins le calibre de fil minimum. Le tableau ci-dessous illustre les calibres à utiliser selon la longueur de rallonge et l'intensité nominale indiquée sur la plaque signalétique. En cas de doute, utiliser le calibre suivant. Plus le calibre est petit, plus la rallonge peut supporter de courant.

Calibre minimum pour les cordons d'alimentation

Volts	Longueur totale du cordon d'alimentation en mètre (pieds)				
	7,6 (25)	15,2 (50)	30,5 (100)	45,7 (150)	
120 V					
240 V	15,2 (50)	30,5 (100)	61,0 (200)	91,4 (300)	
Ampères		AWG			
Plus que	Pas plus que				
0	6	18	16	16	14
6	10	18	16	14	12
10	12	16	16	14	12
12	16	14	12	Non recommandé	

- Ne poser aucun objet sur le chargeur. Ne pas mettre le chargeur sur une surface molle qui pourrait en bloquer la ventilation et provoquer une surchauffe interne. Éloigner le chargeur de toute source de chaleur. Le chargeur dispose d'orifices d'aération sur le dessus et le dessous du boîtier.
- Ne pas le faire fonctionner avec un cordon d'alimentation ou une fiche endommagée.
- Ne pas utiliser le chargeur s'il a reçu un coup, fait une chute ou a été endommagé de quelque façon que ce soit. Le ramener dans un centre de réparation agréé.
- Ne pas démonter le chargeur. Pour tout service ou réparation, le rapporter dans un centre de réparation agréé. Le fait de le réassembler de façon incorrecte comporte des risques de chocs électriques, d'électrocution et d'incendie.
- Débrancher le chargeur du secteur avant tout entretien. Cela réduira tout risque de chocs électriques. Le fait de retirer le bloc-piles ne réduira pas ces risques.
- NE JAMAIS tenter de connecter 2 chargeurs ensemble.
- Le chargeur a été conçu pour être alimenté en courant électrique domestique standard de 120 volts. Ne pas tenter de l'utiliser avec toute autre tension. Cela ne s'applique pas aux chargeurs de postes mobiles.

AVERTISSEMENT : risques de chocs électriques. Ne laisser aucun liquide pénétrer dans le chargeur, des chocs électriques pourraient en résulter.

AVERTISSEMENT : risques de brûlure. Ne submerger le bloc-piles dans aucun liquide et le protéger de toute infiltration de liquide. Ne jamais tenter d'ouvrir le bloc-piles pour quelque raison que ce soit. Si le boîtier plastique du bloc-piles est brisé ou fissuré, le retourner dans un centre de réparation pour y être recyclé.

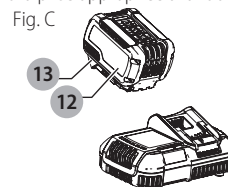
ATTENTION : risques de brûlure. Pour réduire tout risque de dommages corporels, ne recharger que des blocs-piles rechargeables DeWALT. Tout autre type de piles pourrait exploser et causer des dommages corporels et matériels.

ATTENTION : après utilisation, ranger le bloc-piles à l'écart de tout objet métallique comme trombones, pièces de monnaie, clés, clous, vis ou autres petits objets susceptibles de conduire l'électricité entre les bornes. Court-circuiter les bornes comporte des risques de brûlures ou d'incendie.

AVIS : sous certaines conditions, lorsque le chargeur est connecté au bloc d'alimentation, des matériaux étrangers pourraient court-circuiter le chargeur. Les corps étrangers conducteurs tels que (mais pas limité à) poussières de rectification, débris métalliques, laine d'acier, feuilles d'aluminium, ou toute accumulation de particules métalliques doivent être maintenus à distance des orifices du chargeur. Débrancher systématiquement le chargeur lorsque le bloc-piles n'y est pas inséré. Débrancher systématiquement le chargeur avant tout entretien.

Chargement du bloc-piles (Fig. C)

1. Branchez le chargeur dans la prise appropriée avant d'y insérer le bloc-piles.



2. Insérer le bloc-piles 12 dans le chargeur, en vous assurant qu'il y est correctement calé. Le voyant rouge (charge) clignotera de façon continue indiquant que le cycle de chargement a commencé.
3. En fin de charge, le voyant rouge restera ALLUMÉ de façon continue. Le bloc-piles est alors complètement rechargé et peut être utilisé ou laissé dans le chargeur. Pour retirer le bloc-piles du chargeur, appuyez sur le bouton de libération du bloc-piles 13 sur le bloc-piles.

REMARQUE : pour assurer des performances optimales et une durée de vie maximale des blocs-piles au lithium-ion, recharger pleinement le bloc-piles avant toute utilisation initiale.

Utilisation du chargeur

Reportez-vous aux indications du tableau ci-dessous pour consulter le statut de charge du bloc-piles.

DCB101	
	Bloc-piles en Cours de Chargement
	Bloc-piles Chargé
	Suspension de Charge Contre le Chaud/Froid
	Bloc-Pile ou Chargeur Défectueux
DCB107, DCB112, DCB113, DCB115, DCB118	
	Bloc-piles en Cours de Chargement
	Bloc-piles Chargé
	Suspension de Charge Contre le Chaud/Froid*

*DCB107, DCB112, DCB113, DCB115, DCB118: le voyant rouge ne cessera de clignoter, mais un voyant jaune restera allumé pendant cette opération. Lorsque le bloc-piles aura repris une température appropriée, le voyant jaune s'éteindra et le chargeur reprendra sa procédure de charge.

Le chargeur ne pourront recharger des blocs-piles défectueux. Le chargeur indiquera qu'un bloc-piles est défectueux en refusant de s'allumer ou en affichant bloc-piles ou chargeur défectueux.

REMARQUE : cela pourra aussi indiquer un problème avec le chargeur.

Si le problème provient du chargeur, faites vérifier le chargeur et le bloc-piles chez un centre de réparation agréé.

Fonction de suspension de charge contre le chaud/froid

Lorsque le chargeur détecte un bloc-piles trop chaud ou trop froid, il démarre automatiquement la fonction de suspension de charge contre le chaud, suspendant le chargement jusqu'à ce que le bloc-piles ait repris une température appropriée. Le chargeur ensuite se remettra automatiquement en mode de chargement. Cette caractéristique assure aux blocs-piles une durée de vie maximale.

Un bloc-piles froid se rechargera moins vite qu'un bloc-piles chaud. Le bloc-piles se rechargera à ce rythme plus lent tout au cours du cycle de charge et ne retournera pas à sa vitesse maximale de charge même s'il venait à se réchauffer.

Le chargeur DCB118 est équipé d'un ventilateur interne destiné à refroidir le bloc-piles. Le ventilateur se mettra automatiquement en marche chaque fois que le bloc-piles aura besoin de se refroidir.

N'utilisez jamais le chargeur si le ventilateur ne fonctionne pas correctement ou si ses fentes d'aération sont bloquées. Protégez systématiquement l'intérieur du chargeur de tout objet étranger.

Système de protection électronique

Les appareils au Li-Ion sont équipés d'un système électronique de protection pour protéger les blocs-piles de toute surcharge, surchauffe ou fuite importante.

L'appareil s'arrêtera automatiquement dès que le système électronique de protection sera activé. Si c'était le cas, placez le bloc-piles au lithium-ion sur son chargeur jusqu'à ce qu'il soit complètement rechargé.

Installation murale

DCB107, DCB112, DCB113, DCB115, DCB118

Ces chargeurs ont été conçus pour une installation murale ou pour être posés sur une table ou une surface de travail. Pour une fixation murale, installez le chargeur à proximité d'une prise électrique, et à l'écart de coins ou de toute autre obstruction au passage de l'air. Utilisez l'arrière du chargeur pour marquer l'emplacement des vis de montage sur le mur. Fixez soigneusement le chargeur à l'aide de vis autoforeuses (vendues séparément) d'au moins 25,4 mm (1 po) de long, et de diamètre de tête de 7-9 mm (0,28-0,35 po), que vous visserez dans le bois en laissant une longueur optimale d'environ 5,5 mm (7/32 po) exposée. Alignez les orifices à l'arrière du chargeur sur les vis exposées et insérez à fond ces dernières dans les orifices.

Instructions d'entretien du chargeur

AVERTISSEMENT : risques de chocs électriques. Débrancher le chargeur de la prise de courant alternatif avant tout entretien. Éliminer toute saleté ou graisse de la surface externe du chargeur à l'aide d'un chiffon ou d'une brosse non métallique douce. N'utiliser ni eau ni aucun nettoyant liquide.

Remarques importantes concernant le chargement

- Pour augmenter la durée de vie du bloc-piles et optimiser son rendement, le recharger à une température ambiante de 18 ° à 24 °C (65 °F à 75 °F). NE PAS recharger le bloc-piles à une température inférieure à + 4,5 °C (+ 40 °F) ou supérieure à + 40 °C (+ 104 °F). C'est important pour prévenir tout dommage sérieux au bloc-piles.
- Le chargeur et son bloc-piles peuvent devenir chauds au toucher pendant la charge. C'est normal et ne représente en aucun cas une défaillance du produit. Pour faciliter le refroidissement du bloc-piles après utilisation, éviter de laisser le chargeur ou le bloc-piles dans un local où la température ambiante est élevée comme dans un hangar métallique ou une remorque non isolée.
- Si le bloc-piles ne se recharge pas correctement :
 - Vérifier le bon fonctionnement de la prise en y branchant une lampe ou tout autre appareil électrique.
 - Vérifier que la prise n'est pas contrôlée par un interrupteur qui coupe le courant lorsqu'on éteint les lumières.
 - Déplacer le chargeur et le bloc-piles dans un local où la température ambiante se trouve entre environ 18 ° et 24 °C (65 °F et 75 °F).
 - Si le problème persiste, amener l'outil, le bloc-piles et son chargeur dans un centre de réparation local.
- Recharger le bloc-piles lorsqu'il ne produit plus assez de puissance pour effectuer un travail qu'il faisait facilement auparavant. NE PAS CONTINUER à l'utiliser dans ces conditions. Suivre la procédure de charge. Si nécessaire, il est aussi possible de recharger un bloc-piles partiellement déchargé sans effet nuisible sur le bloc-piles.
- Les corps étrangers conducteurs tels que (mais pas limité à) poussières de rectification, débris métalliques, laine d'acier, feuilles d'aluminium, ou toute accumulation de particules métalliques doivent être maintenus à distance des orifices du chargeur. Débrancher systématiquement le chargeur lorsque le bloc-piles n'y est pas inséré. Débrancher systématiquement le chargeur avant tout entretien.
- Ne pas congeler ou immerger le chargeur dans l'eau ou tout autre liquide.

Recommandations de stockage

- Le lieu idéal de rangement est un lieu frais et sec, à l'abri de toute lumière solaire directe et de toute température excessive.
- Pour un stockage prolongé, il est recommandé d'entreposer le bloc-piles pleinement chargé dans un lieu frais et sec, hors du chargeur pour optimiser les résultats.

REMARQUE : les blocs-piles ne devraient pas être entreposés complètement déchargés. Il sera nécessaire de recharger le bloc-piles avant réutilisation.

CONSERVER CES CONSIGNES POUR UTILISATION ULTÉRIEURE

Caractéristiques techniques

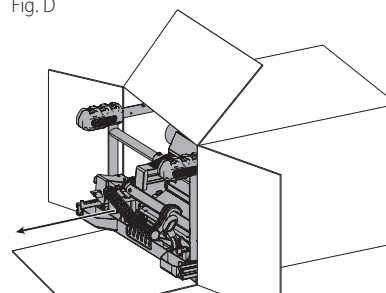
Taille de table	485 x 485 mm (19 x 19 po)
Angle d'onglet	30° gauche et droit
Angle de biseau	-2° et 47° gauche
Taille de lame	210 mm (8-1/4 po)
Prof. de coupe max, biseau 0°	65 mm (2-9/16 po)
Prof. de coupe max, biseau 45°	45 mm (1-3/4 po)
R/min : à vide	5800

Déballage (Fig. D)

AVERTISSEMENT : pour réduire tout risque de dommages corporels, NE PAS installer le bloc-piles tant que la scie de table n'a pas été complètement assemblée et tant que vous n'aurez pas lu l'ensemble du guide d'utilisation.

Ouvrez le carton et retirez la scie, comme illustré en figure D.

Fig. D



Déballer soigneusement la scie de table ainsi que tous les accessoires dans le carton. Examinez l'ensemble pour vous assurer qu'aucune pièce n'a été endommagée pendant le transport. Si une pièce quelconque manquait ou était endommagée, veuillez contacter votre détaillant pour la remplacer avant de commencer à assembler l'outil.

DESCRIPTION (Fig. A)

AVERTISSEMENT : ne jamais modifier l'outil électrique ni aucun de ses composants, car il y a des risques de dommages corporels ou matériels.

Reportez-vous en figure A au début de ce manuel pour obtenir la liste complète des composants.

USAGE PRÉVU

Cette scie de table a été conçue pour les professionnels de la construction pour la coupe longitudinale, transversale, à onglet, biseauté, et non intégrale du bois, plastique et autres matériaux tendres.

NE PAS l'utiliser pour découper métaux, ciment ou maçonnerie.

NE PAS utiliser de têtes d'organes de coupe à rainurer ou façonner sur cette scie.

NE PAS l'utiliser en milieu ambiant humide ou en présence de liquides ou de gaz inflammables.

NE PAS la laisser à la portée des enfants. Une supervision est nécessaire auprès de tout utilisateur non expérimenté.

MONTAGE

AVERTISSEMENT : risques de chocs électriques. Pour réduire tout risque de dommages corporels graves, arrêter l'outil et déconnecter le bloc-piles avant de le déplacer, changer un accessoire ou effectuer un réglage quelconque. Tout démarrage accidentel comporte des risques de dommages corporels.

Ordre de montage (Fig. A)

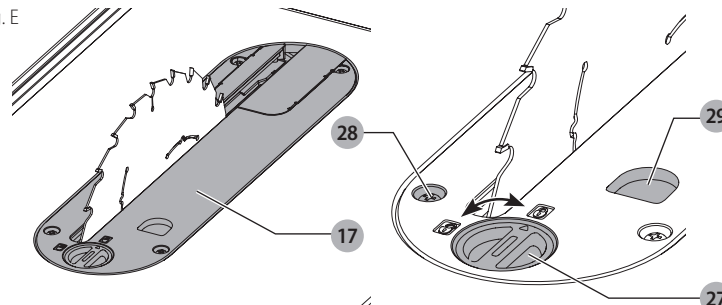
- Déverrouillez et retirez la plaque de lumière **17**. Reportez-vous à la section : **Retrait de la plaque de lumière**.
- Assurez-vous que la lame est installée correctement et que l'écrou d'arbre est bien resserré. Utilisez les clés **21** entreposées sur l'outil. Reportez-vous en figure A.
- Positionnez le dispositif de carter de lame **11**.
- Installez le dispositif anti-rebonds **14** sur le dispositif du carter.
- Installez et verrouillez la plaque de lumière **17**. (REMARQUE : ajuster les vis de réglage avant de continuer. Se reporter à la section : Installation de la plaque de lumière).
- Installez le guide longitudinal **18**. (REMARQUE : régler l'échelle de coupe avant de continuer. Se reporter à la section : **Réglage de l'échelle de coupe**).

REMARQUE : pour rattacher cette scie de table à un établi, suivre les instructions d'assemblage incluses avec le dispositif de l'établi.

Installation de la plaque de lumière (Fig. E)

- Alignez la plaque de lumière **17** comme illustré en figure E, et insérez les languettes à l'arrière de la plaque dans les trous à l'arrière de l'ouverture de la table.
- Tournez la came vers la gauche jusqu'à ce que l'avant de la plaque de lumière s'encastre en place. Arrimez-la en faisant tourner le bouton de verrouillage de came **27** vers la droite d'un quart de tour (le verrou de came se trouve alors sous la table, immobilisant ainsi la plaque de lumière).
- La plaque de lumière comprend quatre vis de réglage **28** pour la hausser ou l'abaisser. Lorsqu'elle est ajustée correctement, l'avant de la plaque de lumière se trouve au ras ou légèrement sous la surface de la table, et bien arrimée. L'arrière de la plaque de lumière doit être au ras ou légèrement au-dessus de la surface de la table.

Fig. E



Retrait de la plaque de lumière

- Retirez la plaque de lumière **17** en tournant le bouton de verrouillage de came **27** d'un quart de tour vers la gauche.

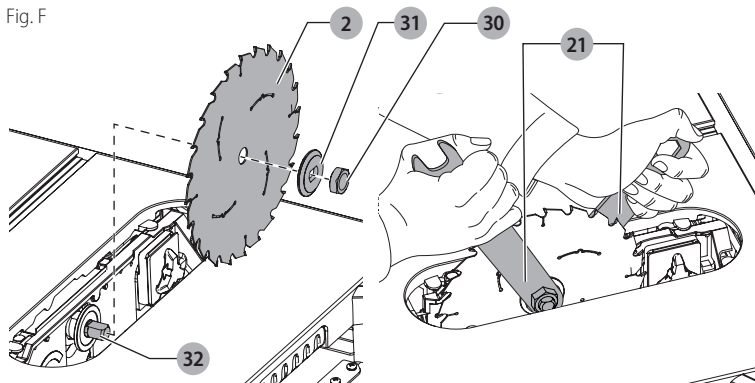
2. En utilisant le trou passe-doigt **29** sur la plaque, tirez la plaque de lumière vers le haut et l'avant pour exposer l'intérieur de la scie. **N'UTILISEZ PAS** la scie sans sa plaque de lumière.

AVERTISSEMENT : pour réduire tout risque de dommages corporels graves, la plaque de lumière doit être systématiquement verrouillée en place.

Installation/remplacement de la lame (Fig. A, E, F)

1. Relevez l'arbre de lame à sa hauteur maximale en tournant la molette de réglage de hauteur de lame **6** vers la droite.
2. Retirez la plaque de lumière **17**.
3. Retirez l'écrou d'arbre **30** et la rondelle de serrage **31** de l'arbre de scie en tournant vers la gauche.

Fig. F



4. Placez la lame sur l'arbre **32** en vous assurant que les dents de lame **2** sont orientées vers le bas et l'avant de la table. Insérez la rondelle de serrage **31** et l'écrou d'arbre sur l'arbre et resserrez l'écrou d'arbre **30** aussi loin que possible manuellement, en vérifiant bien que la lame se trouve contre la bride interne, et la rondelle de serrage contre la lame. Assurez-vous bien que le diamètre le plus large de la rondelle de serrage se trouve contre la lame. Assurez-vous que l'arbre et la rondelle de serrage sont exempts de poussières et débris.
5. Utilisez l'extrémité ouverte d'une clé **21** pour empêcher l'arbre de tourner pendant le serrage de l'écrou d'arbre.
6. À l'aide de l'autre clé, resserrez l'écrou d'arbre **30** en tournant vers la droite.
7. **REMARQUE :** différents types de lames produisent différents traits de scie (largeur de coupe). Aussi, il est nécessaire de vérifier le réglage de l'échelle de coupe lorsqu'on change de lame. Toute nouvelle lame installée ne DOIT pas excéder l'épaisseur indiquée sur le couteau diviseur. Le couteau diviseur fourni avec la scie a une épaisseur de 1,6 mm.

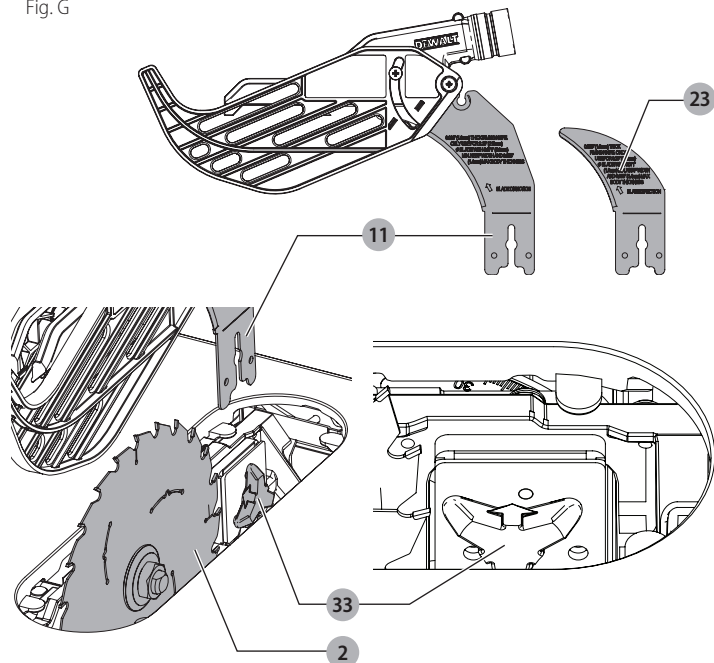
Installation/retrait du dispositif de carter de lame et du couteau diviseur (Fig. G)

AVERTISSEMENT : utiliser le dispositif de carter de lame pour toute coupe intégrale.

REMARQUE : la scie vient avec un couteau diviseur pour coupe non intégrale installé.

1. Relevez l'arbre de lame à sa hauteur maximale.
2. Desserrez le bouton de verrouillage du couteau diviseur **33** (minimum de trois tours).

Fig. G



3. Pour désengager la goupille de sécurité du couteau diviseur, poussez le bouton de verrouillage vers le couteau diviseur comme indiqué par les flèches sur le bouton.
4. Tout en continuant de pousser le bouton de verrouillage, sortez le couteau diviseur de sa fixation puis insérez à fond le dispositif de carter de lame sur la fixation.

AVERTISSEMENT : ne pas insérer le dispositif de carter de lame et le couteau diviseur en même temps sur la fixation.

5. Libérez le bouton de verrouillage pour activer la goupille de sécurité. Repoussez légèrement le carter de lame vers le haut pour vous assurer que la goupille est bien activée.
6. Resserrez le bouton de verrouillage du couteau diviseur.
7. Réinstallez la plaque de lumière.
8. Pour retirer le dispositif de carter de lame, suivez ces étapes en sens inverse.

REMARQUE : suivez la même procédure que ci-dessus pour installer le couteau diviseur.

AVERTISSEMENT : avant d'installer le bloc-piles sur la scie de table ou d'utiliser celle-ci, inspecter systématiquement l'alignement du dispositif de carter de lame et du couteau diviseur ainsi que l'espacement avec la lame. Vérifier l'alignement après chaque changement d'angle de biseau.

REMARQUE : NE PAS utiliser la scie si la goupille de sécurité du couteau diviseur n'est pas verrouillée dans le carter de lame ou le couteau diviseur.

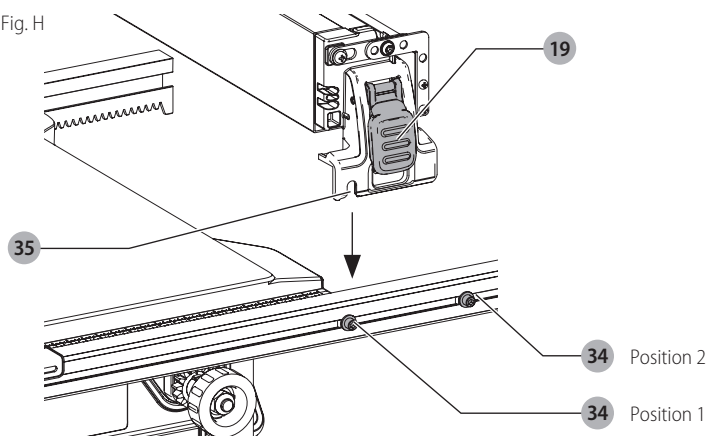
L'alignement sera correctement réalisé, lorsque le couteau diviseur sera aligné avec la lame à la fois au niveau supérieur de la table et au sommet de la lame. À l'aide d'un guide de chant, assurez-vous que la lame **2** est alignée avec le couteau diviseur **23**, comme illustré en figure G. Alors que la scie est hors alimentation, faites passer les réglages d'inclinaison et de hauteur de lame d'un extrême à l'autre, et assurez-vous que le dispositif de carter de lame ne touche pas la lame pendant l'ensemble de l'opération, et que le dispositif anti-rebonds fonctionne correctement.

Installation du guide longitudinal (Fig. H)

Le guide longitudinal peut être installé sur deux positions à droite (position 1 pour coupes longitudinales de 0 à 20 po, et position 2 pour coupes longitudinales de 4 à 24 po), et une position à gauche de la scie de table.

1. Alignez les goupilles de positionnement **34** des barres de guidage sur les encoches **35** à l'extrémité de chaque guide.
2. Posez le guide sur la barre, comme illustré en figure H, en maintenant l'alignement des goupilles et des encoches à l'extrémité de chaque guide.
3. Arrimez le guide longitudinal en enclenchant les verrous **19** sur les barres de guidage. Assurez-vous de bien enclencher les deux verrous, avant et arrière.
- 4.

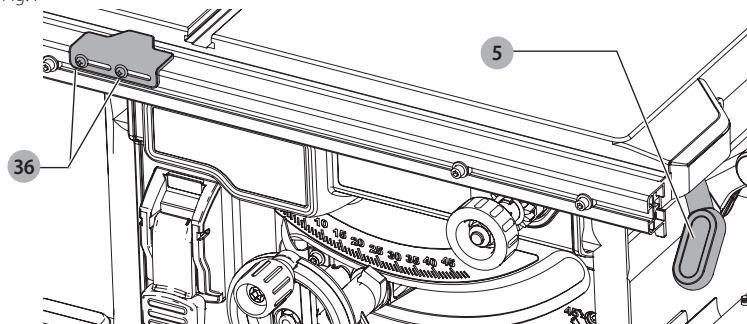
Fig. H



Réglage de l'échelle de coupe (Fig. I)

1. Déverrouillez le levier de verrouillage de rail **5**.
2. Réglez la lame sur le biseau 0° et déplacez le guide vers l'intérieur jusqu'à ce qu'il touche la lame.
3. Refermez le levier de verrouillage de rail.
4. Desserrez les vis de l'indicateur d'échelle de coupe **36** et réglez l'indicateur d'échelle de coupe sur zéro **0**. Resserrez les vis de l'indicateur d'échelle de coupe. La lecture de l'échelle de coupe jaune (supérieure) est valide seulement lorsque le guide est installé à droite de la lame et sur la position 1 (coupe longitudinale de 0 à 20 po, et non sur la position de 24 po). La lecture de l'échelle de coupe blanche (inférieure) est valide seulement lorsque le guide est installé à droite de la lame et sur la position 2 (coupe longitudinale de 4 à 24 po). Des échelles métriques sont vendues séparément, reportez-vous à la section Accessoires pour plus de détails.

Fig. I



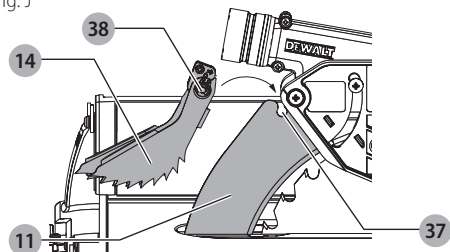
Dispositif anti-rebonds (Fig. J)

AVERTISSEMENT : pour réduire tout risque de dommages corporels graves, le dispositif anti-rebonds doit être installé pour toutes les coupes où c'est possible.

1. Retirez le dispositif anti-rebonds **14** de sa position de stockage en poussant sur la goupille. Reportez-vous à la section **Stockage**.
2. Repérez le trou de fixation du dispositif anti-rebonds **37** sur la partie arrière supérieure du dispositif de carter de lame **11**.
3. Alignez la goupille **38** sur le trou de fixation. Poussez sur la goupille et appuyez à fond sur le dispositif anti-rebonds **14** jusqu'à ce qu'il s'encastre et soit verrouillé en place.
4. Pour retirer le dispositif anti-rebonds, poussez sur la goupille et tirez-le vers le haut hors du trou de fixation.

Alors que le bloc-piles est retiré, faites passer les réglages d'inclinaison et de hauteur de lame d'un extrême à l'autre, et assurez-vous que le dispositif de carter de lame ne touche pas la lame pendant l'ensemble de l'opération, et que le dispositif anti-rebonds fonctionne correctement.

Fig. J



Installation sur établi (Fig. A)

REMARQUE : des socles portatifs de scie de table conçus pour être utilisés avec cette scie sont vendus séparément chez votre distributeur ou centre de réparation DEWALT local.

AVERTISSEMENT : pour réduire tout risque de dommages corporels graves, arrêter l'outil et retirer le bloc-piles avant tout réglage ou avant de retirer ou installer toute pièce ou tout accessoire. Tout démarrage accidentel comporte des risques de dommages corporels.

AVERTISSEMENT : pour réduire tout risque de dommages corporels, la scie doit être soigneusement arrimée pour prévenir tout mouvement intempestif pendant l'utilisation.

La scie de table doit être solidement fixée sur un socle, établi ou tout autre support rigide et stable, de façon à ce qu'elle ne se déplace pas lors de la coupe et ne soit pas renversée par de larges matériaux en porte-à-faux. Il y a quatre trous de fixation **9** sur le châssis métallique pour permettre d'arrimer soigneusement la scie de table à un socle ou tout autre support.

1. Centrez la scie comme désiré sur une surface portante stable.
 2. Insérez quatre longues vis de 88,9 mm (3-1/2 po) dans les trous **9** du châssis métallique. Assurez-vous que les vis dépassent assez du châssis pour arrimer soigneusement la scie à la surface portante.
- REMARQUE :** si l'on veut éviter de rayer la surface portante, la scie de table peut être montée sur un rebut de bois qui pourra lui-même être ancré à la surface portante désirée.
3. Coupez un morceau de contreplaqué de 19 mm (3/4 po) que vous placerez sous le châssis de la scie.
 4. Vissez la scie au contreplaqué et arrimez la partie du contreplaqué dépassant à la surface portante. Si les vis dépassent de la surface du contreplaqué, posez-le sur deux rebuts d'un matériau d'épaisseur égale et fixez-les sur les bords du contreplaqué pour maintenir la scie au-dessus de la surface portante et éviter que les vis ne rayent la surface.

ASSEMBLAGE ET AJUSTEMENTS

AVERTISSEMENT : pour réduire le risque de blessures graves, éteindre l'outil et retirer le bloc-piles avant d'effectuer tout réglage et d'enlever ou d'installer tout accessoire. Un démarrage accidentel peut provoquer des blessures.

REMARQUE : cette scie a été parfaitement et précisément réglée en usine au moment de sa fabrication. Si en raison du transport, de la manutention, ou pour toute autre raison, un ajustement s'avérait nécessaire, suivre les instructions ci-après pour régler votre scie.

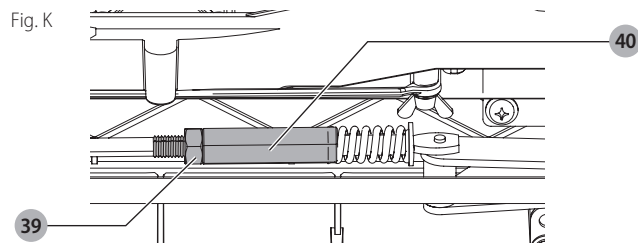
Une fois effectués, ces réglages devraient demeurer corrects. Prenez, dès à présent, un minimum de temps pour suivre soigneusement ces directives pour maintenir la précision dont cette scie est capable.

Réglage du verrouillage de rail (Fig. I, K)

(Resserrage du dispositif de verrouillage de guide)

1. Verrouillez le levier de verrouillage de rail **5**.
2. Sur l'envers de la scie, desserrez le contre-écrou **39**.
3. Resserrez la tige hexagonale **40** jusqu'à ce que le ressort du système de verrouillage soit plus comprimé (mais pas complètement) pour créer la tension désirée sur le levier de verrouillage de rail. Resserrez le contre-écrou sur la tige hexagonale.
4. Vérifiez que le guide reste fixe lorsque le levier de verrouillage est activé. Si ce n'est pas le cas, resserrez le ressort un peu plus.

Fig. K



Réglage de l'échelle de coupe

Reportez-vous à la section **Réglage de l'échelle de coupe** sous **Montage**.

Réglage de l'alignement de lame (Fig. L)

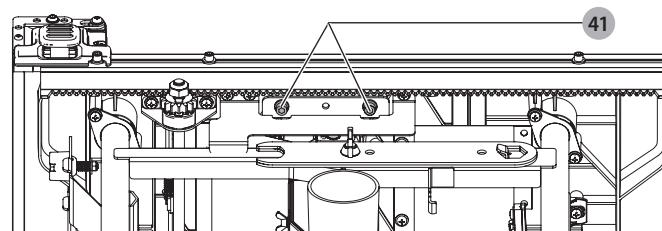
(Lame parallèle à la fente d'onglet)

AVERTISSEMENT : risques de coupure. Vérifier la lame à 0° et 45° pour s'assurer que la lame ne rentre pas en contact avec la plaque de lumière et cause des dommages corporels.

Si la lame ne semble plus alignée avec la fente d'onglet sur le dessus de la table, il faudra effectuer un recalibrage. Pour réaligner la lame et la fente d'onglet, suivez la procédure ci-après :

AVERTISSEMENT : pour réduire tout risque de dommages corporels graves, arrêter l'outil et retirer le bloc-piles avant tout réglage ou avant de retirer ou installer toute pièce ou tout accessoire. Tout démarrage accidentel comporte des risques de dommages corporels.

Fig. L

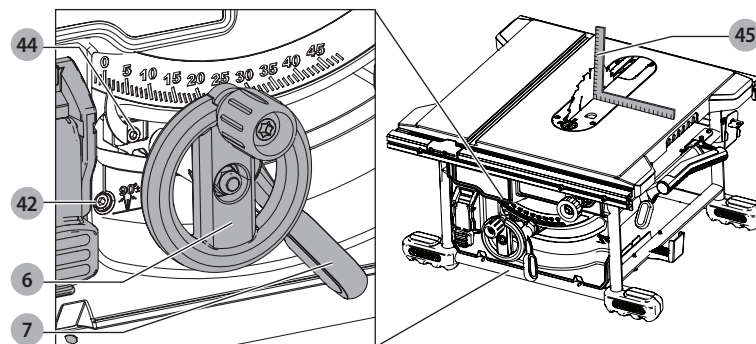


1. À l'aide d'une clé hexagonale de 5 mm, desserrez les fixations du support pivotant arrière **41**, juste assez pour permettre au support d'être déplacé sur le côté.
2. Ajustez le support pour que la lame soit parallèle à la fente de guide d'onglet.
3. Resserrez les fixations du support pivotant arrière de 12,5 à 13,6 Nm (110 à 120 pi lb.)

Réglage de la butée et de l'indicateur de biseau (Fig. M)

1. Élevez complètement la lame en tournant au maximum la molette de hauteur de lame **6** vers la droite.
2. Déverrouillez le levier de verrouillage de biseau **7** en le poussant vers le haut et la droite. Dévissez la vis de butée de biseau **42**.
3. Disposez une équerre **45** à plat contre la table et contre la lame entre les dents, comme illustré en figure M. Assurez-vous que le levier de verrouillage de rail est levé, c'est-à-dire déverrouillé.
4. À l'aide du levier de verrouillage de biseau, ajustez l'angle de biseau jusqu'à ce qu'il soit à plat contre l'équerre.
5. Verrouillez le levier de verrouillage de biseau en le rabattant.
6. Tournez la vis de butée de biseau **42** pour tourner la came jusqu'à obtenir un contact ferme avec le corps de palier. Revissez la vis de butée de biseau **42**.
7. Vérifiez l'échelle d'angle de biseau. Si l'indicateur n'est pas sur 0°, desserrez la vis de l'indicateur **44** et ajustez l'indicateur sur le bon angle. Resserrez la vis de l'indicateur.
8. Répétez à 45°, mais sans ajuster l'indicateur.

Fig. M

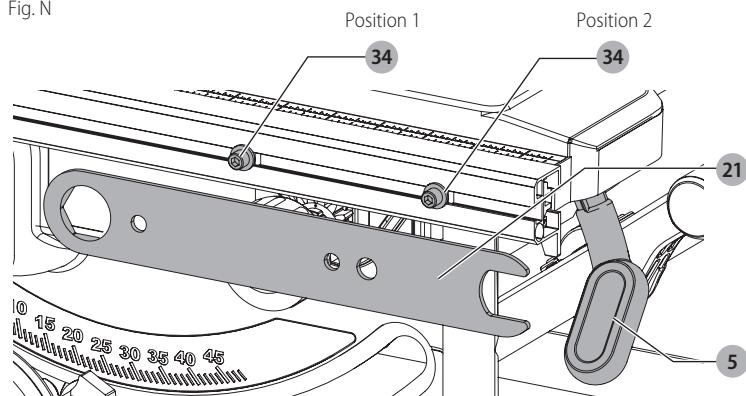


Réglage de l'alignement du guide (Fig. H, N)

(Lame parallèle au guide)

En cas de problème avec l'alignement du guide, et s'il s'avère nécessaire de redresser le parallélisme entre le guide et la lame, assurez-vous de vérifier d'abord l'alignement de la lame et de la fente d'onglet. Une fois que ces derniers sont alignés, effectuez l'alignement entre la lame et le guide de la façon suivante :

Fig. N



Position 1 d'alignement de guide

1. Installez le guide en position 1 (reportez-vous à la figure H) puis déverrouillez le levier de verrouillage de rail 5. Situez les deux goupilles de positionnement 34 qui retiennent le guide à l'avant et à l'arrière des barres de guidage.
2. Dévissez la vis de la goupille de positionnement arrière et ajustez l'alignement du guide dans la rainure jusqu'à ce que la face du guide soit parallèle à la lame. Assurez-vous de bien vérifier l'alignement de la face de guide avec l'avant et l'arrière de la lame.
3. Resserrez la vis de la goupille de positionnement.
4. Vérifiez le réglage de l'indicateur d'échelle de coupe.

REMARQUE : suivre les instructions de la section Position 1 d'alignement du guide pour aligner le guide sur le côté gauche de la lame.

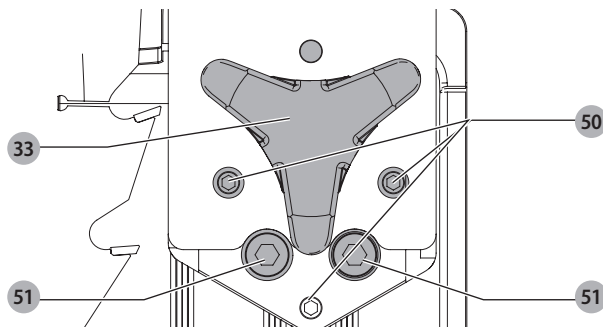
Position 2 d'alignement de guide

1. Pour aligner les goupilles de positionnement de guide en position 2, assurez-vous que les goupilles de position 1 sont bien alignées, puis reportez-vous à la section Position 1 d'alignement de guide.
2. Desserrez les goupilles de positionnement de position 2, puis en utilisant les trous de la clé pour lame 21 comme guide de positionnement, alignez les goupilles (fig. N).
3. Resserrez les goupilles de positionnement (avant et arrière).

Alignement du couteau diviseur et de la lame (Fig. O)

1. Retirez la plaque de lumière. Reportez-vous à la section **Retrait de la plaque de lumière** sous **Montage**.
2. Ajustez la lame à la profondeur de coupe maximale pour un angle de biseau de 0°.
3. Repérez les trois petites vis de pression 50 près du bouton de verrouillage du couteau diviseur 33. Ces vis seront utilisées pour ajuster la position du couteau diviseur.
4. Posez un guide de chant sur la table contre deux pointes de lame. Le couteau diviseur ne devrait pas toucher le guide de chant.
5. Si nécessaire, dévissez les deux larges vis de blocage 51.
6. Utilisez les petites vis de pression 50 pour ajuster la position du couteau diviseur. Posez le guide de chant à l'opposé sur la lame et répétez l'ajustement si nécessaire.
7. Vissez légèrement les deux larges vis de blocage 51.
8. Disposez une équerre contre le couteau diviseur pour vérifier qu'il est bien vertical et aligné avec la lame.
9. Si nécessaire, utilisez les vis de pression pour aligner verticalement le couteau diviseur avec l'équerre.
10. Répétez l'étape 4 pour vérifier la position du couteau diviseur. Répétez les étapes 5 à 9 le cas échéant.
11. Vissez à fond les deux larges vis de blocage 51.

Fig. O



Lames de scie

AVERTISSEMENT : pour fonctionner correctement, les couteaux diviseurs doivent cadrer avec les dimensions de la lame. Se reporter aux sections **Couteau séparateur** et **Couteau diviseur**. Utiliser exclusivement des lames de 210 mm (8-1/4 po) de diamètre sur cette scie de table.

- La lame fournie avec votre nouvelle scie est une lame mixte de 210 mm (8-1/4 po), utilisée pour la coupe transversale (contre le grain), la coupe longitudinale (dans le sens du grain) et intégrale du matériau. Le trou central d'alésage est de 16 mm (5/8 po) de diamètre. Cette lame produira une coupe de bonne qualité pour la plupart des applications.

- Il existe de nombreux types de lames disponibles pour faire des travaux spécifiques ou spéciaux comme : uniquement la coupe transversale ou la coupe longitudinale, la coupe biconcave, pour le contreplaqué fin, le panneau, etc.
- Utilisez seulement des lames conçues pour fonctionner en toute sécurité à des vitesses de 6 000 r/min ou plus.
- Maintenez systématiquement les lames bien aiguisées. Il est recommandé de repérer un aiguiser de bonne réputation près de chez vous pour affûter vos lames chaque fois que nécessaire.
- N'empilez jamais vos lames les unes sur les autres. Séparez-les avec du carton, ou autre, pour prévenir tout contact entre les lames.

AVERTISSEMENT : pour réduire tout risque de dommages corporels, les meules ou lames abrasives (y compris diamant) ne doivent pas être utilisées avec cette scie.

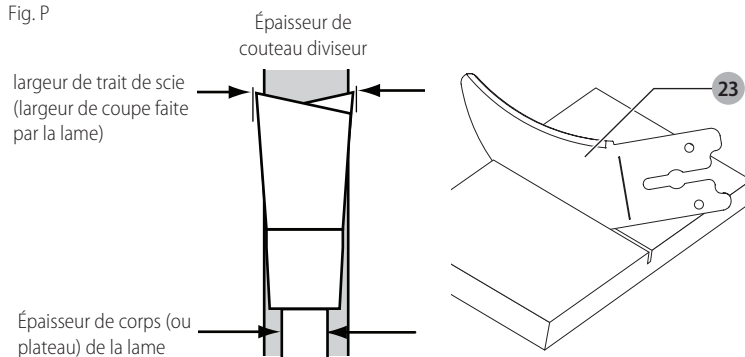
Sélection du couteau séparateur et couteau diviseur (Fig. P)

AVERTISSEMENT : pour minimiser tout risque de rebonds et assurer une coupe adéquate, le couteau séparateur et le couteau diviseur doivent avoir l'épaisseur adaptée à la lame utilisée.

Le couteau séparateur et le couteau diviseur fournis avec cette scie de table sont adaptés à la lame fournie avec la scie.

Si une lame différente est utilisée, vérifiez l'épaisseur du corps de lame (plateau) et la largeur de trait de scie (coupe) imprimées sur la lame ou l'emballage de lame. L'épaisseur du couteau séparateur et celle du couteau diviseur doivent être supérieures à l'épaisseur du corps de lame et inférieures à la largeur du trait de scie, comme illustré en figure P.

Fig. P



Le couteau diviseur fourni avec la scie comporte les inscriptions suivantes :

ÉPAISSEUR DE COUPEAU DIVISEUR : 1,6 mm (0,063 po). À UTILISER EXCLUSIVEMENT AVEC DES LAMES DE 210 mm (8 ¼ po) D'UNE LARGEUR DE TRAIT DE SCIE DE 1,8 mm (0,071 po) ET D'UNE ÉPAISSEUR DE CORPS MAXIMUM DE 1,4 mm (0,055 po).

Les dimensions d'épaisseur de corps de lame et de largeur de traits de scie pour toutes les lames de scie de table DeWALT sont disponibles sur le site www.dewalt.com.

Si une lame différente est utilisée et que les dimensions d'épaisseur de corps et de largeur de trait de scie ne sont pas disponibles, utilisez la procédure suivante pour déterminer l'épaisseur correcte de couteau diviseur :

1. Mesurez l'épaisseur de corps de la lame.
2. Effectuez une petite entaille dans un rebut en bois et mesurez l'épaisseur de trait de scie.
3. Prenez le couteau diviseur 23.
4. Insérez le couteau diviseur dans l'entaille faite à l'étape 2 pour vérifier que vous avez choisi le couteau diviseur adéquat. Le couteau diviseur ne devrait ni rester coincé ni être freiné dans l'entaille.

AVERTISSEMENT : si l'on rencontre un grippage ou un freinage alors que le matériau rencontre le couteau diviseur, arrêter l'appareil et retirer le bloc-piles. Répéter les étapes 1 à 4 pour sélectionner le couteau diviseur adéquat avant de tenter toute nouvelle coupe.

Rebonds

Les rebonds sont dangereux ! Ils sont causés par une pièce qui s'agrippe à la lame. Le résultat en est que la pièce peut rapidement être éjectée dans la direction opposée à l'avance de coupe. Pendant un rebond, la pièce peut être projetée sur l'utilisateur. Ils peuvent aussi entraîner la main de l'utilisateur sur le chemin de scie si celle-ci est située derrière la lame. En cas de rebond, arrêtez la scie et vérifiez le fonctionnement du couteau diviseur, du dispositif anti-rebonds, et du dispositif de carter de lame avant de continuer à travailler.

AVERTISSEMENT : se reporter à la section **Règles de sécurité additionnelles propres aux scies** de table et suivre toutes directives relatives aux **REBONDS**.

UTILISATION

AVERTISSEMENT : pour réduire le risque de blessures graves, éteindre l'outil et retirer le bloc-piles avant d'effectuer tout réglage et d'enlever ou d'installer tout accessoire. Un démarrage accidentel peut provoquer des blessures.

AVERTISSEMENT : avant toute utilisation de la scie, vérifier systématiquement les éléments suivants :

- Porter **SYSTÉMATIQUEMENT** un équipement de protection oculaire, auditif et respiratoire adéquat.
- La lame est soigneusement ressermée.
- Les leviers de verrouillage de rail et d'angle de biseau sont verrouillés.
- En cas de coupes longitudinales, s'assurer que le levier de verrouillage de guide longitudinal est verrouillé et que le guide est parallèle à la lame.
- En cas de coupes transversales, s'assurer que le bouton de guide d'onglet est soigneusement ressermé.

- Le dispositif de carter de lame est correctement rattaché et le dispositif anti-rebonds fonctionne correctement.
- Inspecter **SYSTÉMATIQUEMENT** l'alignement et le bon fonctionnement du dispositif de carter de lame et du couteau diviseur ainsi que l'espacement avec la lame.
- S'assurer **SYSTÉMATIQUEMENT** que les deux dispositifs de protection sont abaissés et en contact avec la table avant toute utilisation.

AVERTISSEMENT : pour réduire tout risque de dommages corporels graves, avoir le pousoir de fin de passe à portée de main avant de commencer à scier.

Tout manquement à ces consignes de sécurité fondamentales augmente grandement les risques de dommages corporels.

AVERTISSEMENT : avant d'installer le bloc-piles sur la scie de table ou d'utiliser celle-ci, inspecter systématiquement le bon fonctionnement et l'alignement du dispositif de carter de lame et du couteau diviseur ainsi que l'espacement avec la lame.

AVERTISSEMENT : la coupe longitudinale ou transversale peut faire basculer la scie en cours d'utilisation. S'assurer que la scie est solidement fixée à une surface stable.

AVERTISSEMENT : ne jamais utiliser ensemble le guide et le guide d'onglet. Cela pourrait causer des rebonds et entraîner des dommages corporels.

ATTENTION : si la scie fait un bruit inhabituel ou vibre excessivement, arrêter aussitôt toute opération, arrêter l'outil et retirer son bloc-piles jusqu'à ce que le problème ait été identifié et corrigé. Si le problème persiste, contacter un centre de réparation d'usine DEWALT, un centre de réparation agréé DEWALT ou tout autre personnel de réparation qualifié.

AVERTISSEMENT : une plaque de lumière appropriée doit être systématiquement installée pour réduire tout risque d'éjection de pièce et de dommages corporels.

Il existe deux types principaux de coupe avec cette scie de table : la coupe longitudinale et la coupe transversale. Peu importe le matériau, bois naturel ou préfabriqué, la distinction entre la coupe longitudinale et la coupe transversale est la suivante : la coupe longitudinale correspond à réduire la largeur (en général dans le fil du bois), et la coupe transversale correspond à réduire la longueur du matériau (en général contre le fil).

AVERTISSEMENT : lors d'une coupe longitudinale, utiliser systématiquement le guide pour guider le matériau et le dispositif de carter de lame pour se protéger des rebonds.

AVERTISSEMENT : ne jamais effectuer de coupe à main levée. Ne jamais effectuer de coupe en plongée.

AVERTISSEMENT : lors de coupes transversales, utiliser systématiquement le guide d'onglet. Ne jamais utiliser le guide longitudinal et le guide d'onglet ensemble.

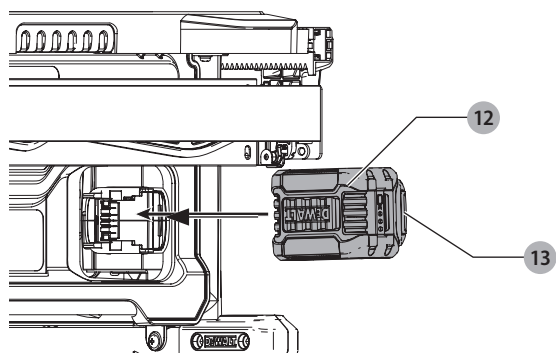
Installation et retrait du bloc-piles (Fig. Q)

REMARQUE : pour optimiser les résultats, s'assurer que le bloc-piles est complètement chargé.

Pour installer le bloc-piles **12** dans l'outil, alignez le bloc-piles sur les rails dans l'outil et faites-le glisser fermement en place puis vérifiez qu'il ne s'en détachera pas.

Pour retirer le bloc-piles de l'outil, poussez sur le bouton de libération **13** et tirez fermement le bloc-piles hors de l'outil. Insérez-le dans son chargeur comme décrit dans la section appropriée de ce guide d'utilisation.

Fig. Q



Utilisation de l'interrupteur Marche-Arrêt (Fig. R)

AVERTISSEMENT : pour réduire tout risque de dommages corporels, s'assurer que l'interrupteur est en position d'arrêt avant d'insérer un bloc-piles.

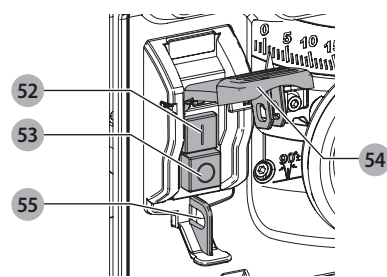
Soulevez la manette rouge et poussez le bouton vert **52** pour mettre la scie en marche.

Poussez le bouton rouge **53** ou abaissez la manette rouge **54** pour arrêter la scie.

Verrouillage de la scie

L'interrupteur marche-arrêt peut être verrouillé pour prévenir toute opération non autorisée de la scie. Pour verrouiller l'interrupteur en position d'arrêt, insérez un cadenas dans la manette rouge et le trou de verrouillage **55** pour verrouiller la scie à l'arrêt. Le cadenas ne devrait pas excéder 6,35 mm (1/4 po) de diamètre.

Fig. R



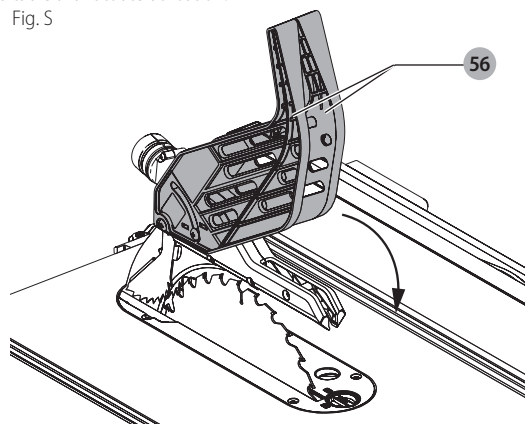
Fonctionnalité du dispositif de protection (Fig. S)

AVERTISSEMENT : pour réduire tout risque de dommages corporels graves, arrêter l'outil et retirer le bloc-piles avant tout réglage ou avant de retirer ou installer toute pièce ou tout accessoire. Tout démarrage accidentel comporte des risques de dommages corporels.

1. En position verticale, les bras du dispositif de protection **56** seront verrouillés.
2. Cette fonctionnalité augmente la visibilité pour mesurer la distance entre la lame et le guide.
3. Abaissez le(s) dispositif(s), et ils se déverrouilleront pour permettre l'utilisation de la scie.

REMARQUE : tirer sur le dispositif anti-rebonds pour s'assurer qu'il est bien verrouillé en place. S'assurer **SYSTÉMATIQUEMENT** que les deux dispositifs de protection sont abaissés et en contact avec la table avant toute utilisation.

Fig. S



Utilisation du guide longitudinal (Fig. A, T)

Levier de verrouillage de rail (Fig. A)

Le levier de verrouillage de rail **5** verrouille le guide en place pour prévenir tout mouvement pendant la coupe. **Pour verrouiller le levier de verrouillage de rail, rabattez-le vers l'arrière de la scie. Pour le déverrouiller, tirez-le vers le haut et l'avant de la scie.**

AVERTISSEMENT : lors d'une coupe longitudinale, verrouiller systématiquement le levier de verrouillage de rail.

Support télescopique/guide longitudinal étroit (Fig. T)

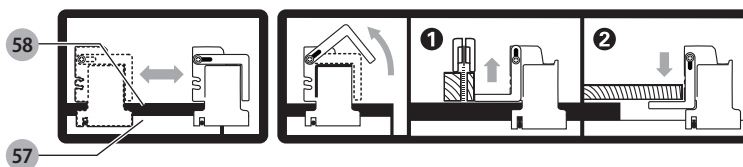
Votre scie de table est équipée d'un guide longitudinal étroit qui peut aussi soutenir toute pièce qui dépasserait de la table de scie.

Pour utiliser le guide longitudinal étroit en position de support d'ouvrage, faites-le sortir de son logement, comme illustré en figure T, et poussez les goupilles sur l'ensemble des orifices inférieurs **57** à chaque extrémité du guide.

Pour utiliser le guide longitudinal étroit en position de coupe longitudinale étroite, enclenchez les goupilles sur l'ensemble des orifices supérieurs **58** à chaque extrémité du guide.

Cette fonctionnalité offrira un espacement supplémentaire de 51 mm (2 po) à la lame. Reportez-vous à la figure T.

Fig. T



REMARQUE : après utilisation, entreposer le guide longitudinal étroit dans son logement.

REMARQUE : ce guide permet au dispositif de protection de rester sur la scie pour effectuer des coupes longitudinales étroites. Ce guide laissera suffisamment d'espace pour utiliser un pousoir de fin de passe.

Bouton de réglage de précision (Fig. A)

Le bouton de réglage de précision **4** permet d'effectuer des réglages de précision sur le guide. Avant le réglage, assurez-vous que le levier de verrouillage de rail est levé, c'est-à-dire déverrouillé.

Indicateur d'échelle de coupe

L'indicateur d'échelle de coupe devra être réajusté pour le fonctionnement correct du guide longitudinal chaque fois que l'utilisateur passera d'une lame à trait fin à une lame à trait épais. La lecture de l'indicateur d'échelle de coupe sera correcte uniquement en position 1 (de 0–24 po). Cependant en position 1 avec un guide longitudinal étroit, rajoutez 51 mm (2 po.). Reportez-vous à la section Réglage de l'échelle de coupe sous Montage.

Coupe longitudinale (Fig. U)

AVERTISSEMENT : ne jamais toucher l'« extrémité libre » de la pièce à travailler ou la « chute » qui est coupée, alors que le moteur est en MARCHE et/ou que la lame est toujours en rotation. Ce morceau pourrait entrer en contact avec la lame et être violemment éjecté, posant ainsi des risques de dommages corporels.

AVERTISSEMENT : utiliser **SYSTÉMATIQUEMENT** un guide longitudinal pour toute coupe longitudinale pour prévenir toute perte de contrôle de la pièce/scie et tout dommage corporel. **NE JAMAIS** effectuer de coupe longitudinale à main levée. Verrouiller **SYSTÉMATIQUEMENT** le guide au rail.

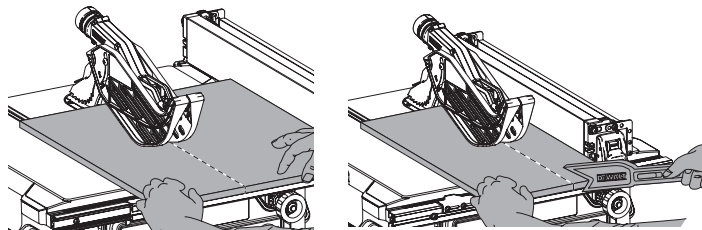
AVERTISSEMENT : pour toute coupe longitudinale biseautée, et chaque fois que possible, disposer le guide sur le côté de la lame de façon à ce qu'elle soit inclinée dans la direction opposée au guide et aux mains.

AVERTISSEMENT : protéger les mains de la lame.

AVERTISSEMENT : utiliser un poussoir de fin de passe pour alimenter la pièce à travailler s'il y a entre 51 et 152 mm (2 et 6 po) entre le guide et la lame. Utiliser un guide longitudinal étroit et un bloc-poussoir pour alimenter la pièce à travailler s'il y a 51 mm (2 po) ou moins entre le guide et la lame.

1. Verrouillez le guide longitudinal en abaissant le levier de verrouillage de rail. Retirez le guide d'onglet.
2. Surélevez la lame pour qu'elle soit à peu près à 3,2 mm (1/8 po) au-dessus de la pièce à machiner.
3. Maintenez la pièce à plat sur la table et contre le guide. Maintenez la pièce à environ 25,4 mm (1 po) de la lame.

Fig. U



AVERTISSEMENT : la pièce à travailler doit avoir un bord droit contre le guide et ne doit être ni gondolée, ni déformée, ni courbe. Protéger les deux mains de la lame et les maintenir à l'écart du chemin de lame. Se reporter à la position adéquate des mains en figure U.

4. Mettez la scie en marche et laissez la lame prendre de la vitesse. Les deux mains peuvent être utilisées pour commencer la coupe. Lorsqu'il ne reste plus qu'environ 305 mm (12 po) à couper, utilisez une main seulement, en utilisant le pouce pour pousser le matériau, l'index et le doigt suivant pour maintenir le matériau à plat, et les autres doigts sur le guide. Maintenez systématiquement le pouce contre les deux premiers doigts et près du guide.
5. Tout en maintenant la pièce contre la table et le guide, alimentez lentement la pièce depuis l'arrière jusque dans la lame. Continuez à pousser jusqu'à ce que la pièce passe de l'autre côté du dispositif de carter de lame et tombe à l'arrière de la table. Ne surchargez pas le moteur.
6. Ne tentez jamais de tirer la pièce en arrière quand la lame est en rotation. Arrêtez la machine, laissez la lame s'arrêter complètement, soulevez les dents du dispositif anti-rebonds de chaque côté du couteau diviseur, si nécessaire, et retirez la pièce.
7. Utilisez systématiquement un support de travail pour scier de longs morceaux de matériau, ou des panneaux. Un chevalet, une table à rouleaux ou un dispositif de sortie peut offrir un support adéquat. Le support de travail doit être de la même hauteur ou légèrement plus bas que la table de scie.

AVERTISSEMENT : ne jamais pousser ou maintenir l'extrémité « libre » ou « coupée » de la pièce à travailler si elle se trouve entre la lame et le guide.

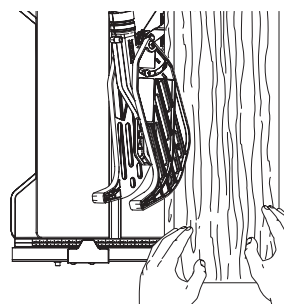
Coupes longitudinales de petites pièces

Il est dangereux de couper longitudinalement de petites pièces. Il est dangereux de laisser les mains s'approcher trop près de la lame. Il est conseillé plutôt de couper une pièce plus large pour obtenir la taille désirée. Lorsqu'une petite largeur doit être découpée et que la main ne peut pas être mise entre la lame et le guide longitudinal sans présenter de risques, utilisez un ou plusieurs poussoirs de fin de passe. Un schéma est inclus en fin de manuel pour fabriquer des poussoirs de fin de passe. Un poussoir de fin de passe 22 est inclus avec cette scie, et est rattaché au guide longitudinal. Utilisez le/les poussoir(s) de fin de passe pour maintenir la pièce contre la table et le guide, et pousser complètement la pièce au-delà de la lame. Le guide longitudinal étroit de cette scie de table peut être utilisé pour effectuer des coupes longitudinales étroites. Il est aussi possible d'utiliser un guide longitudinal étroit auxiliaire. Des instructions pour construire un guide auxiliaire sont fournies en fin de manuel.

Taille en biseau

Cette opération est identique à une coupe longitudinale sauf que l'angle de biseau est ajusté à un angle autre que zéro. Reportez-vous en figure V pour la position adéquate des mains.

Fig. V



AVERTISSEMENT : avant d'installer le bloc-piles sur la scie de table ou d'utiliser celle-ci, inspecter systématiquement l'alignement du dispositif de carter de lame et du couteau diviseur ainsi que l'espacement avec la lame. Vérifier l'alignement après chaque changement d'angle de biseau.

Coupe transversale (Fig. V)

AVERTISSEMENT : **NE JAMAIS** utiliser ensemble le guide longitudinal et le guide d'onglet.

AVERTISSEMENT : **NE JAMAIS** toucher l'« extrémité libre » de la pièce à travailler ou « chute » qui est coupée, alors que le moteur est en MARCHE et/ou que la lame est toujours en rotation. Ce morceau pourrait entrer en contact avec la lame et être violemment éjecté, posant ainsi des risques de dommages corporels.

AVERTISSEMENT : pour réduire tout risque de dommages corporels, **NE JAMAIS** utiliser le guide en tant que guide ou butée de longueur pour faire des coupes transversales.

AVERTISSEMENT : **NE JAMAIS** utiliser de butée de longueur sur l'extrémité libre de la pièce lors de coupes transversales. En bref, la chute de toute coupe intégrale (couper une pièce de bout en bout) ne doit jamais être retenue. Elle doit pouvoir s'éloigner de la lame pour prévenir tout contact avec la lame, être violemment rejetée et poser des risques de dommages corporels.

AVERTISSEMENT : prendre des précautions en début de coupe pour prévenir tout grippage du dispositif de carter de lame contre la pièce qui pourrait causer des dommages matériels et corporels.

AVERTISSEMENT : lorsqu'on utilise un bloc comme gabarit de coupe, le bloc doit avoir une épaisseur minimale de 19 mm (3/4 po), et il est très important que l'arrière du bloc soit positionné de façon à ce que la pièce ne touche pas le bloc avant de pénétrer la lame, pour prévenir tout contact avec la lame et empêcher que la pièce ne soit violemment éjectée et pose des risques de dommages corporels.

1. Retirez le guide longitudinal et installez le guide d'onglet sur l'emplacement désiré.
2. Ajustez la hauteur de lame pour qu'elle soit à environ 3,2 mm (1/8 po) au-dessus de la pièce à travailler.
3. Maintenez fermement la pièce contre le guide d'onglet 10 alors que le chemin de lame est aligné avec la position de coupe désirée. Maintenez la pièce à deux centimètres environ de l'avant de la lame. PROTÉGER LES MAINS DE LA LAME ET LES MAINTENIR À L'ÉCART DU CHEMIN DE LAME (Fig. V).
4. Mettez la scie en marche et laissez la lame prendre de la vitesse.
5. Maintenez à deux mains la pièce contre l'avant du guide d'onglet, tout en la maintenant à plat contre la table, et poussez-la lentement au travers de la lame.
6. Ne tentez jamais de tirer la pièce en arrière alors que la lame tourne. Arrêtez la machine, laissez la lame s'arrêter complètement, et retirez lentement la pièce.

AVERTISSEMENT : ne jamais toucher ou maintenir le bout « libre » ou « coupé » de la pièce à travailler.

Coupes transversales en biseau

Cette opération est identique à une coupe transversale sauf que l'angle de biseau est ajusté à un angle autre que zéro.

AVERTISSEMENT : avant d'installer le bloc-piles sur la scie ou d'utiliser celle-ci, inspecter systématiquement l'alignement du dispositif de carter de lame et du couteau diviseur ainsi que l'espacement avec la lame. Vérifier l'alignement après chaque changement d'angle de biseau.

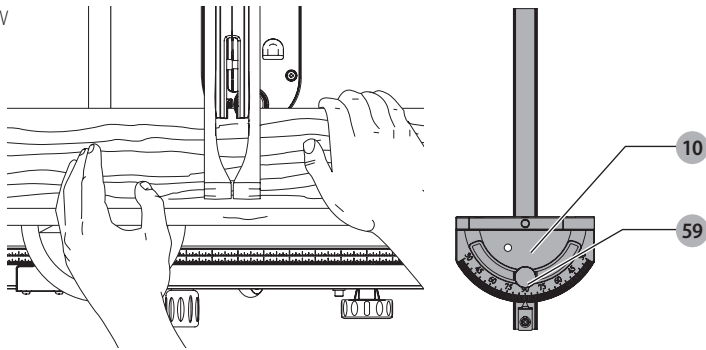
Onglets (Fig. W)

AVERTISSEMENT : les onglets supérieurs à 45° peuvent forcer le dispositif de carter de lame dans la lame, endommager celui-ci et causer des dommages corporels. Avant de mettre le moteur en marche, tester l'opération en alimentant la pièce au travers du dispositif de carter de lame. Si le dispositif de carter de lame entre en contact avec la lame, disposer la pièce sous le dispositif de carter de lame, sans toucher la lame, avant de remettre le moteur en marche.

AVERTISSEMENT : certaines formes de pièces, comme les moulures, peuvent ne pas soulever le dispositif de carter de lame correctement. Alimentez la pièce lentement pour commencer la coupe. Si le dispositif de carter de lame entre en contact avec la lame, disposer la pièce sous le dispositif de carter de lame, sans toucher la lame, avant de remettre le moteur en marche.

Cette opération est identique à une coupe transversale sauf que le guide d'onglet est verrouillé à un angle autre que zéro. Maintenez FERMEMENT la pièce contre le guide d'onglet 10 et poussez-la lentement vers la lame (pour l'empêcher de se déplacer).

Fig. W



Utilisation du guide d'onglet

Pour ajuster le guide d'onglet :

1. Desserrez le bouton de verrouillage du guide d'onglet **59**.
2. Déplacez le guide d'onglet sur l'angle désiré.
3. Resserrez le bouton de verrouillage du guide d'onglet.

Onglet mixte

Ceci est une combinaison de coupe transversale en biseau et d'onglet. Suivez les instructions pour les coupes transversales en biseau et pour les coupes d'onglet.

Système de dépoussiérage (Fig. X)

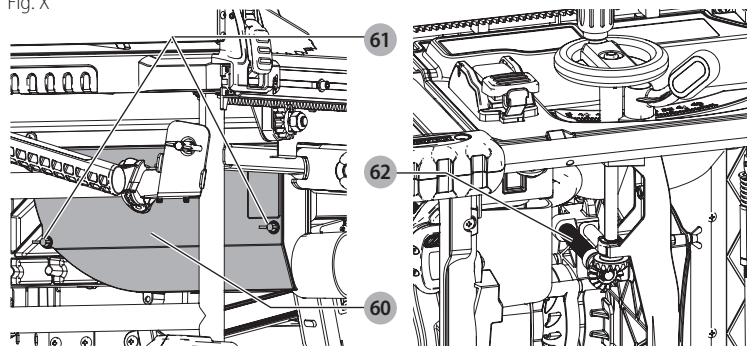
Cette scie de table est équipée d'un dispositif anti-poussières et d'une buse de dépoussiérage. Pour optimiser les résultats, connectez un aspirateur à la buse à l'arrière de la scie et sur le carter à l'aide d'un connecteur en Y. Le connecteur en Y est un accessoire vendu séparément. Reportez-vous à la section **Accessoires**.

AVIS : il est important de vérifier que la position des tuyaux n'interférera pas avec les opérations de coupe.

AVERTISSEMENT : pour prévenir tout démarrage accidentel, retirer le bloc-piles de la scie avant tout entretien du système de dépoussiérage.

1. Mettez la scie sur le côté pour accéder à la partie ouverte de la machine.
2. Ouvrez le portillon d'accès **60** mis à découvert en retirant 2 écrous à ailettes **61** puis retirez le portillon. Nettoyez l'excès de poussières, puis rattachiez le portillon en l'arrimant avec les écrous à ailettes.

Fig. X



Interrupteur de réinitialisation en cas de surcharge moteur ou perte de courant

La scie est équipée d'un interrupteur de réinitialisation en cas de perte d'alimentation (bloc-piles déchargé ou panne de secteur) qui réinitialisera automatiquement l'outil en position d'ARRÊT. Si la durée de charge du bloc-piles dure moins longtemps, c'est souvent à cause d'une lame émoussée. Changez régulièrement votre lame pour augmenter la durée de charge de votre bloc piles.

Lubrification (Fig. X)

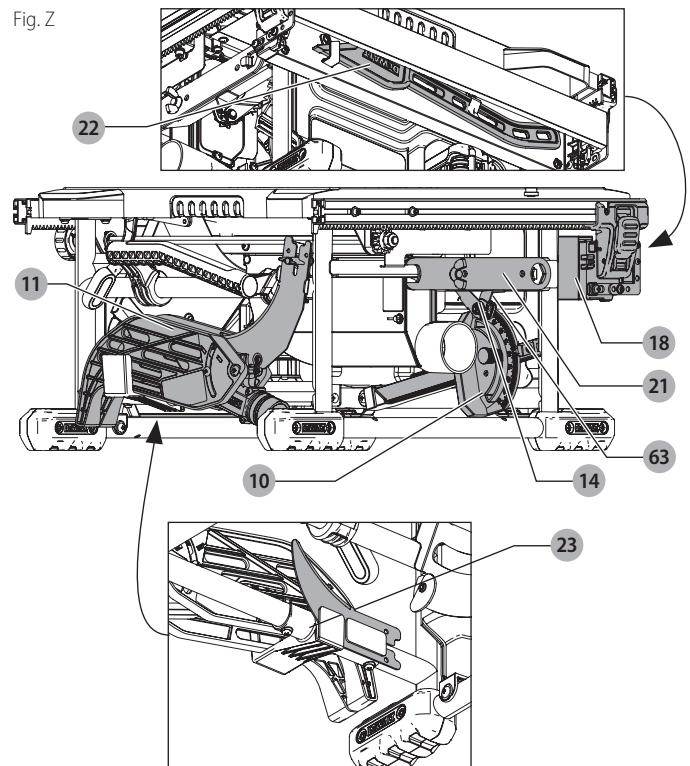
1. Les roulements du moteur sont lubrifiés de façon permanente en usine et aucune autre lubrification n'est nécessaire.
2. La vis de réglage de hauteur peut nécessiter une lubrification et un nettoyage réguliers. Si vous éprouvez des difficultés à élever ou abaisser la lame :
 - a. Retirez le bloc-piles de la scie.
 - b. Mettez la scie sur le côté pour accéder à la partie ouverte de la machine.
 - c. Nettoyez et lubrifiez le filetage de la vis de réglage de hauteur **62** sur l'envers de la scie avec une graisse à usage général. Reportez-vous à la figure X.

STOCKAGE (Fig. Z)

1. Rattachez le poussoir de fin de passe **22** au guide.
2. Appuyez sur la goupille du dispositif anti-rebonds **14** pour permettre à l'ensemble de sortir de la fente du couteau diviseur.
3. Installez le dispositif anti-rebonds dans son logement, comme illustré. Tout en appuyant sur la goupille, poussez le dispositif anti-rebonds dans le dispositif de stockage **63** et libérez la goupille pour le verrouiller en place.

4. Retirez le dispositif de carter de lame **11**. Reportez-vous à la section **Installation/retrait du dispositif de carter de lame et du couteau diviseur**. Insérez le dispositif de carter de lame dans son logement, comme illustré, puis tournez-le d'un quart de tour pour le verrouiller en place.
5. Insérez les extrémités fermées des clés pour lame **21** dans leur espace et verrouillez-les en place avec l'écrou à ailettes.
6. Insérez à fond la barre de guidage du guide d'onglet **10** dans sa pochette.
7. Le couteau diviseur de coupe intégrale **23** se place sur l'arrière de la patte de montage du guide.
8. Pour entreposer le guide **18**, poussez le support d'ouvrage en position de stockage. Retirez le guide des rails. Rattachez le guide à l'envers sur le côté gauche de la scie. Le verrou du guide pivotant verrouillera l'ensemble.

Fig. Z



Construction d'accessoires pour des méthodes d'utilisation alternatives

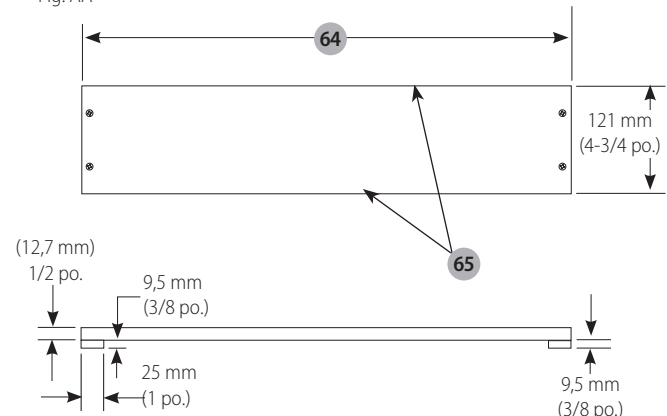
Guide longitudinal auxiliaire étroit (Fig. BB, CC)

Le guide longitudinal auxiliaire étroit doit être utilisé pour une coupe longitudinale de 51 mm (2 po) ou moins. Ce guide permet au dispositif de protection de rester sur la scie pour effectuer des coupes longitudinales étroites. Cela laissera un espace suffisant pour utiliser un bloc-poussoir (**66**, reportez-vous à la section **Bloc-poussoir**).

1. Suivez le schéma en Figure AA pour fabriquer un guide longitudinal auxiliaire étroit **69**.

REMARQUE : sa longueur **64** devrait être similaire à celle du dessus de la table de scie et ses côtés **65** devraient être parallèles.

Fig. AA



2. Une fois le guide longitudinal auxiliaire étroit construit, glissez-le le long de la surface de la table de scie et placez-le à ras du guide, comme illustré en Figure CC.
3. Insérez la pièce jusqu'à ce que le bord du matériau touche le bord avant de la table de scie.
4. Continuez d'alimenter le matériau à l'aide du bloc-poussoir **66** jusqu'à ce que la coupe soit terminée.

Bloc-poussoir (Fig. BB, CC)

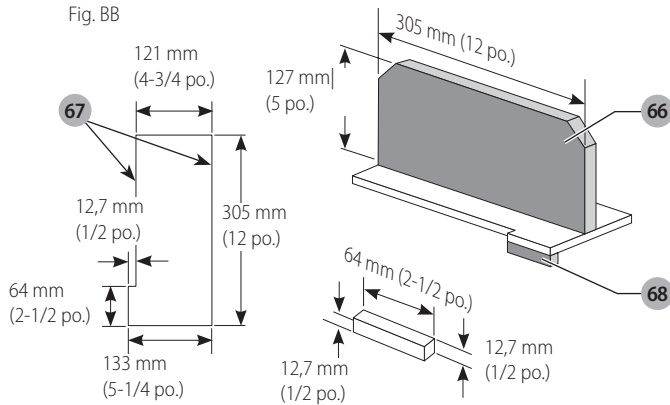
IMPORTANT : utilisez le bloc-poussoir **66** seulement avec le guide longitudinal auxiliaire étroit, se reporter à la section **Guide longitudinal auxiliaire étroit**. Le bloc-poussoir devrait être utilisé lorsque le matériau à machiner a atteint la surface de la table de scie.

1. Construisez un bloc-poussoir en suivant le schéma en Figure BB.

REMARQUE : les bords **67** doivent être parallèles.

IMPORTANT : la bordure **68**, Fig. BB) DOIT être d'équerre. Une lèvre inégale pourrait faire déraiper le bloc-poussoir ou repousser le matériau loin du guide.

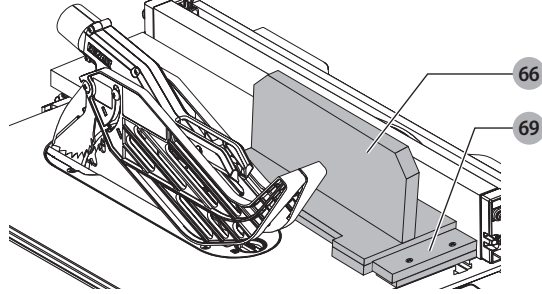
Fig. BB



2. Posez le bloc-poussoir (**66**, Fig. CC) derrière le matériau en vous assurant que la lèvre du bloc est à raz du guide longitudinal auxiliaire étroit **69**.
3. Une fois le bloc-poussoir en place, continuez à alimenter le matériau vers la scie jusqu'en fin de coupe en vous assurant que le bloc-poussoir reste constamment au raz du guide longitudinal auxiliaire étroit.

IMPORTANT : le guide longitudinal auxiliaire étroit et la bordure (**68**, Fig. BB) devraient être de la même épaisseur.

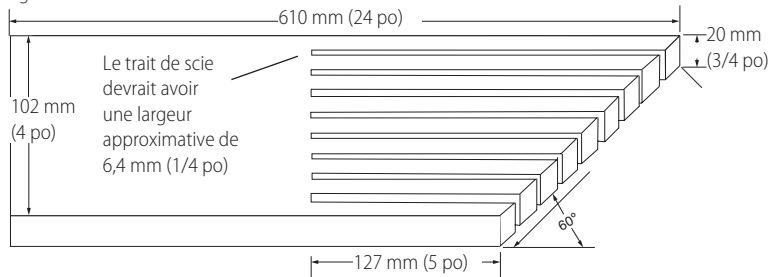
Fig. CC



Construction d'un peigne (Fig. DD, EE)

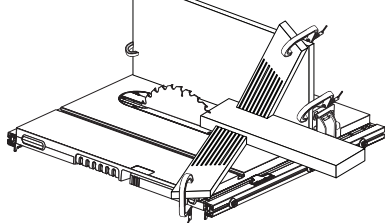
Les peignes sont utilisés pour maintenir la pièce en contact avec le guide et la table, et prévenir les rebonds. Les dimensions pour effectuer un peigne typique sont illustrées en Figure DD. Effectuez le peigne dans un morceau de bois droit, sans nœuds ou fentes. Fixez le peigne au guide et à la table pour que le bord principal du peigne supporte la pièce jusqu'à ce que la coupe soit terminée (Fig. EE). Un panneau plat de 203 mm (8 po) de haut peut être arrimé au guide longitudinal, et le peigne en retour peut être arrimé au panneau de 203 mm (8 po).

Fig. DD



AVERTISSEMENT : utiliser un peigne lors des opérations de coupe partielle pour lesquelles le dispositif de carter de lame, le dispositif anti-rebonds et le couteau diviseur, ne peuvent pas être utilisés. **Remplacer systématiquement le dispositif de carter de lame, le dispositif anti-rebonds et le couteau diviseur une fois la coupe partielle terminée.** S'assurer que le peigne appuie seulement sur la portion de la pièce devant la lame.

Fig. EE



MAINTENANCE

AVERTISSEMENT : pour réduire le risque de blessures graves, éteindre l'outil et retirer le bloc-piles avant d'effectuer tout réglage et d'enlever ou d'installer tout accessoire. Un démarrage accidentel peut provoquer des blessures.

Nettoyage

AVERTISSEMENT : enlever les saletés et la poussière hors des événements au moyen d'air comprimé propre et sec, au moins une fois par semaine. Pour minimiser le risque de blessure aux yeux, toujours porter une protection oculaire conforme à la norme ANSI Z87.1 lors du nettoyage.

AVERTISSEMENT : ne jamais utiliser de solvants ni d'autres produits chimiques puissants pour nettoyer les pièces non métalliques de l'outil. Ces produits chimiques peuvent affaiblir les matériaux de plastique utilisés dans ces pièces. Utiliser un chiffon humecté uniquement d'eau et de savon doux. Ne jamais laisser de liquide pénétrer dans l'outil et n'immerger aucune partie de l'outil dans un liquide.

Accessoires

AVERTISSEMENT : puisque les accessoires autres que ceux offerts par DeWALT n'ont pas été testés avec ce produit, leur utilisation pourrait s'avérer dangereuse. Pour réduire le risque de blessures, utiliser exclusivement les accessoires DeWALT recommandés avec le présent produit.

Les accessoires recommandés pour cet outil sont vendus séparément au centre de service de votre région. Pour obtenir de l'aide concernant l'achat d'un accessoire, communiquer avec DeWALT Industrial Tool Co., 701 East Joppa Road, Towson, MD 21286 aux États-Unis; composer le 1 800 433-9258 (1 800 4-DeWALT) ou visiter notre site Web : www.dewalt.com.

- Supports compatibles (DWE74911)
- Échelle de coupe métrique (N458905)
- Connecteur en Y d'extraction des poussières (veuillez contacter votre distributeur local)

Réparations

Le chargeur et le bloc-piles ne sont pas réparables.

AVERTISSEMENT : pour assurer la SÉCURITÉ et la FIABILITÉ du produit, les réparations, l'entretien et les réglages doivent être réalisés (cela comprend l'inspection et le remplacement du balai) par un centre de réparation en usine DeWALT ou un centre de réparation agréé DeWALT. Toujours utiliser des pièces de rechange identiques.

Registre en ligne

Merci pour votre achat. Enregistrez dès maintenant votre produit :

- **RÉPARATIONS SOUS GARANTIE :** cette carte remplie vous permettra de vous prévaloir du service de réparations sous garantie de façon plus efficace dans le cas d'un problème avec le produit.
- **CONFIRMATION DE PROPRIÉTÉ :** en cas de perte provoquée par un incendie, une inondation ou un vol, cette preuve de propriété vous servira de preuve auprès de votre compagnie d'assurances.
- **SÉCURITÉ :** l'enregistrement de votre produit nous permettra de communiquer avec vous dans l'éventualité peu probable de l'envoi d'un avis de sécurité régi par la loi fédérale américaine de la protection des consommateurs.

Registre en ligne à www.dewalt.com/register.

Garantie limitée de trois ans

DeWALT réparera, sans frais, tout produit défectueux causé par un défaut de matériel ou de fabrication pour une période de trois ans à compter de la date d'achat. La présente garantie ne couvre pas les pièces dont la défectuosité a été causée par une usure normale ou l'usage abusif de l'outil. Pour obtenir de plus amples renseignements sur les pièces ou les réparations couvertes par la présente garantie, visiter le site www.dewalt.com ou composer le 1 800 433-9258 (1 800 4-DeWALT). Cette garantie ne s'applique pas aux accessoires et ne vise pas les dommages causés par des réparations effectuées par un tiers. Cette garantie confère des droits légaux particuliers à l'acheteur, mais celui-ci pourrait aussi bénéficier d'autres droits variant d'un état ou d'une province à l'autre.

En plus de la présente garantie, les outils DeWALT sont couverts par notre :

CONTRAT D'ENTRETIEN GRATUIT D'UN AN

DeWALT entretiendra l'outil et remplacera les pièces usées au cours d'une utilisation normale et ce, gratuitement, pendant une période d'un an à compter de la date d'achat.

CONTRAT D'ENTRETIEN GRATUIT DE DEUX ANS SUR LES BLOC-PILES DeWALT

DC9071, DC9091, DC9096, DC9280, DC9360, DC9180,
DCB120, DCB127, DCB201, DCB203, DCB203BT, DCB207

CONTRAT D'ENTRETIEN GRATUIT DE TROIS ANS SUR LES BLOC-PILES DeWALT

DCB200, DCB204, DCB204BT, DCB205, DCB606

REMARQUE : La garantie de ce produit sera annulée si le bloc-piles a été altéré de quelque façon que ce soit. DeWALT ne peut être tenu responsable de tout dommage corporel causé par l'altération du produit et pourra poursuivre toute fraude en matière de garantie dans toute l'étendue permise par la loi.

GARANTIE DE REMBOURSEMENT DE 90 JOURS

Si l'acheteur n'est pas entièrement satisfait, pour quelque raison que ce soit, du rendement de l'outil électrique, du laser ou de la cloueuse DeWALT, celui-ci peut le retourner, accompagné d'un reçu, dans les 90 jours à compter de la date d'achat pour obtenir un remboursement intégral, sans aucun problème.

AMÉRIQUE LATINE : cette garantie ne s'applique aux produits vendus en Amérique latine.

Pour ceux-ci, veuillez consulter les informations relatives à la garantie spécifique présente dans l'emballage, appeler l'entreprise locale ou consulter le site Web pour les informations relatives à cette garantie.

REPLACEMENT GRATUIT DES ÉTIQUETTES D'AVERTISSEMENT : si les étiquettes d'avertissement deviennent illisibles ou sont manquantes, composer le 1 800 433-9258 (1 800 4-DeWALT) pour en obtenir le remplacement gratuit.

DCS7485

CORDLESS TABLE SAW

⚠ DANGER NEVER PLACE YOUR HANDS IN THE VICINITY OR IN LINE WITH THE SAW BLADE.
⚠ AVVERTISSEMENT TO REDUCE THE RISK OF INJURY, USER MUST READ INSTRUCTION MANUAL BEFORE OPERATING SAW. WEAR EYE PROTECTION, ALWAYS USE PROPERLY FUNCTIONING SAW-BLADE GUARD, RIVING KNIFE AND ANTI-KICKBACK DEVICE FOR EVERY OPERATION FOR WHICH IT CAN BE USED, INCLUDING ALL THROUGH SAWING. USE A PUSH-STICK OR PUSH-BLOCK WHEN REQUIRED. DO NOT PERFORM ANY OPERATION FREEHAND. SUPPORT WORK WITH TABLE, AND FENCE OR MITER GAGE - NEVER BOTH TOGETHER. DO NOT PLUNGE CUT. PAY PARTICULAR ATTENTION TO INSTRUCTIONS ON REDUCING RISK OF KICKBACK. NEVER REACH AROUND OR OVER SAW BLADE. TURN OFF TOOL AND WAIT FOR SAW BLADE TO STOP BEFORE MOVING WORKPIECE OR CHANGING SETTINGS. NEVER STAND DIRECTLY IN LINE WITH THE SAW BLADE. ALWAYS POSITION YOUR BODY ON THE SAME SIDE OF THE SAW BLADE AS THE FENCE. ALWAYS USE PROPER HEARING AND RESPIRATORY PROTECTION. USE WITH DEWALT ION BATTERIES. SER.
 DEWALT INDUSTRIAL TOOL CO., TOWSON, MD 21286 U.S.A.
 FOR SERVICE INFORMATION, CALL 1-800-4-DEWALT www.DEWALT.com

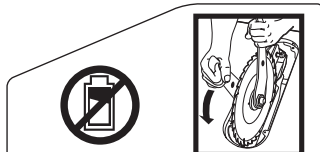
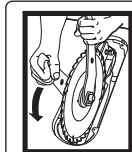


⚠ PELIGRO NUNCA PONGA SUS MANOS EN LA VICINIDAD O CONFORME A LA LÁMINA DE SIERRA.

⚠ ADVERTENCIA PARA SU PROPIA SEGURIDAD, LEA DETENIDAMENTE EL MANUAL DE INSTRUCCIONES ANTES DE OPERAR LA SIERRA. USE PROTECCIÓN OCULAR. USE SIEMPRE EL PROTECTOR DE LA HOJA DE SIERRA, LA NAVAJA SEPARADORA Y EL DISPOSITIVO ANTI-REBOTE EN BUEN ESTADO PARA CADA OPERACIÓN PARA LA QUE PUEDAN UTILIZARSE, INCLUIDO EL CORTE CON TRASPASO. USE UN EMPUJADOR O BLOQUE DE PRENSIÓN CUANDO SEA NECESARIO. NO REALICE NINGUNA OPERACIÓN A MANO ALZADA, APOYE LA PIEZA DE TRABAJO CON UNA MESA Y GUÍA O INDICADOR DE ÁNGULO PARA CORTES INGLETADOS - NUNCA AMBOS JUNTOS. NO REALICE CORTES EN PICADO. PRESTE ESPECIAL ATENCIÓN A LAS INSTRUCCIONES ACERCA DE CÓMO REDUCIR EL RIESGO DE REBOTE. NO EXTIENDA NUNCA LA MANO ALREDEDOR O POR ENCIMA DE LA HOJA DE LA SIERRA. APAGUE LA HERRAMIENTA Y ESPERE A QUE LA HOJA DE LA SIERRA SE DETENGA ANTES DE MOVER LA PIEZA DE TRABAJO O DE CAMBIAR LA CONFIGURACIÓN. NO ESTÉ NUNCA PARADO EN LÍNEA RECTA CON RESPECTO A LA HOJA DE LA SIERRA. MANTENGA SIEMPRE SU CUERPO EN EL MISMO LADO DE LA HOJA DE LA SIERRA EN EL QUE SE UBICQUE EL PROTECTOR. USE SIEMPRE PROTECCIÓN AUDITIVA Y RESPIRATORIA ADECUADA. USAR CON BATERÍA DEWALT DE 60 V.

⚠ DANGER NE PLACEZ JAMAIS VOS MAINS À PROXIMITÉ OU EN CONFORMITÉ AVEC LA LAME DE SCIÈS.

⚠ AVERTISSEMENT POUR RÉDUIRE TOUT RISQUE DE DOMMAGES CORPORELS, LIRE LE GUIDE D'UTILISATION AVANT DE SE SERVIR DE LA SCIÈS. PORTER UNE PROTECTION OCULAIRE, UTILISER SYSTÉMATIQUEMENT DES DISPOSITIFS EN BON ÉTAT DE MARCHÉ - CARTER DE LAME, COUPEAU DIVISEUR ET DISPOSITIFS ANTI-REBONDS. POUR CHAQUE OPÉRATION OÙ ILS POURRONT ÊTRE UTILISÉS, Y COMPRIS TOUTES LES COUPES INTÉGRALES, UTILISER UN POUSSOIR, BLOC OU BÂTONNET. LE CAS ÉCHÉANT, NE JAMAIS UTILISER LA SCIÈS À MAIN LÈVÉE. SOUTENIR LE TRAVAIL AVEC UNE TABLE ET UN GUIDE D'ONGLET. JAMAIS LES DEUX EN MÊME TEMPS. NE FAIRE AUCUNE COUPE EN PLONGÉE. FAIRE PARTICULIÈREMENT ATTENTION AUX INSTRUCTIONS CONCERNANT LA RÉDUCTION DES RISQUES DE REBONDS. NE JAMAIS PASSER LES MAINS AUTOUR OU SUR LA LAME. ARRÊTER L'OUTIL ET ATTENDRE L'ARRÊT COMPLET DE LA LAME DE SCIÈS AVANT DE DÉPLACER LA PIÈCE, OU CHANGER LES RÉGLAGES. NE JAMAIS SE TENIR DIRECTEMENT DANS LE SILLAGE DE LA LAME. SE POSITIONNER SYSTÉMATIQUEMENT DU MÊME CÔTÉ QUE LE GUIDE DE LAME. PORTER SYSTÉMATIQUEMENT UN SYSTÈME DE PROTECTION AUDITIVE ET DES VOIES RESPIRATOIRES. À UTILISER AVEC DES BLOCS-PILES DEWALT DE 60 V.



Definiciones: Símbolos y palabras de alerta de seguridad

Este manual de instrucciones utiliza los siguientes símbolos y palabras de alerta de seguridad para alertarle de situaciones peligrosas y del riesgo de lesiones corporales o daños materiales.

⚠ PELIGRO: Indica una situación de peligro inminente que, si no se evita, provocará **la muerte o lesiones graves**.

⚠ ADVERTENCIA: Indica una situación de peligro potencial que, si no se evita, **podría provocar la muerte o lesiones graves**.

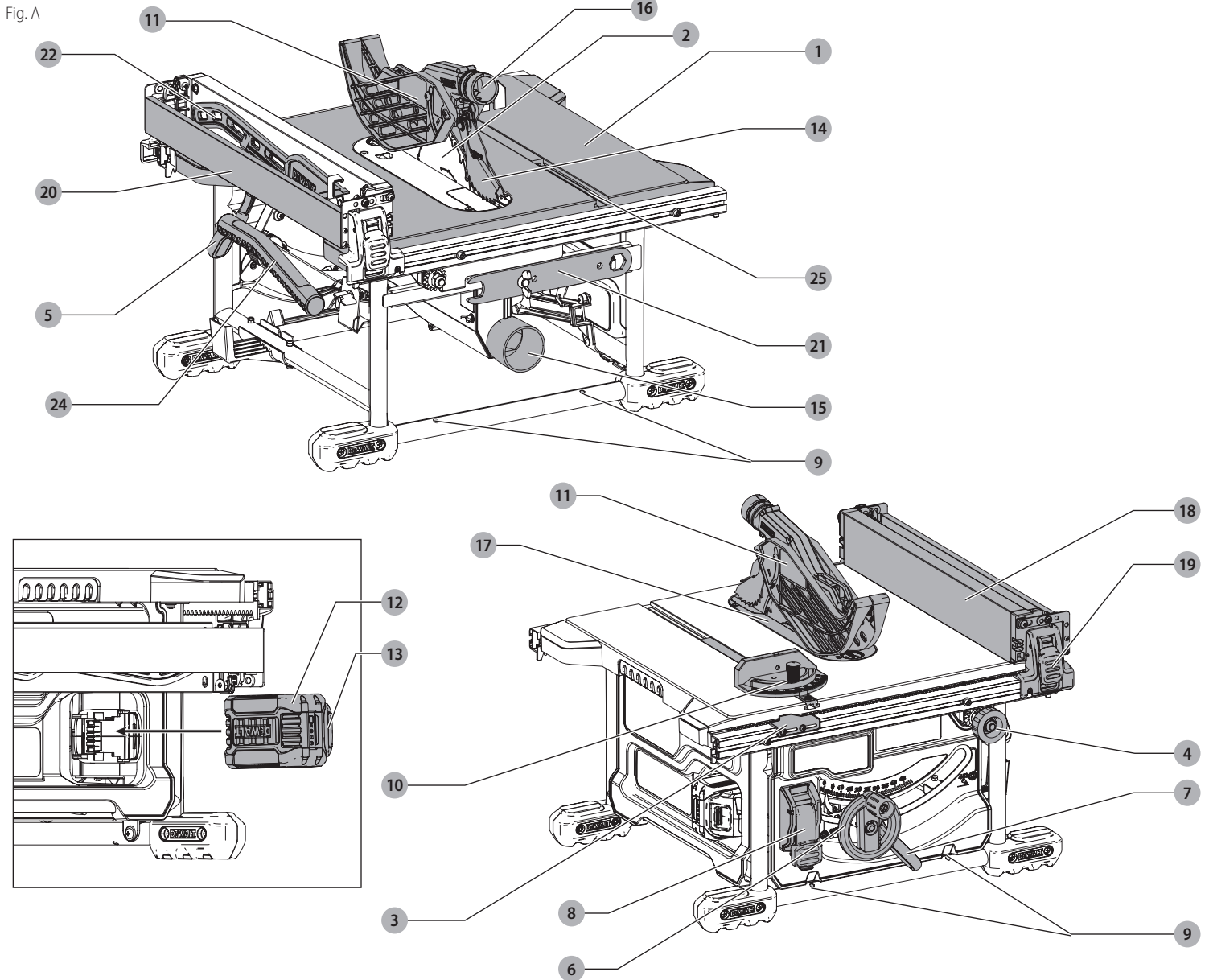
⚠ ATENCIÓN: Indica una situación de peligro potencial que, si no se evita, **posiblemente provocaría lesiones leves o moderadas**.

⚠ (Utilizado sin palabras) indica un mensaje de seguridad relacionado.

AVISO: Se refiere a una práctica **no relacionada a lesiones corporales** que de no evitarse **puede resultar en daños a la propiedad**.

⚠ ¡ADVERTENCIA! Lea todas las advertencias de seguridad e instrucciones. El incumplimiento de las advertencias e instrucciones puede provocar descargas eléctricas, incendios o lesiones graves.

🔄 **ADVERTENCIA:** Para reducir el riesgo de lesiones, lea el manual de instrucciones.




- 1 Table
- 2 Blade
- 3 Rip scale indicator
- 4 Fine adjust knob
- 5 Rail lock lever
- 6 Blade height adjustment wheel
- 7 Bevel lock lever
- 8 ON/OFF assembly
- 9 Mounting holes
- 10 Miter gauge
- 11 Blade guard assembly
- 12 Battery
- 13 Battery release button
- 14 Anti-kickback assembly
- 15 Dust collection port
- 16 Guard dust collection port
- 17 Throat plate
- 18 Rip fence
- 19 Rip fence latch
- 20 Narrow ripping fence/support extension
- 21 Blade wrenches (stored position)
- 22 Push stick (stored position)
- 23 Riving knife (non thru sawing) (Fig. G)
- 24 Carry handle
- 25 Miter gauge track

CONSERVE TODAS LAS ADVERTENCIAS E INSTRUCCIONES PARA FUTURAS CONSULTAS

SI TIENE PREGUNTAS O COMENTARIOS SOBRE ESTA O CUALQUIER OTRA HERRAMIENTA DEWALT, LLÁMENOS GRATUITAMENTE AL: 1-800-4-DEWALT (1-800-433-9258).

 **ADVERTENCIA:** Para reducir el riesgo de lesiones, lea el manual de instrucciones.

REGLAS DE SEGURIDAD GENERALES

 **ADVERTENCIA:** Lea todas las instrucciones antes de utilizar el producto. El incumplimiento de las instrucciones que se indican a continuación podría provocar una descarga eléctrica, un incendio y/o lesiones graves.

 **ADVERTENCIA: SIGA TODOS LOS CÓDIGOS DE INSTALACIÓN ELÉCTRICA** y realice las conexiones eléctricas recomendadas para evitar producir descargas eléctricas o electrocución.

Instrucciones de seguridad importantes

- **PARA REDUCIR EL RIESGO DE REBOTE Y OTRAS LESIONES,** use todos los componentes del sistema de protección (unidad del protector de la hoja, cuchillo separador y unidad anti-rebote) para todas las operaciones para las cuales puedan utilizarse, incluyendo el corte completo con traspaso.
- **QUITE LAS LLAVES DE AJUSTE.** Hágase el hábito de comprobar que la herramienta no tenga ninguna llave de ajuste puesta antes de encenderla. Herramientas, piezas de desecho y otros residuos pueden salir disparados a alta velocidad, y provocar lesiones.
- **MANTENGA LIMPIA EL ÁREA DE TRABAJO.** Las áreas y bancos de trabajo desordenados aumentan el riesgo de lesiones.
- **NO UTILICE LA MÁQUINA EN UN AMBIENTE PELIGROSO.** El uso de herramientas eléctricas en lugares húmedos o mojados o bajo la lluvia, puede provocar una descarga eléctrica o electrocución. Mantenga su área de trabajo bien iluminada para evitar interrumpir el paso o colocar los brazos, manos y dedos en situación de peligro.
- **MANTENGA ALEJADOS A LOS NIÑOS.** Toda visita debería mantenerse a una distancia segura del área de trabajo. Su taller es un ambiente potencialmente peligroso.
- **HAGA QUE SU TALLER SEA A PRUEBA DE NIÑOS,** para ello utilice candados o interruptores maestros o quite las llaves de arranque y la batería. El arranque no autorizado de una máquina por parte de un niño o visitante, puede provocar lesiones
- **NO FUERCE LA HERRAMIENTA** Funcionará mejor y con mayor seguridad si se utiliza de acuerdo con sus características técnicas.
- **USE LA HERRAMIENTA ADECUADA.** No fuerce la herramienta o el accesorio para realizar un trabajo para el que no están diseñados. El uso de la herramienta o accesorio incorrectos puede ocasionar lesiones corporales.
- **NO SE SOBREEXTIENDA.** Manténgase siempre bien apoyado y equilibrado. La pérdida de equilibrio puede provocar lesiones corporales. No intente recuperar materiales cerca de la hoja en el banco de aserrar mientras la hoja esté girando.
- **CUIDE LAS HERRAMIENTAS.** Mantenga las hojas afiladas y limpias para obtener el mejor y más seguro desempeño. Siga las instrucciones para lubricar y cambiar los accesorios. Las hojas y máquinas que no han sido bien mantenidas pueden dañar la hoja o máquina y/o provocar lesiones.
- **USE ROPA ADECUADA.** No lleve ropa suelta, guantes, corbatas, anillos, pulseras u otras joyas que podrían engancharse en las piezas móviles. Se recomienda el uso de calzado antideslizante. Cúbrase y recójase el pelo si lo tiene largo.
- **USE SIEMPRE LENTES DE SEGURIDAD.** Utilice también careta o mascarilla si en la operación de corte se produce polvo. Los anteojos de uso diario solo tienen lentes resistentes a golpes, NO son lentes de seguridad.
- **SUJETE BIEN LA PIEZA DE TRABAJO.** Utilice abrazaderas para sujetar la pieza de trabajo cuando sea práctico (por ejemplo cuando use una pieza o placa de garganta sin ningún espacio libre). Es más seguro que sujetarla con la mano y le permite utilizar ambas manos para manejar la herramienta.
- **APAGUE LA MÁQUINA Y EXTRAIGA LA BATERÍA** antes de instalar o sacar accesorios, antes de fijar o cambiar los ajustes, o cuando esté haciendo reparaciones o cambiando de lugar.
- No instale ni saque la batería con las manos mojadas.
- **ASEGÚRESE DE QUE EL INTERRUPTOR ESTÉ EN POSICIÓN DE APAGADO ANTES DE INSERTAR LA BATERÍA.** El insertar la batería en las herramientas eléctricas puede provocar accidentes.
- **UTILICE LOS ACCESORIOS RECOMENDADOS.** Utilice solo los accesorios recomendados por el fabricante para su modelo. Algunos accesorios pueden ser apropiados para una herramienta pero pueden crear un riesgo de lesión cuando se utilizan con otra. Consulte el manual de instrucciones para conocer los accesorios recomendados. El uso de accesorios incorrectos puede ocasionar riesgo de lesiones corporales.
- Los accesorios magnéticos no funcionan con esta sierra.
- **JAMÁS SE PARE O SE SIENTE SOBRE LA HERRAMIENTA NI LA USE COMO BANQUITO.** Podría sufrir graves lesiones si la herramienta se cae a un lado o si se entra en contacto no intencionado con la herramienta de corte.
- **COMPRUEBE QUE NO HAYA PIEZAS DAÑADAS.** Antes de utilizar esta herramienta, revise cuidadosamente los protectores o piezas dañadas para determinar si la herramienta podrá funcionar debidamente y realizar la función para la cual fue diseñada – revise las piezas móviles para confirmar su alineación, que no estén trabadas, partidas, que estén bien instaladas

y cualquier otra condición que pueda afectar su operación. Cualquier protector o pieza dañada debe repararse debidamente o cambiarse. No use la herramienta si el conmutador no puede encenderla y apagarla. Las piezas dañadas pueden provocar daños a la máquina y/o lesiones corporales.

- **DIRECCIÓN DE AVANCE.** Empuje la pieza de trabajo a la hoja o disco de corte solo en la dirección contraria a la rotación de la hoja o disco de corte. No se pueden hacer cortes cóncavos ni a mano alzada.
- Compruebe que la distancia de salida detrás de la sierra sea adecuada para asegurarse de que los materiales puedan pasar sin obstruirse a través del corte. Las mesas de apoyo de las piezas de trabajo deben colocarse en lugares adecuados para apoyar totalmente el material.
- **JAMÁS DEJE SIN SUPERVISIÓN UNA HERRAMIENTA EN FUNCIONAMIENTO. APAGUE LA HERRAMIENTA.** No deje la herramienta hasta que no se haya detenido completamente. Podrían producirse lesiones graves.
- **NO DEJE NUNCA MATERIAL EN LA PARTE SUPERIOR DEL BANCO MIENTRAS LA SIERRA ESTÉ EN FUNCIONAMIENTO.**
- **NO OPERE HERRAMIENTAS ELÉCTRICAS CERCA DE LÍQUIDOS INFLAMABLES O EN ATMÓSFERAS GASEOSAS O EXPLOSIVAS.** Los motores y conmutadores de estas herramientas pueden producir chispas y encender vapores.
- **MANTÉNGASE ALERTA, FÍJESE EN LO QUE ESTÁ HACIENDO Y UTILICE SU SENTIDO COMÚN. NO UTILICE LA MÁQUINA SI ESTÁ CANSADO O BAJO LA INFLUENCIA DE DROGAS, ALCOHOL O MEDICAMENTOS.** Mientras se utilizan herramientas eléctricas, basta un instante de distracción para sufrir lesiones graves.
- **NO PERMITA QUE LA FAMILIARIDAD (que haya adquirido con el uso frecuente de esta sierra) SUSTITUYA A LAS REGLAS DE SEGURIDAD.** Recuerde siempre que una fracción de segundo de descuido es suficiente para ocasionar una herida grave. Tenga especial cuidado y manténgase alerta cuando haga cortes repetitivos. Apague la sierra frecuentemente para limpiar el serrín y comprobar los ajustes para reducir la monotonía.

Reglas de seguridad adicionales para sierras de banco

- **EVITE POSICIONES INCÓMODAS,** en las que un resbalón repentino podría provocar que una mano caiga en la hoja de la sierra.
- No intente recuperar materiales cerca de la hoja en el banco de aserrar mientras la hoja esté girando.
- **NUNCA PONGA LAS MANOS DETRÁS O ALREDEDOR DEL DISCO DE CORTE,** para sostener la pieza de trabajo.
- **MANTENGA SUS BRAZOS, MANOS Y DEDOS ALEJADOS** de la hoja para prevenir lesiones graves.
- **USE UN EMPUJADOR QUE SEA APROPIADO PARA EL TRABAJO, PARA EMPUJAR LAS PIEZAS DE TRABAJO A TRAVÉS DE LA SIERRA.** Un empujador es una vara de madera o plástico, con frecuencia hecha en casa, que debe usarse siempre que el tamaño o la forma de la pieza de trabajo hagan que tenga que colocar las manos a 152 mm (6") de la hoja.
- **UTILICE SUJECCIONES, GUÍAS, SOPORTES O REJILLAS PARA AYUDAR A GUIAR Y CONTROLAR LA PIEZA DE TRABAJO.** Los accesorios recomendados para su herramienta están disponibles por un costo adicional en su distribuidor local o en un centro de servicio autorizado. Las instrucciones para fabricar un empujador, una guía auxiliar estrecha para cortes longitudinales, un bloque de empuje y rejillas, están incluidas en este manual.
- **NO REALICE NINGÚN CORTE LONGITUDINAL, CORTE TRANSVERSAL O CUALQUIER OTRA OPERACIÓN A MANO ALZADA.**
- **NUNCA** pase la mano alrededor de o sobre la hoja de la sierra mientras la hoja esté girando.
- **ESTABILIDAD.** Asegúrese de que la sierra de banco esté firmemente montada a una superficie estable y que no se mueva, antes de usarla.
- **LA SIERRA DE BANCO SOLO DEBERÍA INSTALARSE EN UNA SUPERFICIE NIVELADA Y ESTABLE.** El área de trabajo debe estar libre de obstrucciones y peligros de tropiezo. No deben apoyarse materiales o herramientas contra la sierra.
- **JAMÁS CORTE METALES, PLACAS DE FIBROCEMENTO O MAMPOSTERÍA.** Ciertos materiales hechos a mano, tienen instrucciones especiales para ser cortados en sierras de banco. Siga las recomendaciones del fabricante en todo momento. Puede dañarse la sierra y producir lesiones corporales.
- No instale una hoja de mampostería de diamante ni intente usar una sierra de banco como sierra mojada.
- **LA PLACA DE GARGANTA ADECUADA DEBE ESTAR COLOCADA EN SU SITIO EN TODO MOMENTO** para reducir el riesgo de que una pieza de trabajo salga disparada y cause una lesión.
- **USE LA HOJA DE SIERRA CORRECTA PARA LA OPERACIÓN PARA LA CUAL FUE DISEÑADA.** La hoja debe rotar hacia la parte frontal de la sierra. Siempre apriete firmemente la tuerca del eje de la hoja. Revise que la hoja no tenga agrietamientos o ni le falten dientes antes de utilizarla. No utilice una hoja roma o dañada.
- **JAMÁS INTENTE LIBERAR UNA HOJA DE SIERRA ATASCADA, SIN ANTES APAGAR LA MÁQUINA Y SACAR LA BATERÍA.** Si una pieza de trabajo o residuo de corte queda atrapado en el interior de la unidad del protector de la hoja, apague la sierra y espere a que la hoja se detenga antes de levantar la unidad del protector de la hoja y sacar la pieza.
- **JAMÁS ARRANQUE LA MÁQUINA** con la pieza de trabajo en contra de la hoja para reducir el riesgo de una pieza de trabajo lanzada y lesiones corporales.
- **NO TENGA NINGUNA PARTE DEL CUERPO ALINEADA CON LA HOJA.** Pueden producirse lesiones corporales. Sitúese a uno de los lados de la hoja.

- **JAMÁS REALICE LA DIAGRAMACIÓN, ENSAMBLADO O AJUSTE DEL TRABAJO** sobre el banco/área de trabajo, cuando la máquina esté en funcionamiento. Un resbalón repentino puede provocar que una mano se mueva hacia la hoja. Podrían producirse lesiones graves.
- **JAMÁS REALICE NINGÚN AJUSTE MIENTRAS LA SIERRA ESTÉ EN FUNCIONAMIENTO** como reposicionar o quitar la guía, ajustar el bloqueo de bisel o ajustar la altura de la hoja.
- **ANTES DE DEJAR LA MÁQUINA, LIMPIE EL BANCO/ÁREA DE TRABAJO.** Coloque el conmutador en la posición (OFF) y retire la batería para prevenir su uso no autorizado.
- Bloquee SIEMPRE la guía y el ajuste de bisel antes de cortar.
- **NO deje una tabla larga (u otra pieza de trabajo) sin soporte, de tal forma que el resorte de la tabla provoque que cambie su posición sobre el banco, resultando así en una pérdida de control y posibles lesiones.** Suministre un soporte apropiado para la pieza de trabajo, en base a su tamaño y al tipo de operación a ser realizado. Sujete firmemente la pieza de trabajo contra la guía y hacia abajo en contra de la superficie de la banco.
- Si esta sierra hace un ruido desconocido o si vibra excesivamente, deje de utilizarla inmediatamente, apáguela y saque la batería hasta que se haya identificado y corregido el problema. Contacte con un centro de servicio de fábrica de DeWalt, un centro de servicio autorizado de DeWALT u otro personal de servicio calificado si no puede identificarse el problema.
- **NO OPERE ESTA MÁQUINA** hasta que esté totalmente ensamblada e instalada según las instrucciones. Una máquina que ha sido ensamblada de manera incorrecta puede ocasionar lesiones graves.
- **JAMÁS** intente cortar una pila de piezas sueltas de material que podrían causar pérdida de control o rebote. Sujete todos los materiales firmemente.
- **NO GUARDE ESTA HERRAMIENTA CON LA BATERÍA INSTALADA.** Piense en todas las posibles situaciones para asegurarse de que la sierra no se encienda nunca sin querer.
- **NO TRANSPORTE ESTA HERRAMIENTA CON LA BATERÍA INSTALADA.**
- Puede obtenerse **INFORMACIÓN ADICIONAL** acerca del funcionamiento seguro y correcto de las herramientas eléctricas (por ejemplo, un video sobre seguridad) a través del Power Tool Institute, 1300 Sumner Avenue, Cleveland, OH 44115-2851 (www.powertoolinstitute.com). También existe información disponible a través del Consejo de Seguridad Nacional, 1221 Spring Laek Drive, IL 60143-3201. Por favor consulte los Reglamentos OSHA 1910.213 del Departamento de Trabajo de EE.UU.

Términos: los siguientes términos serán usados a lo largo del manual y usted debe estar familiarizado con ellos.

- **Corte completo con traspaso** se refiere a cualquier corte completo que traspase la pieza de trabajo.
- **Corte sin traspaso** se refiere a cualquier corte que no se realiza completamente y no traspasa la pieza de trabajo.
- **Empujador** se refiere a una vara de madera o plástico, usualmente de fabricación casera, utilizada para empujar una pieza de trabajo pequeña a través de la sierra y mantener las manos del operador fuera del alcance de la hoja.
- **Rebote** ocurre cuando la hoja de la sierra traba el corte y violentamente lanza la pieza de trabajo hacia el operador. Ocurrirá un rebote más serio y peligroso al utilizar la sierra sin el protector o el cuchillo separador. El material que entre en contacto con el borde exterior de la hoja será lanzado de forma violenta e imprevista hacia el operador.
- **A mano alzada** se refiere al corte sin usar un calibrador de inglete o una guía o cualquier otro medio de orientación o sujeción de la pieza de trabajo distinta a las manos del operador.

⚠️ ADVERTENCIA: Jamás realice un corte a mano alzada con esta sierra.

- **Corte de inmersión** se refiere a cortar cuando la pieza de trabajo se baja hasta la hoja y el usuario la controla con sus manos o el usuario apoya la pieza de trabajo con las manos en la superficie del banco y luego se levanta la hoja a través de la pieza de trabajo.

⚠️ ADVERTENCIA: No realice nunca cortes de inmersión con esta sierra.

- **Reaserrar** - invertir el material para hacer un corte que la sierra no es capaz de realizar en una pasada.

⚠️ ADVERTENCIA: No realice cortes de reaserrado con esta sierra.

- **Salida** - la distancia detrás de la sierra necesaria para pasar el material totalmente a través del corte.

- **Corte de ranura** - Utilizar un disco de corte para ranurar u otro tipo de disco de corte para perfilar para cortar ranuras o ranuras decorativas.

⚠️ ADVERTENCIA: No instale discos de corte para ranurar o discos de corte para perfilar en esta sierra.

Unidad del protector de hoja de la sierra, unidad anti-rebote y cuchillo separador

Esta sierra de banco está equipada con una unidad de protector de hoja con placa abridora y unidad anti-rebote que cubre la hoja y reduce la posibilidad de contacto accidental con la misma. Se proporciona un cuchillo separador para utilizarse al realizar cortes sin traspaso. El cuchillo separador y la placa abridora son placas que están ubicadas detrás de la hoja de la sierra y se amoldan al corte hecho por la hoja de la sierra. Dos seguros anti-rebote están ubicados en los lados de la placa abridora que permiten que la madera pase a través de la hoja en la dirección del corte pero reducen la posibilidad de que el material salga disparado hacia atrás hacia el operador. Ayudan a prevenir los rebotes ocasionados por el trabado o enganche del material cortado en la parte de atrás de la

hoja de la sierra. **La unidad del protector de la hoja y la unidad anti-rebote pueden usarse solamente cuando se realizan cortes completos con traspaso de la madera. Al hacer rebajos, ranuras, espaldones, juntas de solapa y otros cortes sin traspaso, la unidad del protector de la hoja y la unidad anti-rebote deben retirarse y debe instalarse el cuchillo separador.**

Use todos los componentes del sistema de protección (unidad del protector de hoja, cuchillo separador y unidad anti-rebote) para cada operación para la que puedan utilizarse, incluidos todos los cortes completos con traspaso. Si usted elige no usar alguno de estos componentes para una aplicación en particular, debe tomar precauciones adicionales en relación al control de la pieza de trabajo, el uso de empujadores, la posición de sus manos en relación a la hoja, el uso de lentes de seguridad, los medios para evitar el rebote y todas las demás advertencias contenidas en este manual y sobre la sierra misma. **Cambie los sistemas de protección tan pronto reinicie las operaciones de corte completo con traspaso.** Mantenga la unidad del protector en buenas condiciones de funcionamiento.

Fabricar un empujador (Contraportada interior)

- Para utilizar esta sierra de banco de forma segura, debe utilizar un empujador cuando el tamaño o la forma de la pieza de trabajo puedan hacer que sus manos estén a 152 mm (6") de la hoja de la sierra o de otro disco de corte. Se incluye un empujador con esta sierra.
- Puede necesitar empujadores adicionales para materiales de diferente espesor. En la parte de atrás de este manual de instrucciones se incluyen planes para hacer empujadores. Los empujadores deben hacerse con madera sólida, contrachapado u otro material resistente pero blando. Se recomienda una longitud de 400 mm (15,7 pulg) con una muesca que se ajuste al borde de la pieza de trabajo para prevenir que resbale. Es una buena idea tener empujadores de la misma longitud [400 mm (15,7 pulg)] con muescas de diferentes tamaños para piezas de trabajo de diferentes espesores.

Rebotes

Los rebotes pueden provocar lesiones graves. Un rebote ocurre cuando una parte de la pieza de trabajo se traba entre la hoja de sierra y la guía u otro objeto fijo y es lanzada desde el banco hacia el operador. Los rebotes se pueden evitar prestando atención a las siguientes condiciones.

Cómo evitarlos y protegerse de posibles lesiones

- Utilice el protector de la hoja con la placa abridora o use el cuchillo separador siempre que sea posible.**
- Verifique que la guía para cortes longitudinales esté paralela a la hoja de la sierra.**
- No aserre a lo largo aplicando una fuerza de empuje a la sección de la pieza de trabajo que será la pieza cortada (libre).** Cuando se esté aserrando a lo largo, la fuerza de empuje debería ser aplicada siempre entre la hoja de la sierra y la guía; utilice un empujador para trabajos angostos con anchos de 152 mm (6") o menores.
- Mantenga la unidad del protector de la hoja de la sierra, el cuchillo separador y la unidad anti-rebote en su sitio y en buenas condiciones de funcionamiento.** Si la unidad anti-rebote no funciona adecuadamente, devuelva su herramienta al centro de servicio autorizado DeWalt más cercano para que sea reparada. La placa abridora y el cuchillo separador deben estar alineados con la hoja de la sierra y la unidad anti-rebote debe detener un rebote una vez que se haya iniciado. Compruebe su funcionamiento antes de aserrar a lo largo empujando la madera por debajo de la unidad anti-rebote. Los dientes deben evitar que se tire de la madera hacia la parte delantera de la sierra.
- Pueden cortarse con esta sierra materiales de plástico y compuestos (como pisos laminados).** Estos materiales pueden tener superficies duras o resbalosas, lo cual limita la efectividad de la unidad anti-rebote. Al cortar estos materiales, preste especial atención a las instrucciones para el corte longitudinal.
- Utilice la unidad del protector de la hoja de sierra, la unidad anti-rebote y el cuchillo separador en toda operación para la cual puedan ser usados, incluyendo el corte completo con traspaso.**
- Empuje la pieza de trabajo más allá de la hoja de la sierra antes de liberarla.**
- JAMÁS aserre a lo largo una pieza de trabajo que este torcida o deformada o que no tenga un borde recto que pueda deslizarse a lo largo de la guía.**
- JAMÁS corte una pieza de trabajo grande que no pueda ser controlada.**
- JAMÁS use la guía como un tope de longitud cuando realice cortes transversales.**
- JAMÁS corte una pieza de trabajo con nudos, defectos, clavos u otros objetos extraños.**
- JAMÁS corte longitudinalmente una pieza de trabajo más corta de 254 mm (10").**
- JAMÁS utilice una hoja roma – cámbiela o llévela a afilar.**

⚠️ ADVERTENCIA: Utilice SIEMPRE lentes de seguridad. Los anteojos normales NO son lentes de seguridad. Utilice también careta o mascarilla si en la operación de corte se produce polvo. USE SIEMPRE EQUIPO DE SEGURIDAD CERTIFICADO:

- Protección ocular según la norma ANSI Z87.1 (CAN/CSA Z94.3),
- Protección auditiva según la norma ANSI S12.6 (S3.19),
- Protección respiratoria según las normas NIOSH/OSHA/MSHA.

⚠️ ADVERTENCIA: Parte del polvo generado al lijar, serrar, esmerilar y taladrar, así como al realizar otras actividades de construcción, contiene sustancias químicas que según el Estado de California causan cáncer, defectos de nacimiento u otras afecciones reproductivas. Algunos ejemplos de estas sustancias químicas son:

- plomo procedente de pinturas a base de plomo,
- sílice cristalina procedente de ladrillos y cemento y otros productos de mampostería, y

- arsénico y cromo procedente de madera tratada químicamente.

El riesgo de estas exposiciones varía, dependiendo de la frecuencia con que realiza este tipo de trabajo. Para reducir su exposición a estas sustancias químicas, trabaje en una zona bien ventilada y utilice un equipo de seguridad aprobado, como mascarillas antipolvo que estén diseñadas específicamente para filtrar las partículas microscópicas.

- **Evite el contacto prolongado con el polvo generado al lijar, serrar, esmerilar y taladrar, así como al realizar otras actividades de construcción. Utilice ropa protectora y lave las áreas expuestas con agua y jabón.** El permitir que el polvo le entre en la boca o los ojos o que permanezca sobre la piel puede favorecer la absorción de productos químicos nocivos.

ADVERTENCIA: El uso de esta herramienta puede generar o dispersar polvo, que puede ocasionar lesiones respiratorias graves y permanentes u otras lesiones. Utilice siempre protección respiratoria apropiada para la exposición al polvo apropiada por NIOSH (Instituto Nacional de Seguridad y Salud en el Trabajo)/OSHA (Administración de Seguridad y Salud en el Trabajo). Aleje la cara y el cuerpo del contacto con las partículas.

AVISO: En ciertas condiciones de uso, como una operación prolongada en condiciones de baja humedad, o cuando se cortan ciertos materiales como bordes molduras de vinilo, pueden producirse cargas electrostáticas en las partes metálicas de la sierra. Al tocar estas partes metálicas se descargará esta estática y puede producirse una breve y ligera, pero inocua descarga eléctrica. Sin embargo, si esto le preocupa, puede llevar la sierra a un centro de servicio DeWALT para una inspección gratuita a fin de asegurarse de que la sierra no tenga ninguna falla eléctrica.

vice center for a free inspection to assure that there is no electrical malfunction of the saw.

La etiqueta de su herramienta puede incluir los siguientes símbolos. A continuación se indican los símbolos y sus definiciones:

V	voltios	~ or AC	corriente alterna
Hz	hertz	~ or AC/DC	corriente alterna o directa
min	minutos	☐	Construcción de Clase II (doble aislamiento)
— or DC	direct current	no	velocidad sin carga
Ⓢ	Construcción de Clase I (tierra)	n	velocidad nominal
.../min	por minuto	⊕	terminal de conexión a tierra
BPM	golpes por minuto	⚠	símbolo de advertencia de seguridad
IPM	impactos por minuto	☀	radiación visible
RPM	revoluciones por minuto	☼	protección respiratoria
sfpm	pies de superficie por minuto	👁	protección ocular
SPM	pasadas por minuto	👂	protección auditiva
A	amperios		
W	vatios		

LA BATERÍA NO ESTÁ CARGADA

La batería no viene completamente cargada de fábrica. Antes de utilizar la batería y el cargador, lea las siguientes instrucciones de seguridad y luego siga los procedimientos de carga indicados. Cuando pida baterías de repuesto, no olvide indicar el número de catálogo y el voltaje.

Su herramienta utiliza un cargador DeWALT. Lea todas las instrucciones de seguridad antes de usar el cargador. Consulte la tabla al final de este manual para información sobre compatibilidad entre cargadores y baterías.

LEA TODAS LAS INSTRUCCIONES

Instrucciones de Seguridad Importantes Para Todas las Unidades de Batería

ADVERTENCIA: Lea todas las advertencias de seguridad y todas las instrucciones para la batería, el cargador y la herramienta eléctrica. No seguir las advertencias y las instrucciones puede provocar una descarga eléctrica, un incendio y/o lesiones graves.

- **No cargue o use la unidad de batería en atmósferas explosivas, como en presencia de líquidos, gases o polvos inflamables.** Puede que al insertar o sacar la unidad de batería del cargador se inflamen el polvo o los gases.
 - **NUNCA fuerce la unidad de batería para que entre en el cargador. NO modifique la unidad de batería en ninguna forma para que entre en un cargador no compatible, pues puede producir una ruptura en la unidad de batería y causar lesiones corporales graves.** Consulte la tabla al final de este manual para ver la compatibilidad entre baterías y cargadores.
 - **Cargue las unidades de batería sólo en los cargadores designados por DeWALT.**
 - **NO salpique con ni sumerja en agua u otros líquidos.**
 - **No guarde ni use la herramienta y unidad de batería en lugares donde la temperatura pueda alcanzar o superar los 40 °C (104 °F), tales como cobertizos o construcciones de metal durante el verano.** Almacene las unidades de batería en lugares frescos y secos para maximizar su vida útil.
- NOTA:** No almacene las unidades de batería en la herramienta con el interruptor de gatillo en posición encendida fija. Nunca use cinta adhesiva para mantener el interruptor de gatillo en posición ENCENDIDA.
- **No incinere la unidad de batería, aunque esté completamente dañada o descargada. La unidad de batería puede explotar si se quema.** Cuando se queman unidades de batería de iones de litio, se producen gases y materiales tóxicos.

- **Si el contenido de la batería entra en contacto con la piel, lave el área de inmediato con agua y un jabón suave.** Si el líquido de la batería entra en contacto con sus ojos, enjuéguelos con agua y los ojos abiertos por 15 minutos o hasta que cese la irritación. Si se requiere de asistencia médica, el electrolito de la batería está compuesto por una mezcla de carbonatos orgánicos líquidos y sales de litio.
- **El contenido de los elementos abiertos de la batería puede causar irritación en el tracto respiratorio.** Salga al aire fresco. Si los síntomas persisten, busque asistencia médica.

ADVERTENCIA: Peligro de quemaduras. El líquido de la batería puede ser inflamable si se expone a chispas o llamas.

ADVERTENCIA: Peligro de incendio. Nunca intente abrir la unidad de batería por ningún motivo. Si la caja exterior de la unidad de batería se triza o daña, no la introduzca en el cargador. No triture, deje caer o dañe la unidad de batería. No use una unidad de batería o un cargador que haya sido golpeado, caído, atropellado o dañado en cualquier forma (por ejemplo, perforado por un clavo, golpeado con un martillo, pisado). Lleve sus unidades de batería dañadas al centro de servicio para que sean recicladas.

Transporte

ADVERTENCIA: Peligro de incendio. No guarde o transporte la batería de forma que los terminales expuestos de la misma puedan estar en contacto con objetos metálicos. Por ejemplo, no ponga la batería en delantales, bolsillos, cajas de herramientas, estuches de productos, cajones, etc., junto con clavos, tornillos, y llaves, etc. sueltos. **El transporte de baterías puede causar incendios si sus terminales inadvertidamente entran en contacto con materiales conductores como llaves, monedas, herramientas manuales y otros por el estilo.** El Reglamento sobre Materiales Peligrosos (HMR) del Departamento de Transporte de EE.UU. prohíbe transportar baterías comercialmente o en aviones en el equipaje de mano A MENOS que estén debidamente protegidas contra cortocircuitos. Por lo tanto, cuando transporte baterías individuales, asegúrese de que sus terminales estén protegidos y debidamente aislados de los materiales que pudieran entrar en contacto con ellos y provocar un cortocircuito.

Transporte De La Batería Flexvolt™ De DeWALT

La batería FLEXVOLT™ de DeWALT tiene dos modalidades: **Uso y transporte.**

Modalidad de uso: Cuando la batería FLEXVOLT™ está independiente o está en un producto DeWALT de 20 V Máx* funcionará como una batería de 20 V Máx*. Cuando la batería FLEXVOLT™ está en un producto de 60 V Máx* o 120 V Máx* (dos baterías de 60 V Máx*), funcionará como una batería de 60V Máx* .

Modalidad de transporte: Cuando la batería FLEXVOLT™ tiene puesta la tapa, la batería está en modalidad de transporte. Cadenas de celdas están desconectadas eléctricamente dentro de la unidad de batería, lo que resulta en tres baterías con una capacidad nominal de vatios hora (Wh) inferior comparada con una batería con una capacidad nominal de vatios hora superior. Esta mayor cantidad de tres baterías con una capacidad nominal de vatios-hora menor puede hacer que la unidad de batería quede exenta de ciertos reglamentos de transporte que se imponen a las baterías con mayor capacidad nominal de vatios-hora.

La etiqueta en la batería indica dos capacidades nominales de vatios-hora (ver el ejemplo). Dependiendo de cómo se transporta la batería, debe usarse la capacidad nominal vatios-hora apropiada para determinar los requisitos de transporte aplicables. Si se utiliza la tapa de transporte, la unidad de batería será considerada tres baterías con la capacidad nominal de vatios-hora indicada para «Transporte». Si se transporta sin la tapa o en una herramienta, la unidad de batería será considerada una batería con la capacidad nominal de vatios-hora indicada al lado de «Uso».

EJEMPLO DE MARCADO EN ETIQUETA DE USO Y TRANSPORTE

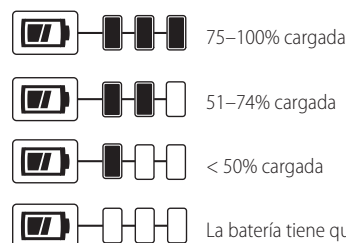
USE: 120 Wh Shipping: 3 x 40 Wh

La capacidad nominal de transporte vatios hora (Wh) indica 3 x 40 Wh, lo cual significa 3 baterías de 40 vatios hora cada una. La capacidad nominal de uso Wh indica 120 vatios hora (se implica una batería).

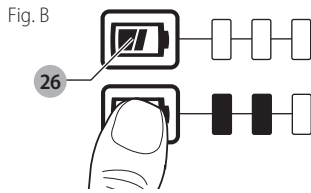
Unidades de Batería con Indicador de Carga (Fig. B)

Algunas unidades de batería DeWALT incluyen un indicador de carga que consiste de tres luces LED verdes que indican el nivel de carga que queda en la unidad de batería.

El indicador de carga es una indicación de niveles aproximados de carga que quedan en la batería según los indicadores siguientes:



Para activar el indicador de carga, presione y sostenga el botón del indicador **26**. Se iluminará una combinación de las tres luces LED verdes, que indicará el nivel de carga que queda. Cuando el nivel de carga está por debajo del nivel útil, el indicador no se iluminará, y la batería deberá recargarse.



NOTA: El indicador de carga es sólo eso: un indicador de la carga de la unidad de batería. No indica el nivel de funcionalidad de la herramienta y puede variar de acuerdo a las piezas del producto, la temperatura y la aplicación que el usuario le dé.

Para mayor información sobre unidades de batería con indicadores de carga, por favor llame al 1-800-4-DEWALT (1-800-433-9258) o visite nuestro sitio Web: www.dewalt.com.

El sello RBRC®

El sello RBRC® (Rechargeable Battery Recycling Corporation) en las baterías (unidades de batería) de níquel cadmio, níquel e hidruro metálico o de iones de litio indica que el costo de reciclaje de estas baterías (o unidades de batería) al llegar al final de su vida de servicio ya ha sido pagado por DeWALT. En algunas áreas, es ilegal depositar baterías de níquel cadmio, níquel e hidruro metálico o de iones de litio gastadas en la basura o la corriente de residuos sólidos urbanos; el programa Call 2 Recycle® proporciona una alternativa ecológica.

Call 2 Recycle, Inc., en cooperación con DeWALT y otros usuarios de baterías, han establecido programas en los Estados Unidos y Canadá para facilitar la recolección de baterías de níquel cadmio, níquel e hidruro metálico o de iones de litio gastadas. Al llevar sus baterías de níquel cadmio, níquel e hidruro metálico y de iones de litio gastadas a un centro de servicio autorizado por DeWALT o al minorista local para que sean recicladas, ayuda a proteger el medio ambiente y a conservar recursos naturales. También puede comunicarse con el centro de reciclaje de su localidad para mayor información sobre dónde llevar sus baterías gastadas.

RBRC® es una marca comercial registrada de Call 2 Recycle, Inc.



Instrucciones Importantes de Seguridad Para Todos los Cargadores de Baterías

⚠️ ADVERTENCIA: Lea todas las advertencias de seguridad y todas las instrucciones para la batería, el cargador y la herramienta eléctrica. No seguir las advertencias y las instrucciones puede provocar una descarga eléctrica, un incendio y/o lesiones graves.

- **NO intente cargar la unidad de batería con otros cargadores que no sean los descritos en este manual.** El cargador y la unidad de batería fueron específicamente diseñados para trabajar en conjunto.
- **Estos cargadores no fueron diseñados para ser utilizados para más que cargar las baterías recargables DeWALT.** Cualquier otro uso puede producir riesgo de incendios, descargas eléctricas o electrocución.
- **No exponga el cargador a la lluvia o a la nieve.**
- **Tire del enchufe y no del cable cuando desconecte el cargador.** De esta forma se reduce el riesgo de daño al enchufe y cable.
- **Asegúrese de que el cable no sea ubicado de manera que podría ser pisado, causar que alguien tropiece con él o ser expuesto a otro tipo de daños y desgastes.**
- **No use un alargador a menos que sea absolutamente necesario.** El uso de un alargador incorrecto podría producir riesgo de incendios, descargas eléctricas o electrocución.
- **Cuando opere un cargador al exterior, hágalo siempre en un lugar seco y use un alargador apropiado para uso al exterior.** El uso de un alargador apropiado para uso al exterior reduce el riesgo de descarga eléctrica.
- **Los hilos del alargador deben ser de un calibre apropiado (AWG o American Wire Gauge) para su seguridad.** Mientras menor sea el calibre del hilo, mayor la capacidad del cable. Es decir, un hilo calibre 16 tiene mayor capacidad que uno de 18. Un cable de un calibre insuficiente causará una caída en la tensión de la línea dando por resultado una pérdida de energía y sobrecalentamiento. Cuando se utilice más de un alargador para completar el largo total, asegúrese que los hilos de cada alargador tengan el calibre mínimo. La tabla siguiente muestra el tamaño correcto a utilizar, dependiendo de la longitud del cable y del amperaje nominal de la placa de identificación. Si tiene dudas sobre cuál calibre usar, use un calibre mayor. Cuanto menor sea el número del calibre, más resistente será el cable.

Calibre mínimo de conjuntos de cables

Voltios	Longitud total del cable en pies (metros)				
	25 (7,6)	50 (15,2)	100 (30,5)	150 (45,7)	
120 V	25 (7,6)	50 (15,2)	100 (30,5)	150 (45,7)	
240 V	50 (15,2)	100 (30,5)	200 (61,0)	300 (91,4)	
Amperaje nominal		AWG			
Más de	Más de				
0	6	18	16	16	14
6	10	18	16	14	12
10	12	16	16	14	12
12	16	14	12	Not Recommended	

- **No coloque ningún objeto encima del cargador ni coloque a este sobre una superficie blanda que pudiera bloquear las ranuras de ventilación y resultar en un calor interno**

excesivo. Coloque el cargador en un lugar alejado de cualquier fuente de calor. El cargador se ventila a través de las ranuras que se encuentran en la parte superior e inferior de la caja protectora.

- **No opere el cargador si su cable o enchufe están dañados.**
- **No opere el cargador si ha recibido un golpe agudo, si se ha caído o si ha sido dañado de alguna otra forma.** Llévelo a un centro de servicio autorizado.
- **No desarme el cargador; llévelo a un centro de servicio autorizado cuando deba ser reparado.** Si es reensablado incorrectamente, puede causar descargas eléctricas, electrocución o incendios.
- **Desenchufe el cargador antes de intentar limpiarlo.** Esto reducirá el riesgo de descargas eléctricas. El retirar el paquete de baterías no reducirá este riesgo.
- **NUNCA intente conectar 2 cargadores entre sí.**
- **El cargador está diseñado para operar con una corriente eléctrica estándar residencial de 120 V. No intente usarlo con ningún otro voltaje.** Esto no aplica al cargador vehicular.

⚠️ ADVERTENCIA: Peligro de descarga eléctrica. No permita que ningún líquido se introduzca en el cargador. Puede producir descargas eléctricas.

⚠️ ADVERTENCIA: Peligro de quemaduras. No sumerja la unidad de batería en líquido de ningún tipo ni permita que se introduzca ningún tipo de líquido a la unidad de batería. Nunca intente abrir la unidad de batería por ningún motivo. Si la caja plástica de la unidad de batería se triza o rompe, llévela a un centro de servicio para su reciclaje.

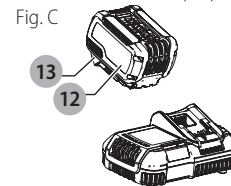
⚠️ ATENCIÓN: Peligro de lesiones, sólo cargue unidades de batería recargables marca DeWALT. Otros tipos de batería podrían sobrecalentarse y reventar lo que podría resultar en lesiones corporales y daños a su propiedad.

⚠️ ATENCIÓN: Cuando no se esté utilizando la batería, manténgala alejada de otros objetos de metal, como clips, monedas, llaves, clavos, tornillos u otros objetos metálicos pequeños que pueden hacer una conexión de un terminal a otro. Un cortocircuito entre los terminales de la batería puede ocasionar quemaduras o un incendio.

AVISO: Bajo ciertas condiciones, cuando el cargador está enchufado a una toma de corriente, el cargador puede hacer cortocircuito si entra en contacto con algún material ajeno. Los materiales ajenos de naturaleza conductora, como el polvo de esmerilado, las placas de metal, la lana de acero, el papel de aluminio y otros, o cualquier acumulación de partículas metálicas deberían mantenerse alejados de las cavidades del cargador. Desenchufe siempre el cargador cuando no haya una unidad de batería en su cavidad. Desenchufe el cargador antes de intentar limpiarlo.

Carga de una batería (Fig. C)

1. Enchufe el cargador en una toma de corriente apropiada antes de introducir la batería.



2. Inserte la batería **12** en el cargador, comprobando esté bien fija. La luz roja (de carga) parpadeará continuamente para indicar que se ha iniciado el proceso de carga.
3. La luz roja se quedará ENCENDIDA continuamente cuando se haya completado el proceso de carga. La batería estará entonces completamente cargada y podrá ser utilizada de inmediato o dejarse en el cargador. Para sacar la batería del cargador, presione el botón de liberación **13** de la batería.

NOTA: Para asegurar el máximo rendimiento y vida útil de las baterías de iones de litio, cargue la batería completamente antes de usarla por primera vez.

Funcionamiento del cargador

Consulte los indicadores a continuación relativos al estado de carga de la batería.

DCB101	
	Unidad en Proceso de Carga — — — — —
	Unidad Cargada — — — — —
	Restraso por Unidad Caliente/Frías — • — — — •
	Problema con la Batería o el Cargador • • • • •
DCB107, DCB112, DCB113, DCB115, DCB118	
	Unidad en Proceso de Carga — — — — —
	Unidad Cargada — — — — —
	Restraso por Unidad Caliente/Frías* — — — — —

*DCB107, DCB112, DCB113, DCB115, DCB118: La luz roja continuará parpadeando, pero una luz indicadora amarilla estará iluminada durante esta operación. Una vez que la batería haya llegado a una temperatura apropiada, la luz amarilla se apagará y el cargador continuará con el procedimiento de carga.

El cargador no cargará una batería defectuosa. El cargador indicará que la unidad de batería es defectuosa al no iluminarse o al indicar que existe un problema con la unidad o el cargador.

NOTA: Esto también puede significar que hay un problema con el cargador.

Si el cargador indica un problema, lleve el cargador y la batería a un centro de servicio autorizado para que sean sometidos a pruebas.

Retraso por batería caliente/fría

Cuando el cargador detecta que una batería está demasiado caliente o demasiado fría, inicia automáticamente un Retraso por batería caliente/fría y suspende la carga hasta que la batería alcanza una temperatura adecuada. En ese momento, el cargador inicia automáticamente el modo de carga de la batería. Esta función garantiza la máxima duración de la batería.

Una batería fría se carga más lentamente que una batería caliente. La batería se cargará a ese ritmo más lento durante todo el ciclo de carga y no volverá a cargarse a la velocidad de carga máxima incluso si la batería se calienta.

El cargador DCB118 está equipado con un ventilador interno diseñado para enfriar la batería. El ventilador se encenderá automáticamente cuando la batería tenga que enfriarse.

No opere nunca el cargador si el ventilador no funciona adecuadamente o si las ranuras de ventilación están obstruidas. No permita que entren objetos extraños dentro del cargador.

Sistema de protección electrónica

Las herramientas con baterías de iones de litio están diseñadas con un Sistema de protección electrónico que protegerá la batería contra la sobrecarga, el sobrecalentamiento o la descarga completa.

La herramienta se apagará automáticamente si el Sistema de protección electrónico se activa. Si esto ocurre, coloque la batería de iones de litio en el cargador hasta que esté totalmente cargada.

Montaje en la pared

DCB107, DCB112, DCB113, DCB115, DCB118:

Estos cargadores están diseñados para montarse en la pared o colocarse en posición vertical sobre una mesa o superficie de trabajo. Si lo monta en la pared, coloque el cargador al alcance de una toma de corriente eléctrica y alejado de las esquinas u otras obstrucciones que puedan impedir el flujo de aire. Utilice la parte de atrás del cargador como plantilla para la ubicación de los tornillos de montaje en la pared. Monte el cargador firmemente utilizando tornillos para muro seco (comprados por separado) de un mínimo de 25,4 mm (1") de largo, con una cabeza de un diámetro de 7-9 mm (0,28-0,35"), atornillados en madera hasta una profundidad óptima dejando el tornillo expuesto aproximadamente 5,5 mm (7/32"). Alinee las ranuras en la parte trasera del cargador con los tornillos expuestos e introdúzcalos totalmente en las ranuras.

Instrucciones de limpieza del cargador

ADVERTENCIA: Riesgo de descarga eléctrica. Desconecte el cargador del tomacorriente de CA antes de limpiarlo. Para limpiar la suciedad y grasa del exterior del cargador puede usarse un paño o cepillo suave no metálico. No use agua ni soluciones limpiadoras.

Notas importantes sobre la carga

- Se puede obtener una mayor duración y un mejor rendimiento si la unidad de batería se carga a una temperatura ambiente de 18–24 °C (65–75 °F). NO cargue la unidad de batería a una temperatura ambiental inferior a +4.5 °C (+40 °F) o superior a +40 °C (+104 °F). Esto es importante y evitará causar daños graves a la batería.
- Puede que el cargador y la unidad de batería se calienten ligeramente durante el proceso de carga. Esto es normal y no representa ningún problema. Para facilitar el enfriamiento de la unidad de batería después del uso, evite colocar el cargador o la unidad de batería en un lugar cálido, como un cobertizo metálico o un remolque sin aislamiento térmico.
- Si la unidad de batería no se carga correctamente:
 - Verifique el funcionamiento de la toma enchufando una lámpara u otro aparato;
 - Revise que la toma de corriente no esté conectada a un interruptor de luz que corte la corriente cuando se corte la luz;
 - Mueva el cargador y la unidad de batería a un lugar donde la temperatura ambiental sea aproximadamente 18–24 °C (65–75 °F);
 - Si el problema de carga continúa, lleve la herramienta, unidad de batería y el cargador a su centro de servicio local.
- La unidad de batería debería ser recargada cuando no sea capaz de producir suficiente potencia para trabajos que eran fácilmente realizados antes. NO CONTINÚE usándola bajo estas circunstancias. Siga el procedimiento de carga. También puede cargar una unidad de batería que haya sido usada parcialmente cuando lo desee, sin dañarla.
- Los materiales ajenos conductores por naturaleza, tales como, pero sin limitarse a, el polvo del esmerilado, las virutas metálicas, la lana de acero, el papel de aluminio o cualquier acumulación de partículas metálicas deberían mantenerse alejados de las cavidades del cargador. Desenchufe siempre el cargador de la toma de corriente cuando no haya una unidad de batería en su cavidad. Desenchufe el cargador antes de intentar limpiarlo.
- No congele ni sumerja el cargador en agua o cualquier otro líquido.

Recomendaciones de almacenamiento

- El mejor lugar de almacenamiento es uno que sea fresco y seco, lejos de la luz solar directa y del exceso de calor o frío.
- Para resultados óptimos durante tiempos prolongados de almacenamiento, se recomienda almacenar la unidad de batería completamente cargada en un lugar fresco y seco fuera del cargador.

NOTA: Las unidades de batería no deberían almacenarse completamente descargadas. La unidad de batería deberá recargarse antes de ser usada.

GUARDE ESTAS INSTRUCCIONES PARA VOLVER A CONSULTAR EN EL FUTURO

Especificaciones

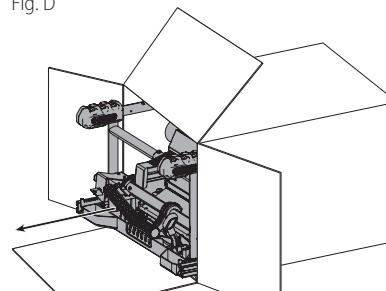
Tamaño del banco	485 x 485 mm (19 x 19")
Ángulo de inglete	30° izquierdo y derecho
Ángulo de biselado	-2° a 47° izquierdo
Tamaño de la hoja	210 mm (8-1/4")
Profundidad de corte máx, bisel 0°	65 mm (2-9/16")
Profundidad de corte máx, bisel 45°	45 mm (1-3/4")
RPM, sin carga	5800

Desembalaje (Fig. D)

ADVERTENCIA: Para reducir el riesgo de lesiones, NO instale la batería hasta que la sierra de banco esté totalmente ensamblada y haya leído todo el manual de instrucciones.

Abra la caja y deslice la sierra para sacarla como se muestra en la Figura D.

Fig. D



Desembale con cuidado la sierra de banco y todas las piezas sueltas de la caja. Examine todas las piezas para asegurarse de que no se hayan dañado durante el transporte. Si alguna pieza falta o está dañada, póngase en contacto con su distribuidor para cambiarla antes de intentar ensamblar la herramienta.

COMPONENTES (FIG. A)

ADVERTENCIA: Jamás altere la herramienta eléctrica ni ninguna de sus piezas. Podrían producirse lesiones corporales o daños.

Consulte la Figura A al principio de este manual para obtener una lista completa de los componentes.

USO DEBIDO

Esta sierra de banco está diseñada para ser utilizada por profesionales de la construcción en aplicaciones de corte longitudinal, corte transversal, corte a inglete, biselado y corte sin traspaso en madera, plástico y otros materiales blandos.

NO debe usarse para cortar metal, paneles de cemento o mampostería.

NO deben usarse en esta sierra fresas rotativas para ranurar o moldear.

NO debe usarse en condiciones húmedas ni en presencia de líquidos o gases inflamables.

NO permita que los niños toquen la herramienta. Si el operador no tiene experiencia utilizando esta herramienta, deberá ser supervisado.

ENSAMBLAJE

ADVERTENCIA: Riesgo de descarga eléctrica. Para reducir el riesgo de lesión corporal grave, apague la máquina y desconecte la batería antes de intentar moverla, cambiar accesorios o realizar ajustes. La puesta en marcha accidental puede causar lesiones.

Orden de ensamblaje (Fig. A)

- Desbloquee y retire la placa de garganta **17**. Consulte la sección **Desensamblaje de la placa de garganta**.
- Asegúrese de que la hoja esté instalada correctamente y la tuerca del eje esté apretada. Use las llaves **21** almacenadas en la herramienta. Consulte la Figura A.
- Coloque la unidad del protector de la hoja **11**.
- Instale la unidad anti-rebote **14** a la unidad del protector.
- Instale y bloquee la placa de garganta **17**. (**NOTA:** Ajuste los tornillos de nivelado antes de continuar. Consulte **Instalación de la placa de garganta**.)
- Instale la guía para cortes longitudinales **18**. (**NOTA:** Ajuste la escala para cortes longitudinales antes de continuar. Consulte **Ajuste de la escala para cortes longitudinales**.)

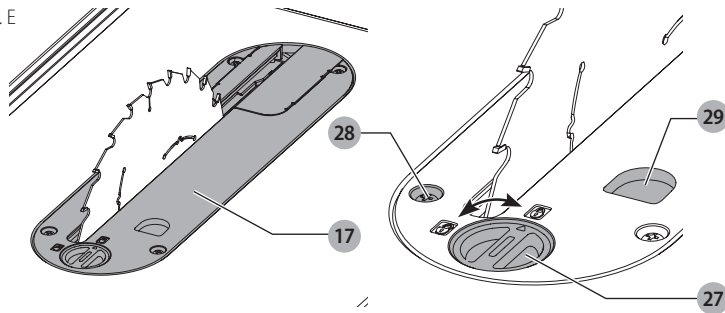
NOTA: Para instalar esta sierra de banco a un soporte, siga las instrucciones incluidas con la unidad del soporte.

Instalación de la placa de garganta (Fig. E)

- Alinee la placa de garganta **17** como se muestra en la Figura E, e inserte las lengüetas de la parte posterior de la placa de garganta en los orificios en la parte posterior de la abertura del banco.

2. Gire la leva en el sentido contrario a las manillas del reloj hasta que la parte frontal de la placa de garganta se acople en su sitio. Fije el ensamblaje rotando la perilla de bloqueo de la leva **27** 1/4 de vuelta en el mismo sentido de las manillas del reloj. (cuando el seguro de la leva está bajo el banco sosteniendo la placa de garganta en su sitio).
3. La placa de garganta incluye cuatro tornillos de ajuste **28** que levantan o bajan la placa de garganta. Cuando se ajusta correctamente, la parte frontal de la placa de garganta debe quedar nivelada o ligeramente por debajo de la superficie superior del banco y fijado en su sitio. La parte posterior de la placa de garganta debe quedar nivelada o ligeramente por encima de la parte superior del banco.

Fig. E



Desensamblaje de la placa de garganta.

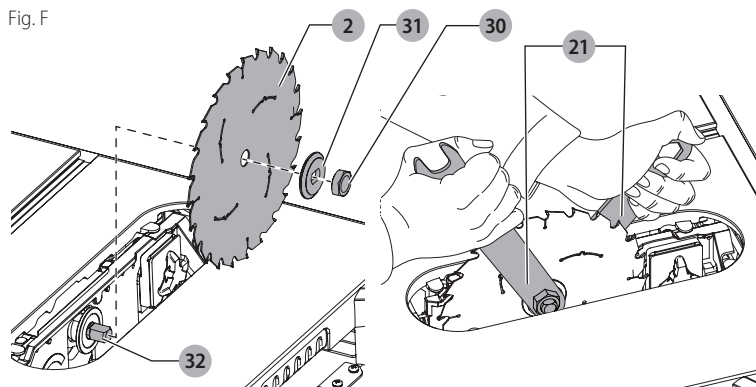
1. Retire la placa de garganta **17** haciendo girar la perilla de bloqueo de la leva **27** 1/4 de vuelta en el sentido contrario a las manillas del reloj.
2. Utilizando el orificio para el dedo **29** en la placa, jale la placa de garganta hacia arriba y hacia adelante para dejar al descubierto el interior de la sierra. **NO** opere la sierra sin la placa de garganta.

⚠️ ADVERTENCIA: Para reducir el riesgo de lesión corporal grave, la placa de garganta debe estar bloqueada en todo momento.

Instalación/cambio de la hoja (Fig. A, E, F)

1. Levante el eje de la hoja de la sierra hasta su altura máxima girando la rueda de ajuste de altura de la hoja **6** en el mismo sentido de las manillas del reloj.
2. Saque la placa de garganta **17**.
3. Retire la tuerca del eje **30** y la arandela de sujeción **31** del eje de la sierra girando en el sentido contrario a las manillas del reloj.

Fig. F



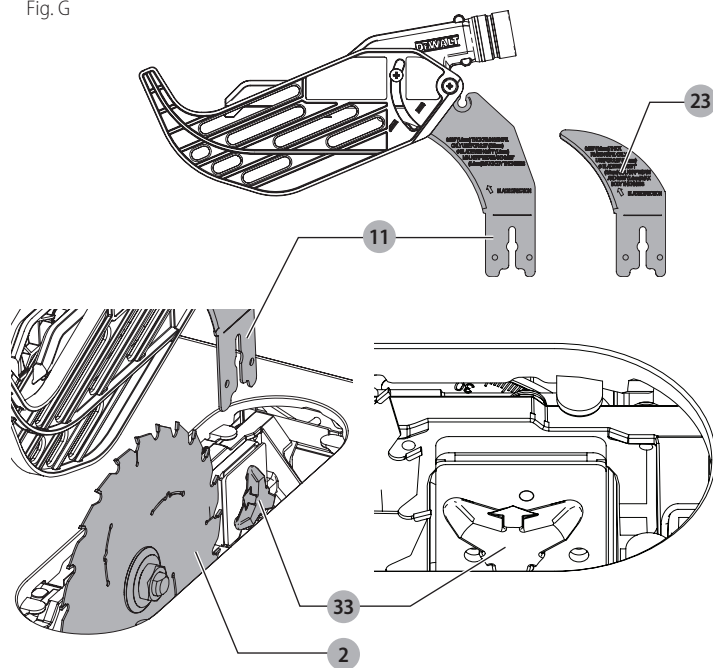
4. Coloque la hoja de la sierra en el eje **32** asegurándose de que los dientes de la hoja **2** apunten hacia abajo en la parte delantera del banco. Ensamble la arandela de sujeción **31** y la tuerca del eje y apriete la tuerca del eje **30** lo más posible a mano, asegurándose de que la hoja de la sierra esté contra la pestaña interior de la arandela de sujeción contra la hoja. Compruebe que el diámetro mayor de la arandela de sujeción esté contra la hoja. Compruebe que el eje y la arandela de sujeción no tengan polvo y residuos.
5. Utilice el extremo abierto de la llave **21** para evitar que el eje gire al apretar la tuerca del eje.
6. Utilizando la otra llave, apriete la tuerca del eje **30** girándola en el sentido de las manillas del reloj.
7. **NOTA:** Distintos tipos de hoja hacen distintos cortes (anchura de cortes). Por lo tanto, es necesario comprobar el ajuste de la escala de cortes longitudinales al cambiar las hojas. La hoja de repuesto **NO** DEBE exceder el grosor indicado en el cuchillo separador. El cuchillo separador suministrado con la sierra tiene 1.6 mm de grosor.

Instalación/retiro de la unidad del protector de la hoja y el cuchillo separador (Fig. G)

⚠️ ADVERTENCIA: Use la unidad del protector de la hoja para realizar cortes completos con traspaso.

NOTA: La sierra se envía con el cuchillo separador para cortes sin traspaso instalado.

Fig. G



1. Levante el eje de la hoja de sierra hasta su altura máxima.
2. Afloje la perilla de bloqueo del cuchillo separador **33** (mínimo tres vueltas).
3. Para desbloquear el pasador de seguro del cuchillo separador, empuje la perilla de bloqueo hacia el cuchillo separador como indican las flechas amarillas en la perilla.
4. Mientras empuja la perilla de bloqueo, levante el cuchillo separador de la abrazadera. Luego deslice la unidad del protector de la hoja en la abrazadera hasta que llegue al fondo.

⚠️ ADVERTENCIA: No inserte al mismo tiempo la unidad del protector y el cuchillo separador en la abrazadera.

5. Libere la perilla de bloqueo para activar el seguro de bloqueo. Jale ligeramente hacia arriba el protector de la hoja para asegurarse de que el seguro esté activado.
6. Apriete la perilla de bloqueo del cuchillo separador.
7. Vuelva a instalar la placa de garganta.
8. Para retirar la unidad del protector de la hoja, siga estos pasos en orden inverso.

NOTA: Siga los mismos pasos de arriba para la instalación del cuchillo separador.

⚠️ ADVERTENCIA: Antes de insertar la batería en la sierra de banco o de utilizar la sierra, inspeccione siempre la unidad del protector de la hoja y el cuchillo separador para verificar una alineación y espacio adecuados con la hoja de la sierra. Compruebe la alineación después de cada cambio del ángulo de bisel.

NOTA: NO opere la sierra si el pasador del seguro del cuchillo separador no está bloqueado en el protector de hoja o cuchillo separador.

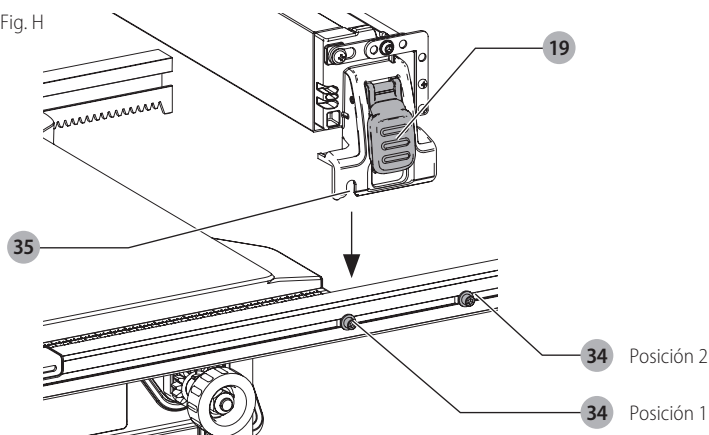
Cuando está alineado adecuadamente, el cuchillo separador estará alineado con la hoja en el nivel superior del banco y en la parte superior de la hoja. Usando un borde recto, asegúrese de que la hoja **2** esté alineada con el cuchillo separador **23** como se muestra en la Figura G. Con la electricidad desconectada, ponga en funcionamiento los ajustes de inclinación y altura de la hoja a través de los extremos de viaje y asegúrese de que la unidad del protector de la hoja despeje la hoja en todas las operaciones y que la unidad anti-rebote esté funcionando.

Montaje de la guía para cortes longitudinales (Fig. H)

La guía para cortes longitudinales puede instalarse en dos posiciones a la derecha (posición 1 para corte longitudinal de 0 a 20° y posición 2 para corte longitudinal, de 4 a 24°) y una posición a la izquierda en su sierra de banco.

1. Alinee los pasadores posicionadores **34** en los rieles de la guía con las ranuras **35** en cada extremo de la guía.
2. Coloque la guía en el riel como se muestra en la Figura H manteniendo la alineación del pasador y la ranura en ambos extremos de la guía.
3. Asegure la guía para cortes longitudinales encajando los pasadores **19** en los rieles. Asegúrese de que encajen en su sitio los seguros delantero y trasero.

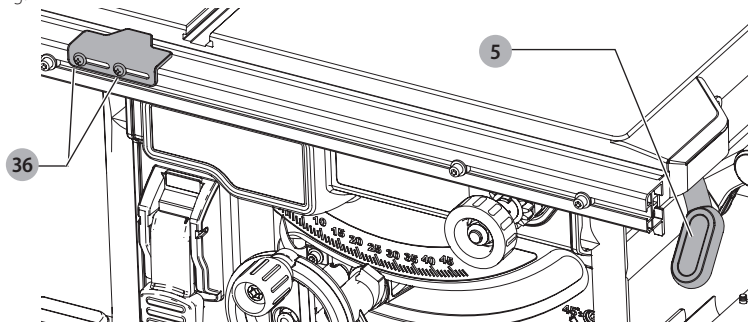
Fig. H



Ajuste de la escala para cortes longitudinales (Fig. I)

1. Desbloquee la palanca de bloqueo del riel **5**.
2. Fije la hoja a un bisel de 0° y mueva la guía hacia adentro hasta que toque la hoja.
3. Bloquee la palanca de bloqueo del riel.
4. Afloje los tornillos del indicador de la escala para cortes longitudinales **36** y fije el indicador para que marque cero (0). Vuelva a apretar los tornillos del indicador de la escala para cortes longitudinales. La escala amarilla para cortes longitudinales (superior) marca correctamente solo cuando la guía está montada en la parte derecha de la hoja y está en la posición 1 (para cortes longitudinales de 0 a 20") [no en la posición de corte longitudinal de 24"]. La escala blanca (inferior) marca correctamente solo cuando la guía está montada en el lado derecho de la hoja y en la posición 2 (para cortes longitudinales de 4 a 24"). Se dispone de una escala métrica por un costo adicional, consulte la sección **Accesorios** para obtener más detalles.

Fig. I



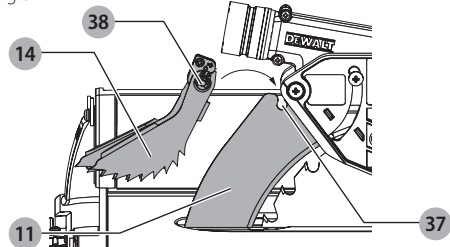
Unidad anti-rebote (Fig. J)

ADVERTENCIA: Para reducir el riesgo de lesión corporal grave, la unidad anti-rebote debe estar en su sitio para todos los posibles cortes.

1. Retire la unidad anti-rebote **14** de la posición de almacenamiento presionando el vástago. Consulte la sección **Almacenamiento**.
2. Ubique la ranura de montaje anti-rebote **37** en la parte superior trasera de la unidad del protector de la hoja **11**.
3. Alinee el vástago **38** con la ranura de montaje. Presione el vástago (II) y empuje hacia abajo en la unidad anti-rebote **14** hasta que encaje y quede bloqueado en su sitio.
4. Para sacar la unidad anti-rebote, presione el vástago y tire hacia arriba y hacia afuera de la ranura de montaje.

Con la batería quitada, ponga en funcionamiento los ajustes de inclinación y altura a través de los extremos de viaje y asegúrese de que la unidad del protector de la hoja despeje la hoja en todas las operaciones y que la unidad anti-rebote esté funcionando.

Fig. J



Montaje sobre banco (Fig. A)

NOTA: Un soporte de sierra de banco portátil está diseñado para ser utilizado con esta sierra y puede obtenerse de un distribuidor o centro de servicio DeWALT por un costo adicional.

ADVERTENCIA: Para disminuir el riesgo de lesiones corporales graves, apague la herramienta y extraiga la batería antes de realizar cualquier ajuste o de quitar o instalar accesorios. La puesta en marcha accidental puede causar lesiones.

ADVERTENCIA: Para reducir el riesgo de lesiones, la sierra debe estar bien sujeta para evitar un movimiento imprevisto durante el uso.

La sierra de banco debe estar firmemente montada a un soporte, banco de trabajo u otro apoyo rígido y estable para que la sierra no se mueva mientras se corta y no pueda ser volcada por grandes piezas de material que cuelguen. Se proporcionan cuatro orificios de montaje **9** en la estructura de metal para que la sierra de banco esté bien fijada a un soporte u otro medio de apoyo.

1. Centre la sierra en la superficie de trabajo estable deseada.
2. Atornille cuatro tornillos largos de 88,9 mm (3 1/2") a través de los orificios **9** de la estructura de metal. Asegúrese de que los tornillos traspasen la estructura y ajústelos firmemente a la superficie de trabajo de apoyo.

NOTA: Si le preocupa estropear la superficie de trabajo de apoyo, la sierra de banco puede montarse sobre madera de desecho, que luego puede sujetarse a la superficie de trabajo deseada.

3. Corte una pieza de contrachapado de 19 mm (3/4") que quepa debajo de la superficie que ocupa la sierra.
4. Atornille la sierra a la pieza de contrachapado y sujete el trozo de contrachapado que cuelgue a la superficie de trabajo. Si los tornillos sobresalen de la base de contrachapado, instálela en dos piezas de material de desecho de igual grosor y sujételas a los bordes del contrachapado para sujetar la sierra más lejos de la superficie de trabajo y evitar que los tornillos estropeen la superficie.

ASSEMBLAGE ET AJUSTEMENTS

(if there is no assembly, this section may be Ajustements)

ADVERTISSEMENT: pour réduire le risque de blessures graves, éteindre l'outil et retirer le bloc-piles avant d'effectuer tout réglage et d'enlever ou d'installer tout accessoire. Un démarrage accidentel peut provoquer des blessures.

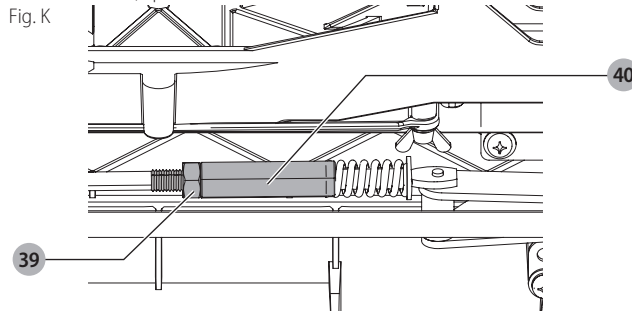
NOTA: Esta sierra está completa y adecuadamente ajustada en la fábrica en el momento de la fabricación. Si fuera preciso volver a realizar un ajuste debido al transporte y manipulación, o a cualquier otro motivo, siga las secciones que aparecen a continuación para ajustar la sierra.

Una vez realizados estos ajustes, deberá mantenerse su precisión. Tómese un poco de tiempo ahora para seguir estas instrucciones con cuidado para mantener la exactitud de lo que es capaz esta sierra.

Ajuste de bloqueo de riel (Fig. I, K) (Apriete del sistema de sujeción de la guía)

1. Bloquee la palanca de bloqueo del riel **5**.
2. En la parte inferior de la sierra, afloje la tuerca de bloqueo **39**.
3. Apriete la varilla hexagonal **40** hasta que el resorte del sistema de bloqueo esté más comprimido (no totalmente comprimido) y cree la tensión deseada en la palanca de bloqueo del riel. Vuelva a apretar la tuerca de bloqueo contra la varilla hexagonal.
4. Compruebe que la guía no se mueva cuando la palanca de bloqueo esté activada. Si la guía sigue estando suelta, apriete más el resorte.

Fig. K



Ajuste de la escala para cortes longitudinales

Consulte la sección **Ajuste de la escala para cortes longitudinales** bajo **Ensamblaje**.

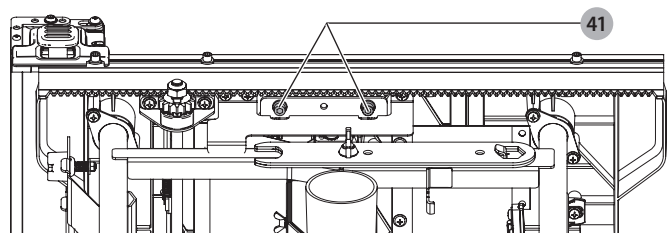
Ajuste de la alineación de la hoja (Fig. L) (Hoja paralela a la ranura de inglete)

ADVERTENCIA: Riesgo de corte. Compruebe la hoja a 0° y 45° para asegurarse de que la hoja no golpee la placa de garganta, y cause lesiones corporales.

Si la hoja parece estar desalineada con respecto a la ranura de inglete de la superficie del banco, requerirá calibrado para la alineación. Para realinear la hoja y la ranura de inglete, use el siguiente procedimiento:

ADVERTENCIA: Para disminuir el riesgo de lesiones corporales graves, apague la herramienta y extraiga la batería antes de realizar cualquier ajuste o de quitar o instalar accesorios. La puesta en marcha accidental puede causar lesiones.

Fig. L

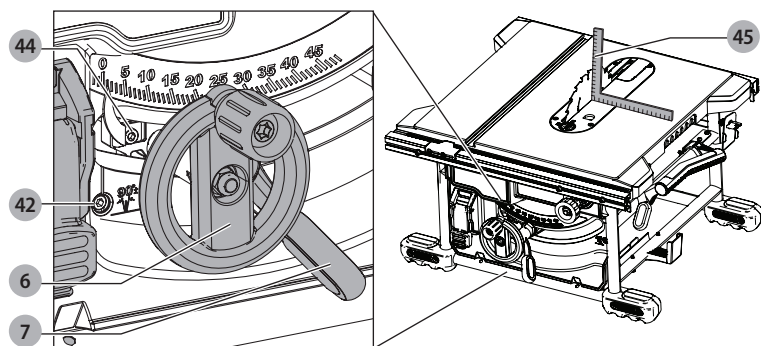


1. Utilizando una llave hexagonal de 5 mm, afloje las piezas de sujeción del soporte de pivote trasero **41** lo suficiente para permitir que el soporte se mueva de un lado a otro.
2. Ajuste el soporte hasta que la hoja esté paralela a la ranura del calibrador de inglete.
3. Apriete las piezas de sujeción del soporte del pivote trasero hasta 110–120»-lbs (12,5–13,6 Nm).

Ajuste del tope e indicador de bisel (Fig. M)

1. Levante totalmente la hoja girando la rueda de ajuste de altura de la hoja **6** en el sentido de las manillas del reloj hasta que se detenga.
2. Desbloquee la palanca de bloqueo de bisel **7** empujándola hacia arriba y hacia la derecha. Afloje el tornillo de tope de bisel **42**.
3. Coloque una escuadra **45** plana contra la superficie del banco y contra la hoja entre los dientes, como se muestra en la Figura M. Asegúrese de que la palanca de bloqueo de bisel esté en posición desbloqueada o hacia arriba.
4. Utilizando la palanca de bloqueo de bisel, ajuste el ángulo de bisel hasta que esté plano contra la escuadra.
5. Apriete la palanca de bloqueo de bisel empujándola hacia abajo.
6. Gire el tornillo de tope de bisel **42** para rotar la leva hasta que esté firmemente en contacto con el bloque de cojinete. Apriete el tornillo de tope de bisel **42**.
7. Compruebe la escala de ángulo de bisel. Si el indicador no muestra 0°, afloje el tornillo del indicador **44** y mueva el indicador para que funcione correctamente. Vuelva a apretar el tornillo del indicador.
8. Repita a 45°, pero no ajuste el indicador.

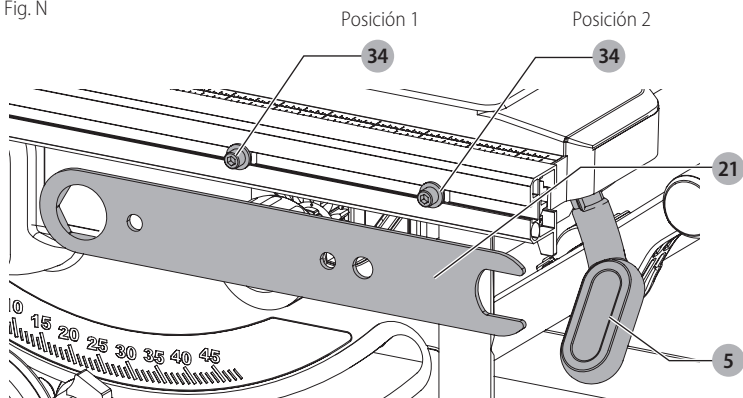
Fig. M



Ajuste de la alineación de la guía (Fig. H, N) (Hoja paralela a la guía)

Si experimenta problemas con la alineación de la guía y desea corregir la posición no paralela entre la guía y la hoja, asegúrese de verificar en primer lugar la alineación de la hoja con la ranura de inglete. Luego de confirmar que tales elementos están alineados, proceda con la alineación de la hoja con la guía, utilizando el procedimiento siguiente:

Fig. N



Alineación de la guía en posición 1

1. Instale la guía en la posición 1 (Consulte la Figura H) y desbloquee la palanca de bloqueo del riel **5**. Localice ambos pasadores posicionadores **34** que apoyan la guía en los rieles delanteros y traseros.

2. Afloje el tornillo del pasador posicionador posterior y ajuste la alineación de la guía en la ranura hasta que la parte delantera de la guía se sitúe paralela a la hoja. Asegúrese de medir desde la parte delantera de la guía hasta la parte de delante y de atrás de la hoja para asegurar la alineación.
3. Apriete el tornillo del pasador posicionador.
4. Compruebe el ajuste del indicador de la escala para cortes longitudinales.

NOTA: Siga las instrucciones de **alineación de la guía en posición 1** para alinear la guía a la izquierda de la hoja.

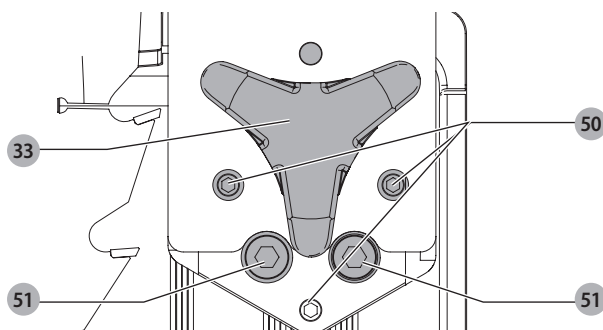
Alineación de la guía en posición 2

1. Para alinear los pasadores posicionadores de la guía en la posición 2, asegúrese de que los pasadores de la posición 1 estén alineados, consulte **Alineación de la guía en la posición 1**.
2. Afloje los pasadores posicionadores de posición 2, luego utilizando los orificios de la llave de la hoja **21** como orientación para posicionar, alinee los pasadores (Fig. N).
3. Apriete los pasadores posicionadores (delantero y trasero).

Alineación del cuchillo separador con la hoja (Fig. O)

1. Saque la placa de garganta. Consulte la sección **Desensamblaje de la placa de garganta** bajo **Ensamblaje**.
2. Levante la hoja hasta su profundidad máxima de corte y a 0° de ángulo de bisel.
3. Localice el juego de tres tornillos pequeños **50** adyacentes a la perilla de bloqueo del cuchillo separador **33**. Estos tornillos serán utilizados para ajustar la posición del cuchillo separador.
4. Coloque un borde recto sobre el banco contra dos puntas de la hoja. El cuchillo separador no debe tocar el borde recto.
5. De ser necesario, afloje los dos tornillos de bloqueo más grandes **51**.
6. Use el juego de tornillos pequeños **50** para ajustar la posición del cuchillo separador. Coloque el borde recto sobre el lado opuesto de la hoja y repita los ajustes como sea necesario.
7. Apriete ligeramente los dos tornillos de bloqueo más grandes **51**.
8. Coloque una escuadra plana contra el cuchillo separador para verificar que el cuchillo separador está en posición vertical y alineado con la hoja.
9. De ser necesario, utilice los tornillos de ajuste para llevar el cuchillo separador a su posición vertical con la escuadra.
10. Repita el paso 4 para verificar la posición del cuchillo separador. Repita los pasos 5 a 7 si es necesario.
11. Apriete completamente los dos tornillos de bloqueo más grandes **51**.

Fig. O



Hojas de sierra

ADVERTENCIA: Los cuchillos separadores deben hacer juego con las dimensiones de la hoja de sierra, a fin de que funcionen efectivamente. Consulte la sección **Selección de placa abridora y cuchillo separador**. Use solamente hojas de 210 mm (8-1/4") de diámetro con esta sierra de banco.

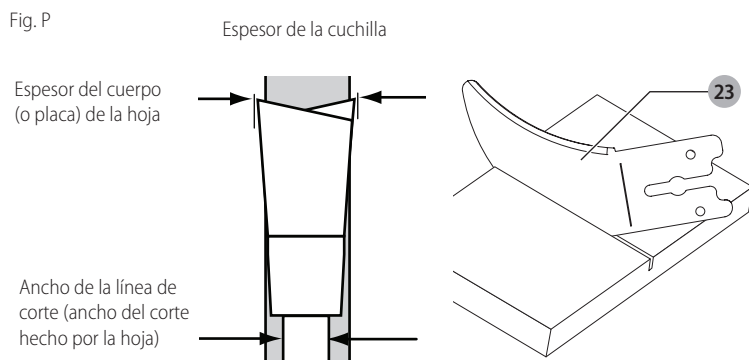
- La hoja que se suministra con su nueva sierra es una hoja de combinación de 210 mm (8-1/4") que se puede utilizar para realizar cortes transversales (el corte cruza la veta) y cortes longitudinales (el corte sigue la veta) a través del material. El orificio central que encaja en el eje es de 16 mm (5/8 de") de diámetro. Esta hoja proporcionará un corte de calidad en la mayoría de las aplicaciones.
- Existen muchos tipos de hojas disponibles para realizar trabajos específicos y especiales como cortes transversales solamente, cortes longitudinales solamente, huecos, cortes en madera contrachapada fina, paneles, etc.
- Utilice solamente hojas de sierra diseñadas para funcionar en forma segura a velocidades máximas de 6,000 RPM o mayores.
- Las hojas de sierra siempre se deben conservar afiladas. Recomendamos que cuando necesite afilar las hojas, localice un centro de afilado acreditado.
- No apile nunca las hojas unas encima de otras para almacenarlas. Coloque algún material, como por ejemplo cartón, entre ellas para evitar que las hojas estén en contacto entre sí.

ADVERTENCIA: Para reducir el riesgo de lesión, no deben utilizarse discos u hojas abrasivos (incluidos los de diamante) en esta sierra.

Selección de placa abridora y cuchillo separador (Fig. P)

ADVERTENCIA: Para minimizar el riesgo de rebote y asegurar un corte adecuado, la placa abridora y el cuchillo separador tienen que tener el grosor adecuado para la hoja utilizada. La placa abridora y el cuchillo separador suministrados con esta sierra de banco son del tamaño correcto para la hoja suministrada con la sierra.

Si se usa una hoja diferente compruebe el grosor del cuerpo (placa) de la hoja y la anchura de la línea de corte de la hoja marcada en la hoja o en el empaque de la hoja. El grosor de la placa abridora y el cuchillo separador debe ser mayor que el grosor del cuerpo y menor que la anchura del corte, como se muestra en la Figura P.



El cuchillo separador incluido con esta sierra está marcado como sigue:

CUCHILLO SEPARADOR DE 1,6 mm (0,063 pulg) DE ESPESOR. USAR SOLO CON HOJA DE 210 mm (8 ¼") CON 1,8 mm (0,71") MÍN. ANCHO DE LÍNEA DE CORTE Y 1,4 mm (0,55") MÁX. ESPESOR DE CUERPO.

Todos los espesores de cuerpo de hoja y anchos de líneas de corte de todas las hojas para sierras de banco DeWALT pueden encontrarse en www.DEWALT.com.

Si se utiliza una hoja diferente y las dimensiones del espesor de cuerpo y el ancho de línea de corte no son suministradas, utilice el siguiente procedimiento para determinar el espesor correcto del cuchillo separador:

1. Mida el espesor del cuerpo de la hoja.
2. Realice un corte poco profundo en material sobrante y mida el ancho de la línea de corte.
3. Seleccione el cuchillo separador 23.
4. Deslice el cuchillo separador a través del corte poco profundo realizado en el paso 2, para confirmar que el cuchillo separador correcto ha sido seleccionado. El cuchillo separador no debe trabarse o arrastrarse a través del corte.

ADVERTENCIA: Si se presenta algún arrastre o traba del material al momento que alcanza el cuchillo separador, apague la unidad y retire la batería. Repita los pasos 1-4 para realizar la selección correcta del cuchillo separador, antes de intentar otro corte.

Rebote

¡El rebote es una condición peligrosa! Es provocado por el trabado de la pieza de trabajo contra la hoja. El resultado es que la pieza de trabajo puede moverse rápidamente en dirección opuesta a la dirección de alimentación. Durante el rebote, la pieza de trabajo podría ser lanzada de vuelta al operador. También puede arrastrar la mano del operador hacia la hoja, si el operador está detrás de la hoja. Si ocurre un rebote, APAGUE la sierra y verifique el funcionamiento correcto del cuchillo separador, de la unidad anti-rebote y de la unidad del protector de la hoja, antes de reiniciar el trabajo.

ADVERTENCIA: Consulte la sección Reglas adicionales de seguridad para sierras de banco y siga todas las advertencias suministradas con relación al REBOTE.

UTILISATION

AVERTISSEMENT : pour réduire le risque de blessures graves, éteindre l'outil et retirer le bloc-piles avant d'effectuer tout réglage et d'enlever ou d'installer tout accessoire. Un démarrage accidentel peut provoquer des blessures.

ADVERTENCIA: Antes de utilizar la sierra, verifique lo siguiente todas y cada una de las veces:

- **SIEMPRE** utilice equipo de protección ocular, auditivo y respiratorio adecuado.
- La hoja está bien asegurada.
- Las palancas del ángulo de bisel y de bloqueo de los rieles estén bloqueadas.
- Si se está realizando un corte longitudinal, asegúrese de que la palanca de bloqueo de la guía esté bien ajustada y que la guía esté paralela a la hoja.
- Si se está realizando un corte transversal, asegúrese de que la perilla del calibrador de inglete esté bien ajustada.
- La unidad del protector de la hoja está correctamente acoplada y la unidad anti-rebote está funcionando.
- **SIEMPRE** revise la alineación apropiada, el buen funcionamiento y la holgura de la unidad del protector de la hoja y el cuchillo separador con la hoja de sierra.

- **SIEMPRE** asegúrese de que ambos protectores están en su posición baja en contacto con el banco antes de la operación.

ADVERTENCIA: Para reducir el riesgo de lesiones corporales graves, tenga el empujador a mano listo para usarse antes de empezar a cortar.

El incumplimiento con alguna de estas reglas de seguridad comunes puede incrementar enormemente la posibilidad de lesiones.

ADVERTENCIA: Antes de instalar la batería en la sierra de banco o de utilizar la sierra, inspeccione siempre la unidad del protector de la hoja y el cuchillo separador para verificar una operación, alineación y holgura adecuadas con la hoja de la sierra.

ADVERTENCIA: Los cortes longitudinales o transversales pueden provocar que la sierra se vuelque mientras se está operando. Asegúrese de que la sierra está montada firmemente a una superficie estable.

ADVERTENCIA: Jamás utilice la guía y el calibrador de inglete al mismo tiempo. Esto puede resultar en una condición de rebote y lesionar al operador.

ATENCIÓN: Si esta sierra hace un ruido desconocido o si vibra excesivamente, deje de utilizarla inmediatamente, apáguela y saque la batería hasta que se haya identificado y corregido el problema. Contacte con un centro de servicio de fábrica DeWALT, un centro de servicio autorizado DeWalt u otro personal de servicio calificado si no puede identificarse el problema.

ADVERTENCIA: La placa de garganta adecuada debe estar en su sitio en todo momento para reducir el riesgo de que una pieza de trabajo salga disparada y cause una lesión.

Hay dos tipos básicos de corte con las sierras de banco: corte longitudinal y corte transversal. Sin tener en cuenta el material, la madera natural o artificial, la distinción entre el corte longitudinal y el corte transversal es la siguiente: El corte longitudinal es un corte de una anchura diferente (normalmente al hilo) y el corte transversal o tronzado describe cortar material a través de una dimensión más corta (normalmente contra el hilo).

ADVERTENCIA: Al cortar longitudinalmente, utilice siempre la guía para proporcionar una orientación para el material y la unidad del protector de la hoja para proteger contra rebotes.

ADVERTENCIA: No realice nunca ninguna operación de corte a mano alzada. No realice nunca cortes de inmersión.

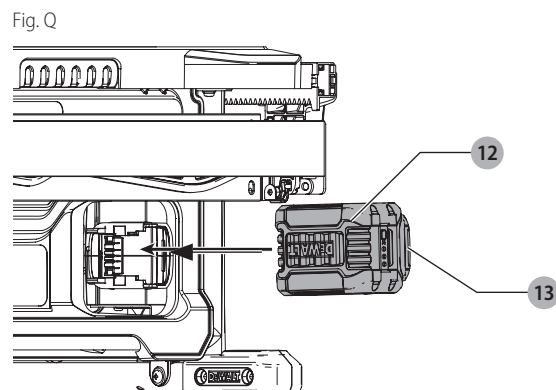
ADVERTENCIA: Cuando corte transversalmente, utilice siempre el calibrador de inglete. Jamás utilice la guía para cortes longitudinales y el calibrador de inglete al mismo tiempo.

Instalación y extracción de la batería (Fig. Q)

NOTA: Para obtener los mejores resultados, compruebe que la batería esté totalmente cargada.

Para instalar la batería 12 en la herramienta, alinee la batería con los rieles dentro de la herramienta y deslícela hasta que esté firmemente insertada y asegúrese de que no se salga.

Para sacar la batería de la herramienta, apriete el botón de liberación 13 y saque la batería de la herramienta jalándola firmemente hacia afuera. Insértela en el cargador tal como se describe en la sección del cargador de este manual.



Funcionamiento del interruptor de encendido/apagado (Fig. R)

ADVERTENCIA: Para reducir el riesgo de lesión, asegúrese de que el interruptor esté en posición de apagado (OFF) antes de instalar la batería.

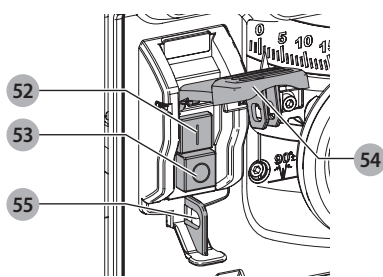
Levante la paleta roja y apriete el botón verde 52 para encender la sierra.

Empuje el botón rojo 53 o empuje la paleta roja 54 para apagar la sierra.

Bloqueo de la sierra

El interruptor de encendido/apagado puede bloquearse para impedir una operación no autorizada de la sierra. Para bloquear el interruptor en la posición de apagado (Off), introduzca un candado a través del mango rojo y el orificio 54 para bloquear la sierra en apagado. El candado no debe exceder un diámetro máximo de 6,35 mm (1/4 de").

Fig. R



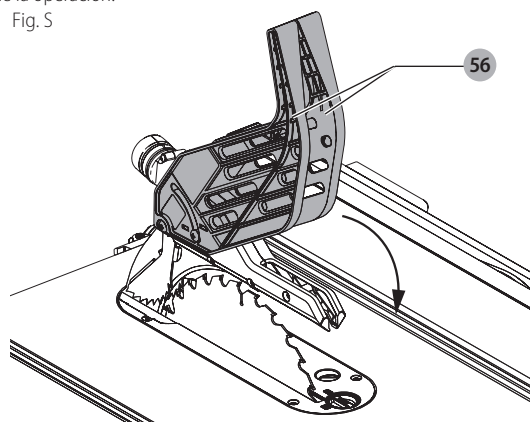
Función de operación del protector (Fig. S)

⚠ ADVERTENCIA: Para disminuir el riesgo de lesiones corporales graves, apague la herramienta y extraiga la batería antes de realizar cualquier ajuste o de quitar o instalar accesorios. La puesta en marcha accidental puede causar lesiones.

1. Los brazos del protector **56** se bloquearán en su sitio cuando estén en la posición elevada.
2. Esta función incrementa la visibilidad cuando se está midiendo la distancia entre la hoja y la guía.
3. Empuje hacia abajo el protector o protectores y estos cambiarán a la posición de operación.

NOTA: Jale la unidad anti-rebote para asegurarse de que se haya bloqueado en su sitio. **SIEMPRE** asegúrese de que ambos protectores están en su posición baja en contacto con el banco antes de la operación.

Fig. S



Funcionamiento de la guía para cortes longitudinales (Fig. A, T)

Palanca de bloqueo del riel (Fig. A)

La palanca de bloqueo del riel **55** bloquea la guía en su sitio evitando el movimiento durante el corte. **Para bloquear la palanca del riel**, empújela hacia abajo y hacia la parte trasera de la sierra. **Para desbloquearla**, jálela hacia arriba y hacia la parte delantera de la sierra.

⚠ ADVERTENCIA: Cuando aserre a lo largo, bloquee siempre la palanca de bloqueo del riel.

Extensión de apoyo para la pieza de trabajo/ Guía estrecha para cortes longitudinales (Fig. T)

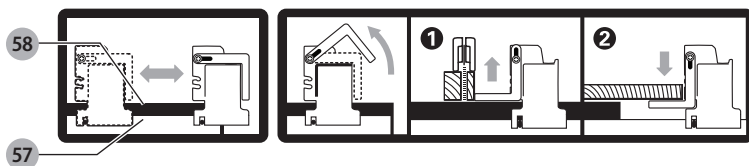
La sierra de banco está equipada con una guía estrecha para cortes longitudinales que también apoya las piezas de trabajo que sobresalen del banco de la sierra.

Para usar la guía estrecha para cortes longitudinales en la posición de apoyo de la pieza de trabajo, gírela de su posición de almacenamiento como se muestra en la Figura T, y deslice los pasadores en las ranuras inferiores **57** en ambos extremos de la guía.

Para usar la guía estrecha para cortes longitudinales en la posición de corte estrecho, encaje los pasadores en las ranuras superiores **58** en ambos extremos de la guía.

Esta función permitirá una holgura adicional de 51 mm (2") hasta la hoja. Consulte la Figura T.

Fig. T



NOTA: Cuando no esté utilizándose, la guía estrecha para cortes longitudinales debe colocarse en su posición de almacenamiento.

NOTA: Esta guía permitirá al protector permanecer en la sierra cuando se realicen cortes longitudinales estrechos. La guía proporcionará espacio suficiente para un empujador.

Pomo de ajuste (Fig. 31)

El pomo de ajuste **4** permite ajustes más pequeños al fijar la guía. Antes de realizar el ajuste, compruebe que la palanca de bloqueo del riel esté en posición hacia arriba o de desbloqueo.

Indicador de escala para cortes longitudinales

El indicador de escala para cortes longitudinales tendrá que ajustarse para el buen funcionamiento de la guía para cortes longitudinales si el usuario cambia entre las hojas de corte gruesas y finas. El indicador de la escala para cortes longitudinales solamente marca correctamente la posición 1 (de 0 a 24"), sin embargo para la posición 1 con la guía estrecha para cortes longitudinales agregue 51 mm (2") Consulte **Ajuste de la escala para cortes longitudinales** bajo **Montaje**.

Realizar cortes longitudinales (Fig. U)

⚠ ADVERTENCIA: No toque nunca el "extremo libre" de la pieza de trabajo o una "pieza libre" que esté cortada, mientras esté encendida la sierra o la hoja esté girando. La pieza puede tocar la hoja y provocar que la pieza de trabajo salga disparada y que se produzca una lesión.

⚠ ADVERTENCIA: Debe usarse **SIEMPRE** una guía para cortes longitudinales para operaciones de cortes longitudinales a fin de evitar la pérdida de control y las lesiones corporales. No realice **NUNCA** una operación de corte longitudinal a mano alzada. Bloquee **SIEMPRE** la guía en el riel.

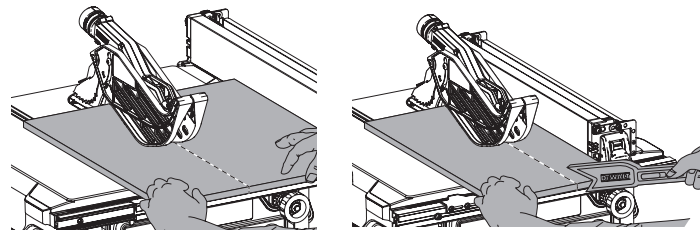
⚠ ADVERTENCIA: Cuando se hagan cortes longitudinales biselados y siempre que sea posible, coloque la guía a un lado de la hoja para que esta esté inclinada alejada de la guía y de las manos.

⚠ ADVERTENCIA: Mantenga las manos lejos de la hoja.

⚠ ADVERTENCIA: Utilice un empujador para alimentar la pieza de trabajo si hay entre de 51 a 152 mm (2 y 6") entre la guía y la hoja. Use la guía estrecha para cortes longitudinales y use el empujador para alimentar la pieza de trabajo si hay un espacio de 51 mm (2") o más estrecho entre la guía y la hoja.

1. Bloquee la guía presionando hacia abajo la palanca de bloqueo del riel. Retire la escuadra de inglete.
2. Levante la hoja hasta 3,2 mm (1/8") por encima de la parte superior de la pieza de trabajo.
3. Sujete la pieza de trabajo en posición plana sobre la banco y contra la guía. Mantenga la pieza de trabajo a 25,4 mm (1") aproximadamente de la hoja.

Fig. U



⚠ ADVERTENCIA: La pieza de trabajo debe tener un borde recto contra la guía y no debe estar deformada, torcida o doblada. Mantenga ambas manos alejadas de la hoja y del paso de la hoja. Ver la posición apropiada de las manos en la Figura U.

4. Encienda la sierra y permita que la hoja adquiera velocidad. Ambas manos pueden utilizarse para iniciar el corte. Cuando queden aproximadamente 305 mm (12") restantes para ser ranurados, utilice solamente una mano, con su dedo pulgar empujando el material, su dedo índice y medio sujetando el material hacia abajo y sus otros dedos sujetando la guía. Siempre mantenga su pulgar al lado de sus dos primeros dedos y cerca de la guía.
5. Manteniendo la pieza de trabajo contra el banco y la guía, lentamente empuje la pieza de trabajo hacia atrás hasta que pase a través de la hoja de la sierra. Continúe empujando la pieza de trabajo hasta que se aleje de la unidad del protector de la hoja y caiga a la parte posterior del banco. No sobrecargue el motor.
6. Jamás intente traer de vuelta la pieza de trabajo con la hoja girando. Apague la máquina, permita que la hoja se detenga, levante los dientes anti-rebote en cada lado del cuchillo separador, de ser necesario, y deslice la pieza de trabajo hacia afuera.
7. Al aserrar una pieza larga de material o un panel, utilice siempre un soporte para la pieza de trabajo. Un caballete de aserrado, rodillos o unidad de salida proporcionan un soporte adecuado para este propósito. El soporte de la pieza de trabajo debe estar a la misma altura o ligeramente por debajo del banco de aserrar.

⚠ ADVERTENCIA: No empuje nunca ni sujete el extremo libre o cortado de la pieza de trabajo si está entre la hoja y la guía.

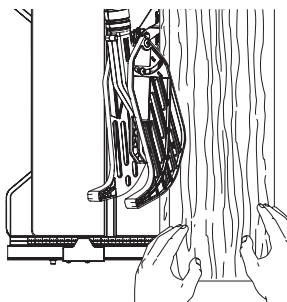
Corte longitudinal de piezas pequeñas

No es seguro cortar a lo largo piezas pequeñas. No es seguro poner las manos cerca de la hoja. En cambio, puede cortar una pieza más grande para obtener la pieza del tamaño deseado. Cuando debe cortarse una pieza de poca anchura y no puede ponerse la mano sin riesgo entre la hoja y la guía para cortes longitudinales, utilice uno o más empujadores. Se incluye un patrón al final de este manual para hacer empujadores. Se incluye un empujador **22** con esta sierra, fijado a la guía para cortes longitudinales. Utilice el empujador o empujadores para sujetar la pieza de trabajo contra el banco y la guía y empuje la pieza de trabajo completamente más allá de la hoja. La función de guía estrecha para cortes longitudinales en la sierra de banco puede utilizarse para algunos cortes longitudinales estrechos. Puede usar también una guía estrecha auxiliar para cortes longitudinales. En la parte de atrás del manual se proporcionan instrucciones para hacer una guía auxiliar.

Corte longitudinal biselado

Esta operación es la misma que el corte longitudinal excepto que el ángulo de bisel está fijado en un ángulo que no es cero grados. Para una posición adecuada de las manos consulte la figura V.

Fig. V



ADVERTENCIA: Antes de instalar la batería o de utilizar la sierra, inspeccione siempre la unidad del protector de la hoja y el cuchillo separador para verificar una alineación y holgura adecuadas con la hoja de la sierra. Compruebe la alineación después de cada cambio del ángulo de bisel.

Cortes transversales (Fig. V)

ADVERTENCIA: NUNCA use la guía para cortes longitudinales en combinación con el calibrador de inglete.

ADVERTENCIA: NUNCA toque el "extremo libre" de la pieza de trabajo o una «pieza libre» que esté cortada, mientras esté encendida la sierra y/o la hoja esté girando. La pieza puede tocar la hoja y provocar que la pieza de trabajo salga disparada y que se produzca una lesión.

ADVERTENCIA: Para reducir el riesgo de lesiones, JAMÁS utilice la guía como un tope de longitud cuando realice cortes transversales.

ADVERTENCIA: JAMÁS utilice un tope de longitud en el extremo libre de la pieza de trabajo cuando realice cortes transversales. En pocas palabras, la pieza cortada no debe, en ninguna operación de corte con traspaso (corte completo a través de la pieza de trabajo) ser confinada – se le debe permitir alejarse de la hoja de la sierra para evitar el contacto con la hoja que puede resultar en una pieza de trabajo lanzada y posibles lesiones.

ADVERTENCIA: Use cautela cuando inicie el corte para prevenir trabado de la unidad del protector de la hoja contra la pieza de trabajo, resultando en daño para la sierra y posibles lesiones.

ADVERTENCIA: Cuando se utilice un bloque como calibrador de corte, el bloque debe ser de al menos 19 mm (3/4 de») de grueso y es muy importante que el extremo posterior del bloque esté posicionado de tal forma que la pieza de trabajo se libere del bloque antes de que entre en contacto con la hoja, para prevenir el contacto con la hoja que puede resultar en una pieza de trabajo lanzada y posibles lesiones.

1. Retire la guía para cortes longitudinales y coloque el calibre de inglete en la ranura deseada.
2. Ajuste la altura de la hoja de tal forma que la hoja quede a 3,2 mm (1/8") por encima de la parte superior de la pieza de trabajo.
3. Sujete firmemente la pieza de trabajo contra el calibrador de inglete 10 con el paso de la hoja en línea con el lugar de corte deseado. Mantenga la pieza de trabajo a una pulgada o a un poco más del frente de la hoja. MANTENGA AMBAS MANOS ALEJADAS DE LA HOJA Y DEL PASO DE LA HOJA (Fig. V).
4. Arranque el motor de la sierra y permita que la hoja adquiera velocidad.
5. Mientras utilice ambas manos para mantener la pieza de trabajo contra la parte delantera del calibrador de inglete y sujete la pieza de trabajo en posición plana contra el banco, empuje lentamente la pieza de trabajo a través de la hoja.
6. Jamás intente traer de vuelta la pieza de trabajo con la hoja girando. Apague la máquina, permita que la hoja se detenga y cuidadosamente deslice la pieza de trabajo hacia afuera.

ADVERTENCIA: Jamás toque o sostenga el extremo libre o cortado de la pieza de trabajo.

Cortes transversales en bisel

Esta operación es la misma que la de corte transversal, excepto que el bisel se configura en un ángulo distinto de 0°.

ADVERTENCIA: Antes de conectar, instalar la batería o utilizar la sierra, inspeccione siempre la unidad del protector de la hoja y el cuchillo separador para verificar una alineación y holgura adecuadas con la hoja de la sierra. Compruebe la alineación después de cada cambio del ángulo de bisel.

Cortes a inglete (Fig. W)

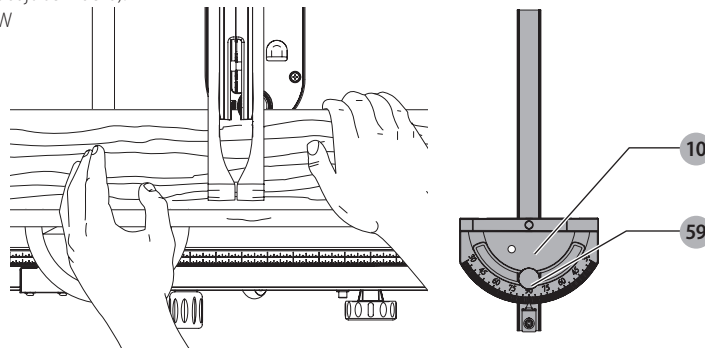
ADVERTENCIA: Los ángulos de inglete mayores a 45° pueden forzar la unidad del protector de la hoja hacia la hoja de la sierra, resultando en daños para la unidad del protector de la hoja y lesiones corporales. Antes de encender el motor, pruebe la operación de la máquina alimentando una pieza de trabajo hacia la unidad del protector de la hoja. Si la unidad del protector de la hoja hace contacto con la hoja, coloque la pieza de trabajo debajo de la unidad del protector de la hoja antes de encender el motor y sin tocar la hoja.

ADVERTENCIA: Ciertas formas de piezas de trabajo, tales como molduras, pueden no levantar apropiadamente la unidad del protector de la hoja. Alimente la pieza de trabajo

lentamente para iniciar el corte. Si la unidad del protector de la hoja hace contacto con la hoja, coloque la pieza de trabajo debajo de la unidad del protector de la hoja antes de encender el motor y sin tocar la hoja.

Esta operación es la misma que la de corte transversal, excepto que el calibrador de inglete se bloquea en un ángulo distinto de 0°. Sujete FIRMEMENTE la pieza de trabajo contra el calibrador de inglete 10 y empuje la pieza de trabajo lentamente hacia la hoja (para impedir que la pieza de trabajo se mueva).

Fig. W



Funcionamiento del calibrador de inglete

Para fijar su calibrador de inglete.

1. Afloje la perilla de bloqueo del calibrador de inglete 59.
2. Mueva el calibrador de inglete hasta alcanzar el ángulo deseado.
3. Apriete la perilla de bloqueo del calibrador de inglete.

Cortes a inglete compuestos

Es una combinación de cortes a inglete y cortes transversales en bisel. Siga las instrucciones para los cortes transversales en bisel y los cortes a inglete.

Recolección de polvo (Fig. X)

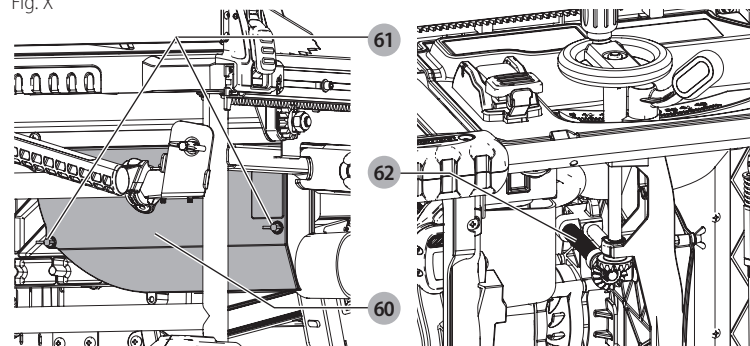
Esta sierra de banco está equipada con una cubierta protectora de polvo y un orificio para recolección de polvo. Para obtener los mejores resultados, conecte una aspiradora al orificio en la parte trasera de la sierra y en el protector utilizando un conector Y. El conector Y está disponible como accesorio por un costo adicional. Consulte la sección **Accesorios**.

AVISO: Debe tenerse cuidado al colocar las mangueras de manera que no obstaculicen la operación de corte.

ADVERTENCIA: Para evitar una puesta en marcha accidental, retire la batería de la sierra antes de limpiar el sistema de recolección de polvo.

1. Ponga la sierra de costado, de forma que la parte de abajo abierta del aparato esté accesible.
2. Para abrir la puerta de acceso al colector 60 que se muestra, retire los dos tornillos de mariposa 61 y retire la puerta. Limpie el exceso de polvo y vuelva a asegurar la puerta de acceso con los tornillos mariposa.

Fig. X



Conmutador de reposicionamiento de sobrecarga del motor y pérdida de potencia

Si se interrumpe la alimentación porque una batería está gastada o hay una corte de corriente, la sierra tiene una función de conmutador de reposicionamiento por pérdida de potencia que automáticamente se reposicionará a la posición de apagado.

Una vida útil corta de la batería con frecuencia es el resultado de una hoja roma. Cambie la hoja regularmente para aumentar la vida útil de la batería.

Lubricación (Fig. X)

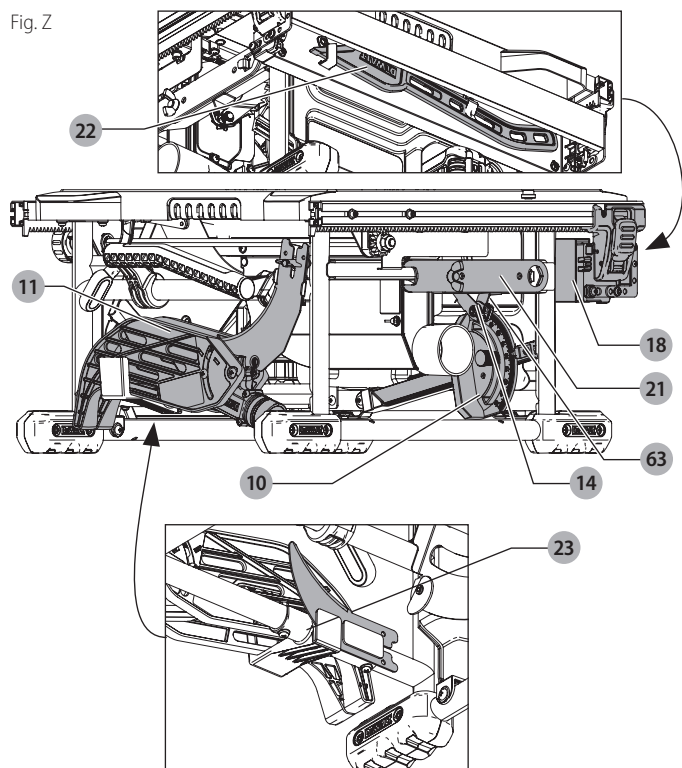
1. Todos los cojinetes del motor están lubricados permanentemente en la fábrica y no es necesaria ninguna lubricación adicional.
2. El tornillo de ajuste de altura puede necesitar limpieza y lubricación periódicas. Si tiene problemas para levantar o bajar la hoja:
 - a. Saque la batería de la sierra.
 - b. Ponga la sierra de costado, de forma que la parte de abajo abierta del aparato esté accesible.

c. Limpie y lubrique las roscas del tornillo de ajuste de altura **62** en la parte de abajo de la sierra con grasa para uso general. Consulte la Figura X.

ALMACENAMIENTO (FIG. Z)

1. Fije el empujador **22** a la guía.
2. Presione sobre el vástago en la unidad anti-rebote **14** para permitir que la unidad se deslice de la ranura del cuchillo separador.
3. Coloque la unidad anti-rebote en la posición de almacenamiento como se muestra. Mientras presiona el vástago deslice la unidad anti-rebote a través del soporte de almacenamiento **63** y libere la clavija para que encaje en su sitio.
4. Retire la unidad del protector de la hoja **11**. Consulte la sección *Instalación/retiro de la unidad del protector de la hoja y el cuchillo separador*. Coloque la unidad del protector de la hoja en el sujetador como se muestra, luego gire la perilla de bloqueo 1/4 de vuelta para bloquearla en su sitio.
5. Deslice el extremo cerrado de las llaves de la hoja **21** en la retención, luego fíjelo en su sitio con una tuerca de mariposa.
6. Inserte la barra de guía del calibrador de inglete **10** en la cavidad hasta que llegue al fondo.
7. El cuchillo separador para cortes sin traspaso **23** se desliza en su sitio en la parte trasera del gancho de almacenamiento del protector.
8. Para guardar la guía **18**, encaje el soporte para la pieza de trabajo en la posición de almacenamiento. Saque la guía de los rieles. Vuelva a instalar la guía al revés en el lado izquierdo de la sierra. Gire los seguros de bloqueo de la guía para fijarla.

Fig. Z



Construcción de accesorio para métodos de operación alternativos

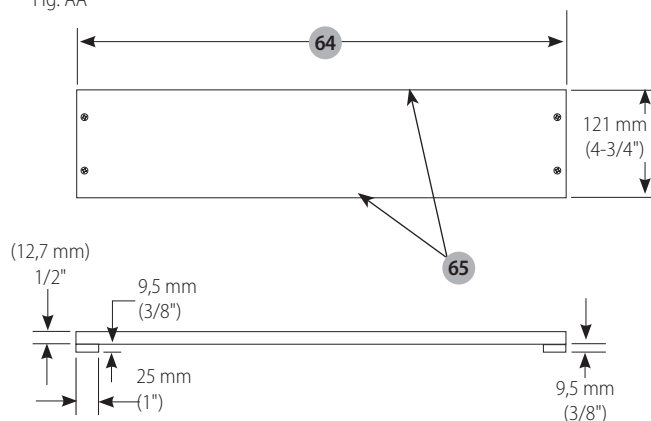
Montaje de la guía estrecha auxiliar para cortes longitudinales (Fig. AA, CC)

La guía estrecha auxiliar para cortes longitudinales debe usarse para cortes de 51 mm (2") o más estrechos. Esta guía permitirá al protector permanecer en la sierra cuando se realicen cortes longitudinales estrechos. Esta guía proporcionará espacio suficiente para el uso adecuado de un bloque de empuje (**66**, véase **Bloque de empuje**).

1. Siga el diagrama en la Fig. AA para construir la guía estrecha auxiliar para cortes longitudinales **69**.

NOTA: La longitud debe cortarse para ajustarse a la longitud **64** del banco de aserrar y los lados **65** deben estar paralelos.

Fig. AA



2. Luego de construir la guía auxiliar para cortes delgados, deslícela sobre la parte superior de la banco de la sierra y colóquela nivelada con la guía como lo muestra la Figure CC.
3. Alimente la pieza de trabajo hasta que el borde del material alcance el borde frontal de la parte superior de la banco de la sierra.
4. Continúe alimentando el material utilizando un bloque de empuje **66** hasta completar el corte.

Bloque de Empuje (Fig. BB, CC)

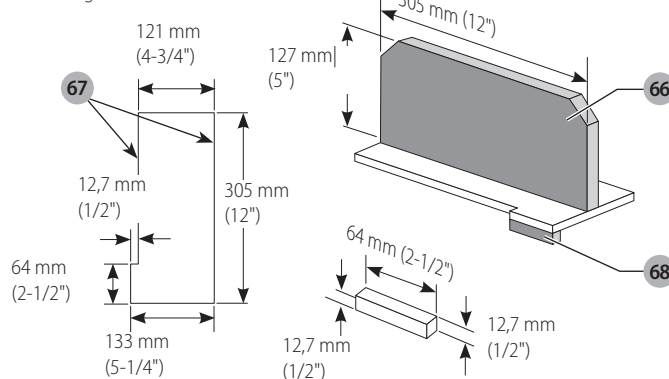
IMPORTANTE: Utilice el bloque de empuje **66** únicamente con la guía auxiliar para cortes delgados, ver *Guía Auxiliar Para Cortes Delgados*. El bloque de empuje debe utilizarse una vez que el material siendo cortado alcanza la parte superior de la banco de la sierra.

1. Construya un bloque de empuje utilizando el diagrama en la Figure BB.

NOTA: Los bordes **67** deben estar paralelos.

IMPORTANTE: El borde que sobresale **68**, Fig. BB) DEBE ser escuadra. Un borde desnivelado puede provocar que el bloque de empuje resbale o empuje el material lejos de la guía.

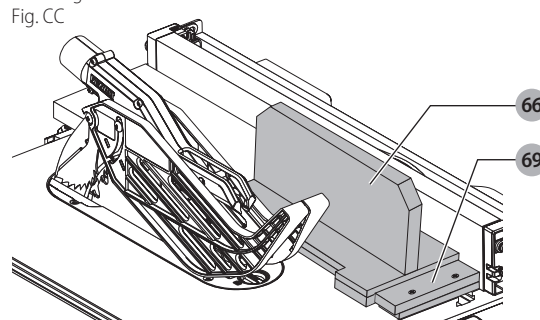
Fig. BB



2. Coloque el bloque de empuje **66**, Fig. CC) detrás del material para asegurar que el borde del bloque esta nivelado con la guía auxiliar para cortes delgados **69**.
3. Una vez que el bloque de empuje este en posición, continúe alimentando el material hasta que se complete el corte, asegurándose que el bloque de empuje permanece nivelado con la guía auxiliar para cortes delgados en todo momento.

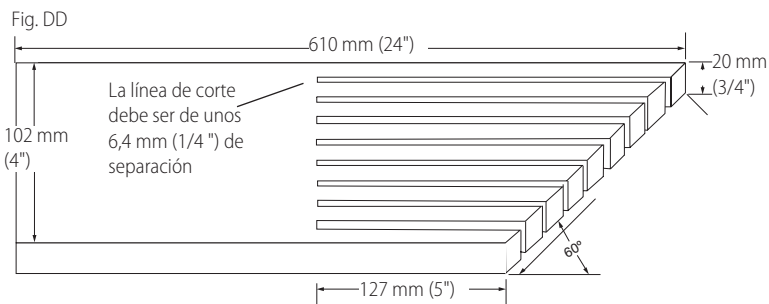
IMPORTANTE: La guía auxiliar para cortes delgados y el borde que sobresale (**68**, Fig. BB) deben ambos ser del mismo grosor

Fig. CC

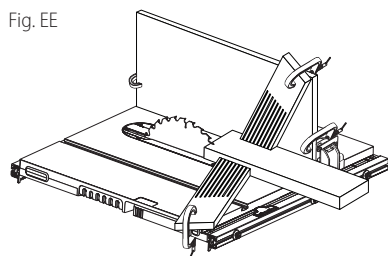


Construcción de Tabla con canto biselado (Fig. DD, EE)

Las tablas con cantos biselados se utilizan para mantener el trabajo en contacto con la guía y al banco y ayudar a prevenir los rebotes. Las dimensiones para construir una tabla con canto biselado típica se muestran en la Fig. DD. Construya la tabla con canto biselado de una pieza entera de madera que esté libre de nudos y agrietamientos. Fije la tabla con canto biselado a la guía y banco de tal manera que el borde punta de la tabla con canto biselado soporte la pieza de trabajo hasta que el corte se complete (Fig. EE). Una tabla plana de 203 mm (8 pulg.) puede ser fijada a la guía y la tabla con canto biselado puede fijarse a la tabla de 203 mm (8").



⚠ ADVERTENCIA: Utilice las tablas con cantos biselados para todas las operaciones de serrchado no tangencial en las cuales el ensamble protector de la hoja, el ensamble anti-rebote y la cuchilla no puedan ser usados. **Siempre cambie el ensamble protector de la hoja, el ensamble anti-rebote y la cuchilla cuando la operación de serrchado no tangencial se complete.** Asegúrese que la tabla con canto biselado presione solo sobre la porción de la pieza de trabajo que esta frente a la hoja.



MANTENIMIENTO

⚠ ADVERTENCIA: Para reducir el riesgo de lesiones personales graves, apague la herramienta y retire el paquete de baterías antes de realizar ajustes o de retirar/instalar dispositivos o accesorios. Un arranque accidental podría causar lesiones.

Limpieza

⚠ ADVERTENCIA: Sople la suciedad y el polvo de todos los conductos de ventilación con aire seco, al menos una vez por semana. Para reducir el riesgo de lesiones, utilice siempre protección para los ojos aprobada ANSI Z87.1 al realizar esta tarea.

⚠ ADVERTENCIA: Nunca utilice solventes ni otros químicos abrasivos para limpiar las piezas no metálicas de la herramienta. Estos productos químicos pueden debilitar los materiales plásticos utilizados en estas piezas. Utilice un paño humedecido sólo con agua y jabón neutro. Nunca permita que penetre líquido dentro de la herramienta ni sumerja ninguna de las piezas en un líquido.

Accesorios

⚠ ADVERTENCIA: Debido a que no se han probado con este producto otros accesorios que no sean los que ofrece DeWALT, el uso de dichos accesorios con esta herramienta podría ser peligroso. Para reducir el riesgo de lesiones, con este producto deben usarse sólo los accesorios recomendados por DeWALT.

Los accesorios que se recomiendan para utilizar con la herramienta están disponibles a un costo adicional en su distribuidor local o en un centro de mantenimiento autorizado. Si necesita ayuda para localizar algún accesorio, póngase en contacto con DeWALT Industrial Tool Co., 701 East Joppa Road, Towson, MD 21286, llame al 1-800-4-DeWALT (1-800-433-9258) o visite nuestro sitio web: www.dewalt.com.

- Soportes compatibles (DWE74911)
- Escala métrica para cortes longitudinales (N458905)
- Conector en Y de extracción de polvo (contacte con su distribuidor local)

Reparaciones

El cargador y las unidades de batería no pueden ser reparados.

⚠ ADVERTENCIA: Para asegurar la SEGURIDAD y la CONFIABILIDAD del producto, las reparaciones, el mantenimiento y los ajustes deben (inclusive inspección y cambio de carbones) ser realizados en un centro de mantenimiento en la fábrica DeWALT u en un centro de mantenimiento autorizado DeWALT. Utilice siempre piezas de repuesto idénticas.

Para reparación y servicio de sus herramientas eléctricas, favor de dirigirse al Centro de Servicio más cercano

CULIACAN, SIN

Bldv.Emiliano Zapata 5400-1 Poniente Col. San Rafael (667) 717 89 99

GUADALAJARA, JAL

Av. La Paz #1779 - Col. Americana Sector Juárez (33) 3825 6978

MEXICO, D.F.

Eje Central Lázaro Cárdenas No. 18 - Local D, Col. Obrera (55) 5588 9377

MERIDA, YUC

Calle 63 #459-A - Col. Centro

(999) 928 5038

MONTERREY, N.L.

Av. Francisco I. Madero 831 Poniente - Col. Centro

(818) 375 23 13

PUEBLA, PUE

17 Norte #205 - Col. Centro

(222) 246 3714

QUERETARO, QRO

Av. San Roque 274 - Col. San Gregorio

(442) 2 17 63 14

SAN LUIS POTOSI, SLP

Av. Universidad 1525 - Col. San Luis

(444) 814 2383

TORREON, COAH

Bldv. Independencia, 96 Pte. - Col. Centro

(871) 716 5265

VERACRUZ, VER

Prolongación Díaz Mirón #4280 - Col. Remes

(229) 921 7016

VILLAHERMOSA, TAB

Constitución 516-A - Col. Centro

(993) 312 5111

PARA OTRAS LOCALIDADES:

Si se encuentra en México, por favor llame al (55) 5326 7100

Si se encuentra en U.S., por favor llame al 1-800-433-9258 (1-800 4-DeWALT)

Póliza de Garantía

IDENTIFICACIÓN DEL PRODUCTO:

Sello o firma del Distribuidor.

Nombre del producto: _____

Mod./Cat.: _____

Marca: _____

Núm. de serie: _____

(Datos para ser llenados por el distribuidor)

Fecha de compra y/o entrega del producto: _____

Nombre y domicilio del distribuidor donde se adquirió el producto: _____

Este producto está garantizado por un año a partir de la fecha de entrega, contra cualquier defecto en su funcionamiento, así como en materiales y mano de obra empleados para su fabricación. Nuestra garantía incluye la reparación o reposición del producto y/o componentes sin cargo alguno para el cliente, incluyendo mano de obra, así como los gastos de transportación razonablemente erogados derivados del cumplimiento de este certificado.

Para hacer efectiva esta garantía deberá presentar su herramienta y esta póliza sellada por el establecimiento comercial donde se adquirió el producto, de no contar con ésta, bastará la factura de compra.

Excepciones

Esta garantía no será válida en los siguientes casos:

- Cuando el producto se hubiese utilizado en condiciones distintas a las normales;
- Cuando el producto no hubiese sido operado de acuerdo con el instructivo de uso que se acompaña;
- Cuando el producto hubiese sido alterado o reparado por personas distintas a las enlistadas al final de este certificado.

Anexo encontrará una relación de sucursales de servicio de fábrica, centros de servicio autorizados y franquiciados en la República Mexicana, donde podrá hacer efectiva su garantía y adquirir partes, refacciones y accesorios originales.

Registro en línea

Gracias por su compra. Registre su producto ahora para:

- **SERVICIO EN GARANTÍA:** Si completa esta tarjeta, podrá obtener un servicio en garantía más eficiente, en caso de que exista un problema con su producto.
- **CONFIRMACIÓN DE PROPIEDAD:** En caso de una pérdida que cubra el seguro, como un incendio, una inundación o un robo, el registro de propiedad servirá como comprobante de compra.
- **PARA SU SEGURIDAD:** Si registra el producto, podremos comunicarnos con usted en el caso improbable que se deba enviar una notificación de seguridad conforme a la Federal Consumer Safety Act (Ley Federal de Seguridad de Productos para el Consumidor).

Registro en línea en www.dewalt.com/register.

Garantía limitada por tres años

DeWALT reparará, sin cargo, cualquier falla que surja de defectos en el material o la fabricación del producto, por hasta tres años a contar de la fecha de compra. Esta garantía no cubre fallas de las piezas causadas por su desgaste normal o abuso a la herramienta. Para mayores detalles sobre la cobertura de la garantía e información acerca de reparaciones realizadas bajo garantía, visítenos en

www.dewalt.com o diríjase al centro de servicio más cercano. Esta garantía no aplica a accesorios o a daños causados por reparaciones realizadas o intentadas por terceros. Esta garantía le otorga derechos legales específicos, además de los cuales puede tener otros dependiendo del estado o la provincia en que se encuentre.

Además de la garantía, las herramientas DeWALT están cubiertas por:

1 AÑO DE SERVICIO GRATUITO

DeWALT mantendrá la herramienta y reemplazará las piezas gastadas por su uso normal, sin cobro, en cualquier momento durante un año a contar de la fecha de compra. Los artículos gastados por la clavadora, tales como la unidad de hoja y retorno del impulsador, no están cubiertas.

2 AÑOS DE SERVICIO GRATUITO PARA UNIDADES DE ALIMENTACIÓN DEWALT

DC9071, DC9091, DC9096, DC9280, DC9360, DC9180, DCB120, DCB127, DCB201, DCB203, DCB203BT, DCB207

3 AÑOS DE SERVICIO GRATUITO PARA UNIDADES DE ALIMENTACIÓN DEWALT

DCB200, DCB204, DCB204BT, DCB205, DCB606

NOTA: La garantía del producto quedará nula si la unidad de batería ha sido alterada de cualquier manera. DeWALT no es responsable de ninguna lesión causada por alteraciones y podría iniciar un procedimiento judicial por fraude de garantía hasta el máximo grado permisible por la ley.

GARANTÍA DE REEMBOLSO DE SU DINERO POR 90 DÍAS

Si no está completamente satisfecho con el desempeño de su máquina herramienta, láser o clavadora DeWALT, cualquiera sea el motivo, podrá devolverlo hasta 90 días de la fecha de compra con su recibo y obtener el reembolso completo de su dinero – sin necesidad de responder a ninguna pregunta.

AMÉRICA LATINA: Esta garantía no se aplica a los productos que se venden en América Latina. Para los productos que se venden en América Latina, debe consultar la información de la garantía específica del país que viene en el empaque, llamar a la compañía local o visitar el sitio Web a fin de obtener esa información.

REEMPLAZO GRATUITO DE LAS ETIQUETAS DE ADVERTENCIAS: Si sus etiquetas de advertencia se vuelven ilegibles o faltan, llame al 1-800-433-9258 (1-800-4-DeWALT) para que se le reemplacen gratuitamente.

ESPECIFICACIONES

DCS7485

60 V Máx*

5800 rpm

Solamente para propósito de México:

Importado por: DeWALT Industrial Tool Co. S.A. de C.V.

Avenida Antonio Dovali Jaime, # 70 Torre B Piso 9

Colonia La Fe, Santa Fé

Código Postal : 01210

Delegación Alvaro Obregón

México D.F.

Tel. (52) 555-326-7100


R.F.C.: BDE810626-1W7

DCS7485 **CORDLESS TABLE SAW**

DANGER NEVER PLACE YOUR HANDS IN THE VICINITY OR IN LINE WITH THE SAW BLADE.

WARNING TO REDUCE THE RISK OF INJURY, USER MUST READ INSTRUCTION MANUAL BEFORE OPERATING SAW. WEAR EYE PROTECTION. ALWAYS USE PROPERLY FUNCTIONING SAW-BLADE GUARD, RIVING KNIFE AND ANTI-KICKBACK DEVICE FOR EVERY OPERATION FOR WHICH IT CAN BE USED, INCLUDING ALL THROUGH SAWING. USE A PUSH-STICK OR PUSH-BLOCK WHEN REQUIRED. DO NOT PERFORM ANY OPERATION FREEHAND. SUPPORT WORK WITH TABLE, AND FENCE OR MITER GAGE – NEVER BOTH TOGETHER. DO NOT PLUNGE CUT. PAY PARTICULAR ATTENTION TO INSTRUCTIONS ON REDUCING RISK OF KICKBACK. NEVER REACH AROUND OR OVER SAW BLADE. TURN OFF TOOL AND WAIT FOR SAW BLADE TO STOP BEFORE MOVING WORKPIECE OR CHANGING SETTINGS. NEVER STAND DIRECTLY IN LINE WITH THE SAW BLADE. ALWAYS POSITION YOUR BODY ON THE SAME SIDE OF THE SAW BLADE AS THE FENCE. ALWAYS USE PROPER HEARING AND RESPIRATORY PROTECTION. USE WITH DEWALT 60V BATTERIES. SER.

DEWALT INDUSTRIAL TOOL CO. TOWSON, MD 21286 U.S.A.
FOR SERVICE INFORMATION, CALL 1-800-4-DEWALT www.DEWALT.com

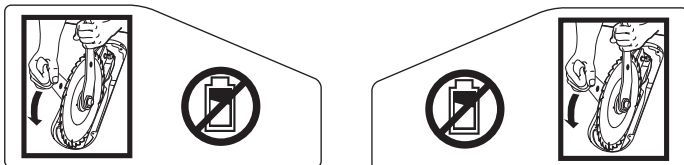


PELIGRO NUNCA PONGA SUS MANOS EN LA VICINIDAD O CONFORME A LA LÁMINA DE SIERRA.

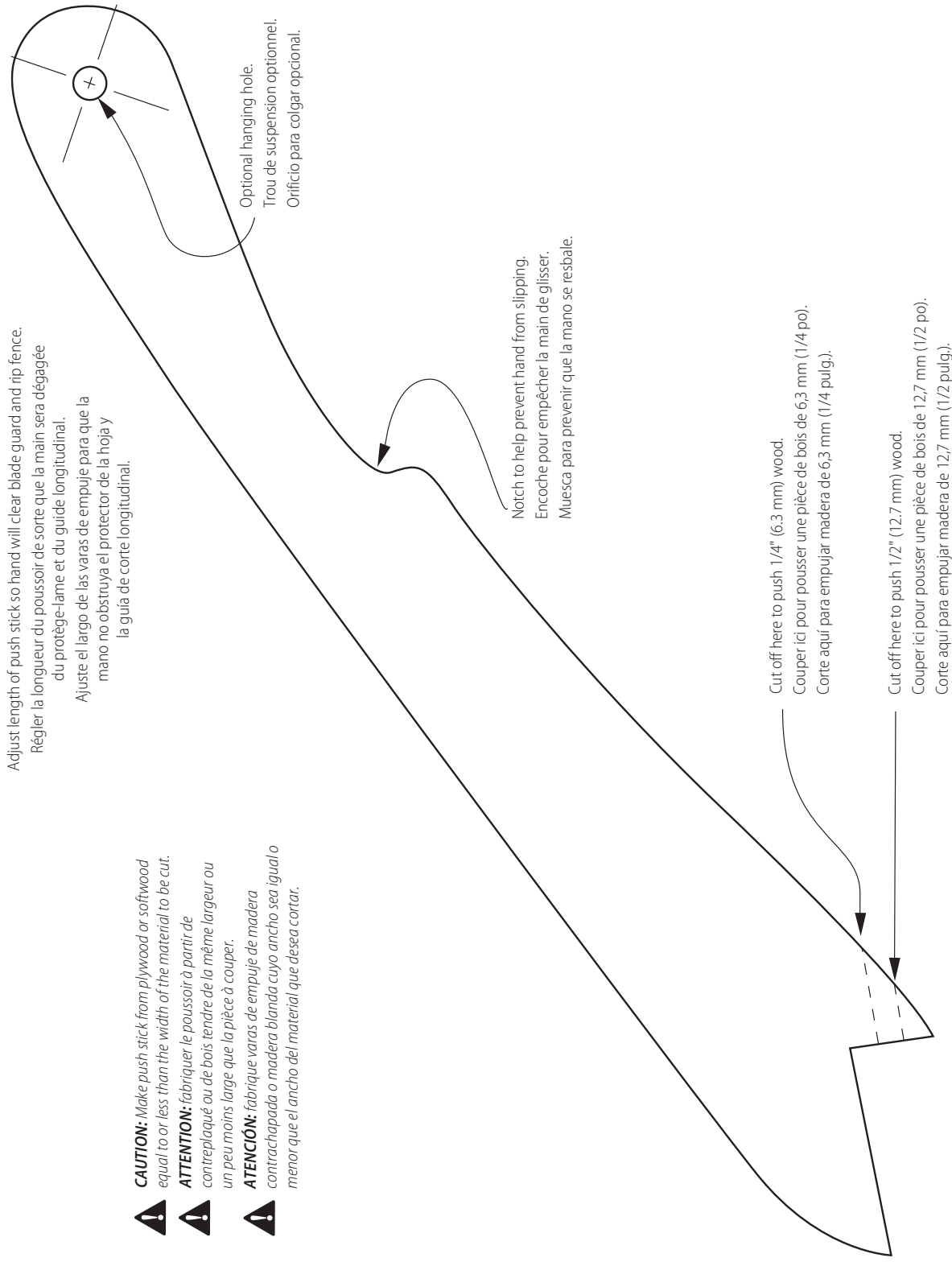
ADVERTENCIA PARA SU PROPIA SEGURIDAD. LEA DETENIDAMENTE EL MANUAL DE INSTRUCCIONES ANTES DE OPERAR LA SIERRA. USE PROTECCIÓN OCULAR. USE SIEMPRE EL PROTECTOR DE LA HOJA DE SIERRA, LA NAVAJA SEPARADORA Y EL DISPOSITIVO ANTI-REBOTE EN BUEN ESTADO PARA CADA OPERACIÓN PARA LA QUE PUEDAN UTILIZARSE, INCLUIDO EL CORTE CON TRASPASO. USE UN EMPUJADOR O BLOQUE DE PRESIÓN CUANDO SEA NECESARIO. NO REALICE NINGUNA OPERACIÓN A MANO ALZADA. APOYE LA PIEZA DE TRABAJO CON UNA MESA Y GUÍA O INDICADOR DE ÁNGULO PARA CORTES INGLETEADOS - NUNCA AMBOS JUNTOS. NO REALICE CORTES EN PICADO. PRESTE ESPECIAL ATENCIÓN A LAS INSTRUCCIONES ACERCA DE CÓMO REDUCIR EL RIESGO DE REBOTE. NO ESTIENDA NUNCA LA MANO ALREDEDOR O POR ENCIMA DE LA HOJA DE LA SIERRA. APAGUE LA HERRAMIENTA Y ESPERE A QUE LA HOJA DE LA SIERRA SE DETENGA ANTES DE MOVER LA PIEZA DE TRABAJO O DE CAMBIAR LA CONFIGURACIÓN, NO ESTÉ NUNCA PARADO EN LÍNEA RECTA CON RESPECTO A LA HOJA DE LA SIERRA. MANTENGA SIEMPRE SU CUERPO EN EL MISMO LADO DE LA HOJA DE LA SIERRA EN EL QUE SE UBICÓ EL PROTECTOR. USE SIEMPRE PROTECCIÓN AUDITIVA Y RESPIRATORIA ADECUADA. USAR CON BATERÍA DEWALT DE 60 V.

DANGER NE PLACEZ JAMAIS VOS MAINS À PROXIMITÉ OU EN CONFORMITÉ AVEC LA LAME DE SCIÈS.

AVERTISSEMENT POUR RÉDUIRE TOUT RISQUE DE DOMMAGES CORPORELS, LIRE LE GUIDE D'UTILISATION AVANT DE SE SERVIR DE LA SCIÈS. PORTER UNE PROTECTION OCULAIRE. UTILISER SYSTÉMATIQUEMENT DES DISPOSITIFS EN BON ÉTAT DE MARCHÉ : CARTER DE LAME, COUTEAU DIVISEUR ET DISPOSITIFS ANTI-REBONDS, POUR CHAQUE OPÉRATION OÙ ILS POURRONT ÊTRE UTILISÉS, Y COMPRIS TOUTES LES COUPES INTÉGRALES. UTILISER UN POUSSOIR, BLOC OU BÂTONNET, LE CAS ÉCHÉANT. NE JAMAIS UTILISER LA SCIÈS À MAIN LEVÉE. SOUTENIR LE TRAVAIL AVEC UNE TABLE ET UN GUIDE OU UN GUIDE D'ONCLET, JAMAIS LES DEUX EN MÊME TEMPS. NE FAIRE AUCUNE COUPE EN PLONGÉE. FAIRE PARTICULIÈREMENT ATTENTION AUX INSTRUCTIONS CONCERNANT LA RÉDUCTION DES RISQUES DE REBONDS. NE JAMAIS PASSER LES MAINS AUTOUR OU SUR LA LAME. ARRÊTER L'OUTIL ET ATTENDRE L'ARRÊT COMPLET DE LA LAME DE SCIÈS AVANT DE DÉPLACER LA PIÈCE, OU CHANGER LES RÉGLAGES. NE JAMAIS SE TENIR DIRECTEMENT DANS LE SILLAGE DE LA LAME. SE POSITIONNER SYSTÉMATIQUEMENT DU MÊME CÔTÉ QUE LE GUIDE DE LAME. PORTER SYSTÉMATIQUEMENT UN SYSTÈME DE PROTECTION AUDITIVE ET DES VOIES RESPIRATOIRES. À UTILISER AVEC DES BLOCS-PILES DEWALT DE 60 V.



Push Stick Pattern / Modèle de poussoir / Patrón de la vara de empuje



DeWALT BATTERY AND CHARGER SYSTEMS

Chargers/Charge Time (Minutes)
Chargeurs/Durée de charge (Minutes)
Cargadores de baterías/Tiempo de carga (Minutos)

Battery Cat #	Output Voltage	120 Volts														12 Volts	
		DC9000	DC9310	DC9320	DC8095	DCB101	DCB102	DCB103	DCB107	DCB112	DCB113	DCB114	DCB115	DCB118	DCB132	DCB119	DW0249
DCB606	60/20	X	X	X	X	X	100	100	272	170	140	X	90	60	90	X	X
DCB404	40	X	X	X	X	X	X	X	X	X	X	90	X	X	X	X	X
DCB406	40	X	X	X	X	X	X	X	X	X	X	130	X	X	X	X	X
DC9360	36	45	X	X	X	X	X	X	X	X	X	X	X	X	X	X	X
DCB361	36	45	X	X	X	X	X	X	X	X	X	X	X	X	X	X	X
DC9280	28	60	X	X	X	X	X	X	X	X	X	X	X	X	X	X	X
DW0242	24	X	X	X	X	X	X	X	X	X	X	X	X	X	X	X	60
DCB200	20	X	X	X	X	60	60	60	140	90	67	X	45	45/30**	45	90	X
DCB201	20	X	X	X	X	30	30	30	70	45	35	X	22	22	22	45	X
DCB203	20	X	X	X	X	35	35	35	90	60	45	X	30	30	30	60	X
DCB203BT*	20	X	X	X	X	35	35	35	90	60	45	X	30	30	30	60	X
DCB204	20	X	X	X	X	70	70	70	185	120	90	X	60	60/40**	60	120	X
DCB204BT*	20	X	X	X	X	70	70	70	185	120	90	X	60	60	60	120	X
DCB205	20	X	X	X	X	95	95	95	240	150	112	X	75	75/47**	75	150	X
DCB207	20	X	X	X	X	30	30	30	60	40	30	X	22	22	22	X	X
DC9182	18	X	40	40	X	X	X	40	X	X	X	X	X	X	X	X	40
DCB120	12	X	X	X	X	30	30	30	60	45	35	X	20	X	X	45	X
DCB127	12	X	X	X	X	35	35	35	90	60	50	X	30	X	X	60	X
DCB080	8	X	X	X	60	X	X	X	X	X	X	X	X	X	X	X	X

*BT - Bluetooth® **NOTE:** The Bluetooth® word mark and logos are registered trademarks owned by the Bluetooth®, SIG, Inc. and any use of such marks by DeWALT is under license. Other trademarks and trade names are those of their respective owners.

**Battery Datecode 201536 or later.

“X” Indicates that the battery pack is not compatible with that specific charger. All charge times are approximate. Actual charge time may vary. Read the instruction manual for more specific information.

“X” indique que le bloc-piles n’est pas compatible avec ce chargeur. Les durées de charge sont approximatives; la durée de charge réelle peut varier. Lire le manuel d’utilisation pour obtenir des renseignements plus précis.

Una “X” indica que el paquete de baterías no es compatible con ese determinado cargador. El tiempo de duración de carga es aproximado; la duración de carga real puede variar. Lea el manual de instrucciones para obtener información más precisa.

* Maximum initial battery voltage (measured without a workload) is 20, 60 or 120 volts. Nominal voltage is 18, 54 or 108. (120V Max* is based on using 2 DeWALT 60V Max* lithium-ion batteries combined.)

* La tension initiale maximum du bloc-piles (mesurée à vide) est de 20, 60 ou 120 volts. La tension nominale est de 18, 54 ou 108. (120 V Max* se base sur l’utilisation combinée de 2 blocs-piles au lithium ion DeWALT de 60 V Max*).

* El máximo voltaje inicial de la batería (medido sin carga de trabajo) es 20, 60 o 120 voltios. El voltaje nominal es de 18, 54 o 108. (120 V Máx* se basan en el uso de 2 baterías de iones de litio DeWALT de 60 V Máx* combinadas).

DeWALT Industrial Tool Co., 701 East Joppa Road, Baltimore, MD 21286
 (SEP16) Part No. N492099 DCS7485 Copyright © 2016 DeWALT

The following are trademarks for one or more DeWALT power tools: the yellow and black color scheme, the “D” shaped air intake grill, the array of pyramids on the handgrip, the kit box configuration, and the array of lozenge-shaped humps on the surface of the tool.