

# SLING PIVOT

SLING SERIES - SWITCHABLE WALL PACK

DATE: \_\_\_\_\_ LOCATION: \_\_\_\_\_  
 TYPE: \_\_\_\_\_ PROJECT: \_\_\_\_\_  
 CATALOG #: \_\_\_\_\_

tradeSELECT®

## FEATURES

- Beam angle adjustable up to 30 degrees
- Field switchable lumens and LED color temperature (3000K, 4000K, 5000K), 80 CRI
- Up to 153 lumens per watt
- Photocell standard in all sizes, which can easily be disabled
- Emergency 7W battery back up available (30-70W version only)
- Built with 0-10V dimming driver



**IP66**



## SPECIFICATIONS

### CONSTRUCTION

- Die-cast Aluminum Frame holds and seals to housing with 2 stainless steel screws
- All sizes contain photocell, which can be disabled.
- Cast aluminum housing has three 1/2" conduit entries on top and sides
- All units have dark bronze matte textured powder coat finish (matches DBT finish)
- Operating Temp -40C to 40C

### OPTICS

- High efficacies, up to 153 LPW
- Beam angle adjustable up to 30 degrees
- Type 4 Distribution

### INSTALLATION

- Door assembly hinges on side
- Leveling device contained inside the housing for ease of installation

### ELECTRICAL

- Voltage 120-347V
- Built in 6kV surge protector
- SGW1-50 Switchable Wattage includes 30, 40, 50W
- SGW1-70 Switchable Wattage includes 30, 50, 70W
- SGW2-120 Switchable Wattage includes 80, 100, 120W

### CERTIFICATIONS

- Listed to UL1598 and CSA C22.2#250.0-24 for wet locations and 40°C ambient temperatures
- Wet listed
- IP66 rated housing

### WARRANTY

- 5 year warranty

KEY DATA	
Lumen Range	4400-17,000
Wattage Range	30-120
Efficacy Range (LPW)	127-153

## ORDERING GUIDE

Housing	Catalog Number	Wattage	Voltage	Dist. Type	Delivered Lumens	LPW	CCT	Finish	Includes
Small	<b>SGW1-50-LSCS-UNVC-PC</b>	30-50W	120-347V	4	4400-7230	136-153	3000K, 4000K, 5000K	Dark Bronze	Photocontrol
Small	<b>SGW1-70-LSCS-UNVC-PC</b>	30-70W			4500-9477	127-153			
Large	<b>SGW2-120-LSCS-UNVC-PC</b>	80-120W			11,699-17,152	128-153			
Small	<b>SGW1-70-LSCS-UNVC-PC-EH</b>	30-70W	120-347V	4	4500-9477	127-153	3000K, 4000K, 5000K	Dark Bronze	Photocontrol 7W Battery Backup

# SLING PIVOT

SLING SERIES - SWITCHABLE WALL PACK

## PERFORMANCE DATA

Description	Nominal Wattage	System Watts	Dist. Type	5K (5000K NOMINAL, 80 CRI)					4K (4000K NOMINAL, 80 CRI)					3K (3000K NOMINAL, 80 CRI)				
				Lumens	LPW	B	U	G	Lumens	LPW	B	U	G	Lumens	LPW	B	U	G
SGW1-50	30	30.7	4	4642	151	2	0	1	4697	153	2	0	1	4400	143	2	0	1
	40	40.5	4	5999	148	2	0	1	6071	150	2	0	1	5687	140	2	0	1
	50	49.7	4	7177	144	2	0	2	7230	148	2	0	2	6843	136	2	0	2
SGW1-70	30	31.4	4	4747	151	2	0	1	4804	153	2	0	1	4500	143	2	0	1
	50	48.1	4	7005	146	2	0	2	7089	147	2	0	2	6641	138	2	0	2
	70	68.7	4	9379	137	3	0	2	9477	143	3	0	2	8907	127	3	0	2
SGW2-120	80	81.8	4	12341	151	3	0	3	12489	153	3	0	3	11699	143	3	0	3
	100	100.0	4	14621	146	3	0	3	14797	148	3	0	3	13861	139	3	0	3
	120	120.1	4	16841	140	3	0	3	17152	145	3	0	3	15854	128	3	0	3

## ELECTRICAL DATA

Family	Nominal Wattage	Input Voltage (Volts)	Current (Amps)	System Power (Watts)
SGW1-50	30	120	0.26	30.7
		208	0.15	
		240	0.13	
		277	0.11	
		347	0.09	
	40	120	0.34	40.5
		208	0.19	
		240	0.17	
		277	0.15	
		347	0.12	
	50	120	0.41	49.7
		208	0.24	
		240	0.21	
		277	0.18	
		347	0.14	

Family	Nominal Wattage	Input Voltage (Volts)	Current (Amps)	System Power (Watts)
SGW1-70	30	120	0.51	61.4
		208	0.30	
		240	0.26	
		277	0.22	
		347	0.18	
	50	120	0.40	48.1
		208	0.23	
		240	0.20	
		277	0.17	
		347	0.14	
	70	120	0.57	68.7
		208	0.33	
		240	0.29	
		277	0.25	
		347	0.20	

Family	Nominal Wattage	Input Voltage (Volts)	Current (Amps)	System Power (Watts)
SGW2-120	80	120	0.68	81.8
		208	0.39	
		240	0.34	
		277	0.30	
		347	0.24	
	100	120	0.83	100.0
		208	0.48	
		240	0.42	
		277	0.36	
		347	0.29	
	120	120	1.00	120.1
		208	0.58	
		240	0.50	
		277	0.43	
		347	0.35	

# SLING PIVOT

SLING SERIES - SWITCHABLE WALL PACK

DATE: \_\_\_\_\_ LOCATION: \_\_\_\_\_

TYPE: \_\_\_\_\_ PROJECT: \_\_\_\_\_

CATALOG #: \_\_\_\_\_

## LUMINAIRE AMBIENT TEMPERATURE FACTOR (LATF)

Ambient Temperature		Lumen Multiplier
0°C	32°F	1.03
10°C	50°F	1.01
20°C	68°F	1.00
25°C	77°F	1.00
30°C	86°F	0.99
40°C	104°F	0.98
50°C	122°F	0.97

Use these factors to determine relative lumen output for average ambient temperatures from 0-40°C (32-104°F).

## PROJECTED LUMEN MAINTENANCE

Ambient Temperature	0	25,000	35,000	50,000	TM-21-11 60,000	100,000
40°C / 104°F	1.00	0.95	0.93	0.90	0.88	0.81

# SLING PIVOT

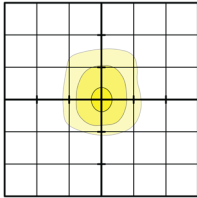
SLING SERIES - SWITCHABLE WALL PACK

## PHOTOMETRY



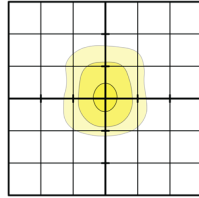
### SGW1-50

SGW1-50 – 30W



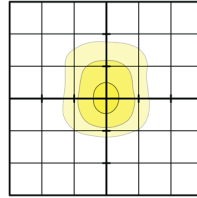
Mounting Height: 10 ft  
Scale: 25 ft

SGW1-50 – 40W



Mounting Height: 10 ft  
Scale: 25 ft

SGW1-50 – 50W



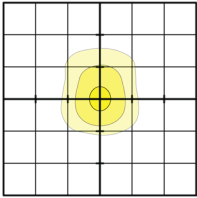
Mounting Height: 10 ft  
Scale: 25 ft



SGW CCT Switchable **3K, 4K, 5K**

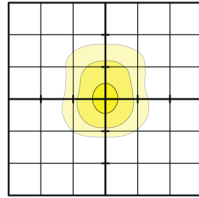
### SGW1-70

SGW1-70 – 30W



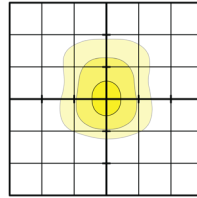
Mounting Height: 10 ft  
Scale: 25 ft

SGW1-70 – 50W



Mounting Height: 10 ft  
Scale: 25 ft

SGW1-70 – 70W



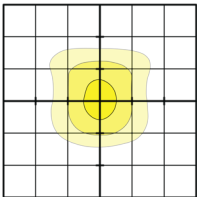
Mounting Height: 10 ft  
Scale: 25 ft



SGW CCT Switchable **3K, 4K, 5K**

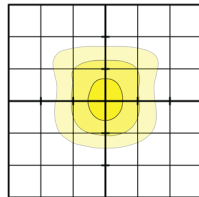
### SGW2-120

SGW2-120 – 80W



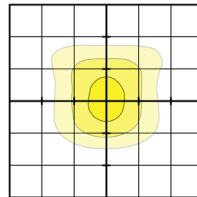
Mounting Height: 10 ft  
Scale: 25 ft

SGW2-120 – 100W



Mounting Height: 10 ft  
Scale: 25 ft

SGW2-120 – 120W



Mounting Height: 10 ft  
Scale: 25 ft



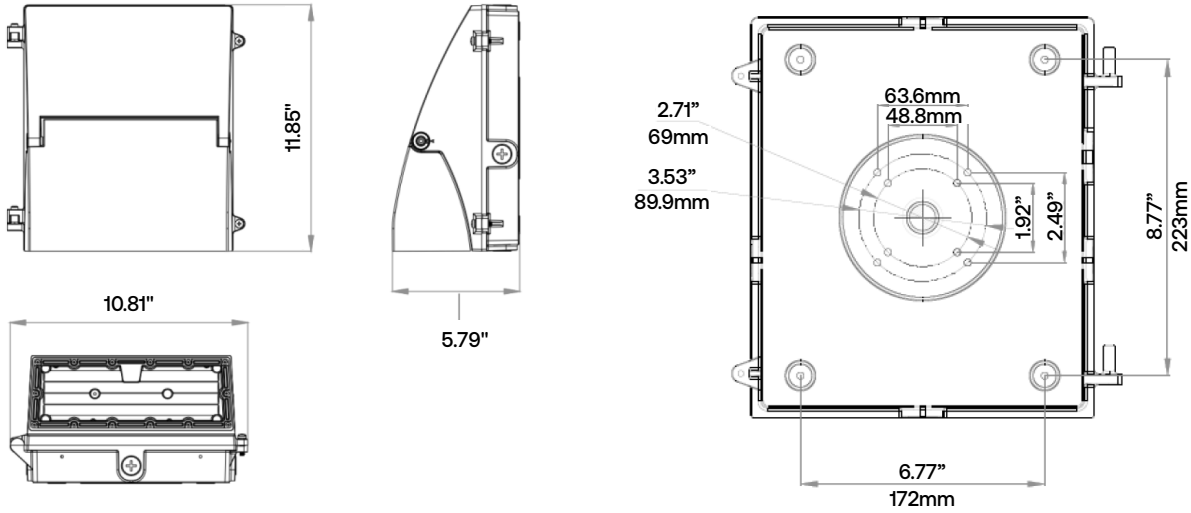
SGW CCT Switchable **3K, 4K, 5K**

# SLING PIVOT

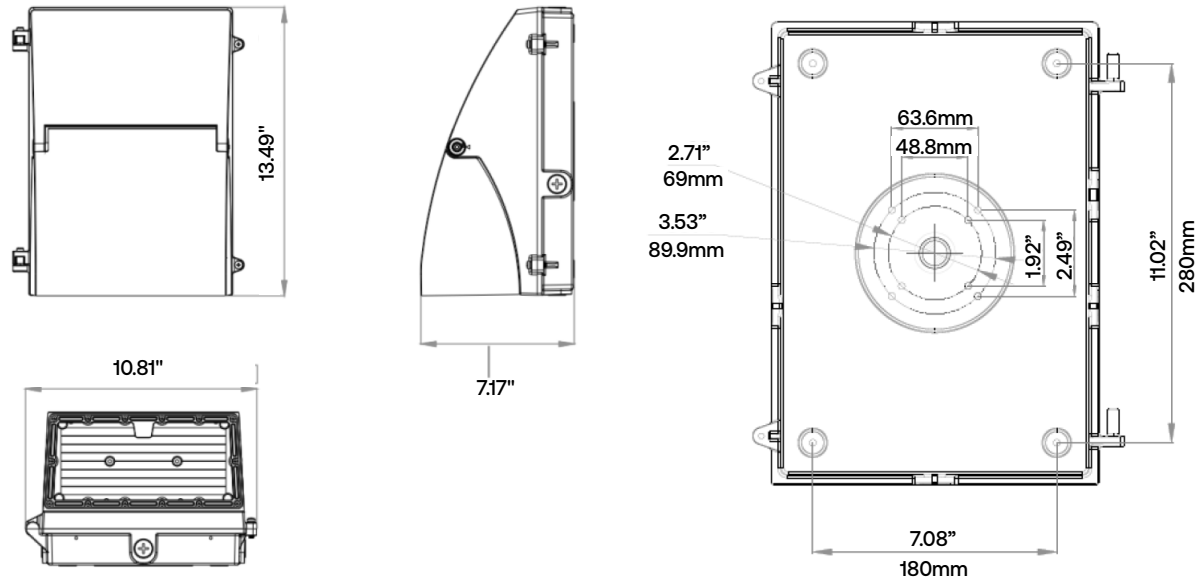
SLING SERIES - SWITCHABLE WALL PACK

## DIMENSIONS

### SGW1-50 & SGW1-70



### SGW2-120



## LEVEL SYSTEM



Integral level system in fixture

## USE OF TRADEMARKS AND TRADE NAMES

All product and company names, logos and product identifies are trademarks™ or registered trademarks® of Current or their respective owners. Use of them does not necessarily imply any affiliation with or endorsement by such respective owners.