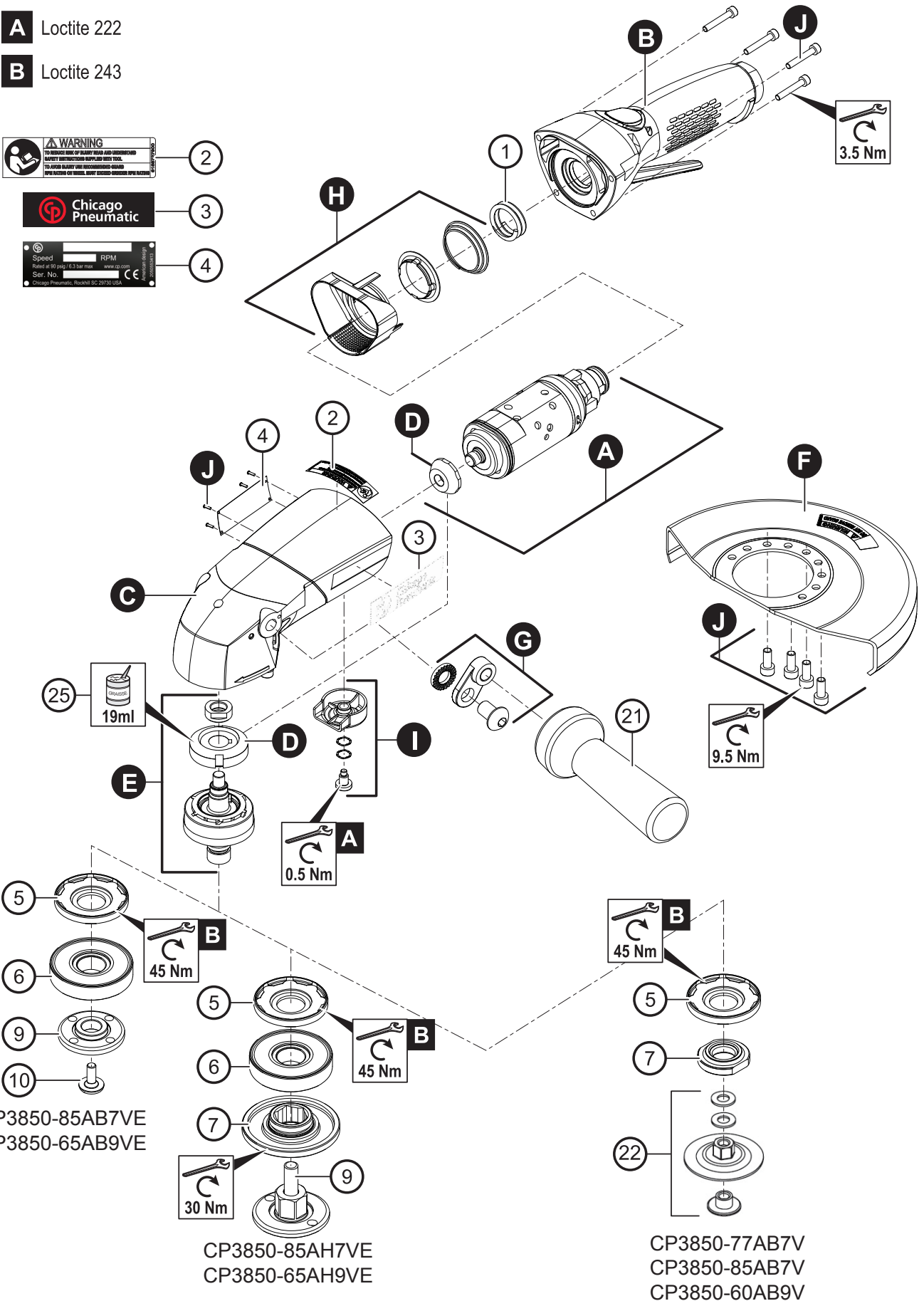


**A** Loctite 222

**B** Loctite 243



CP3850-85AB7VE  
CP3850-65AB9VE

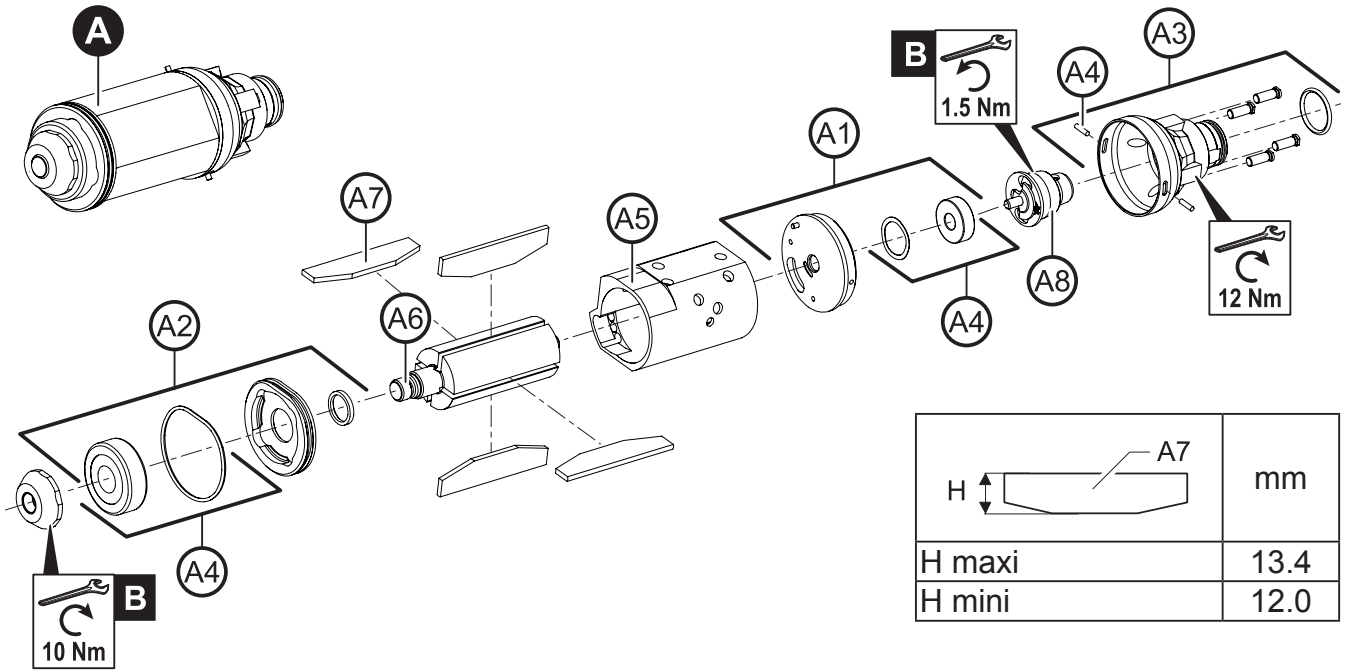
CP3850-85AH7VE  
CP3850-65AH9VE

CP3850-77AB7V  
CP3850-85AB7V  
CP3850-60AB9V

| Item | Description                   | Part No    | Qty            |                |                |                |               |               |               | Wear |        |     |
|------|-------------------------------|------------|----------------|----------------|----------------|----------------|---------------|---------------|---------------|------|--------|-----|
|      |                               |            | CP3850-85AB7VE | CP3850-85AH7VE | CP3850-65AB9VE | CP3850-65AH9VE | CP3850-77AB7V | CP3850-85AB7V | CP3850-60AB9V | High | Medium | Low |
| 1    | Spring cylindrical            | 6156811670 | 1              | 1              | 1              | 1              | 1             | 1             | 1             |      |        | X   |
| 2    | Warning label                 | 6158713860 | 1              | 1              | 1              | 1              | 1             | 1             | 1             |      |        | X   |
| 3    | CP plate                      | 2050553403 | 1              | 1              | 1              | 1              | 1             | 1             | 1             |      |        | X   |
| 4    | Name plate                    | 2050553413 | 1              | 1              | 1              | 1              | 1             | 1             | 1             |      |        | X   |
| 5    | Ring screw                    | 6156731760 | 1              | 1              | 1              | 1              | 1             | 1             | 1             |      |        | X   |
| 6    | Autobalancer                  | 6159901810 | 1              |                | 1              |                |               |               |               |      |        | X   |
| 6    | Autobalancer                  | 6159901940 |                | 1              |                | 1              |               |               |               |      |        | X   |
| 7    | Rear flange                   | 6155031530 |                |                |                |                | 1             | 1             | 1             |      |        | X   |
| 7    | Rear flange                   | 6155031640 |                | 1              |                | 1              |               |               |               |      |        | X   |
| 8    | Nut 5/8" UNC27                | 6156080490 |                |                |                |                | 1             | 1             | 1             |      |        | X   |
| 9    | Front flange                  | 6155020670 | 1              |                | 1              |                |               |               |               |      | X      |     |
| 9    | Front flange                  | 6155020850 |                | 1              |                | 1              |               |               |               |      | X      |     |
| 10   | Safety screw                  | 6156140760 | 1              |                | 1              |                |               |               |               |      | X      |     |
| 21   | Vibration-damping side handle | 6155760660 | 1              | 1              | 1              | 1              | 1             | 1             | 1             |      |        | X   |
| 22   | Wheel adaptor                 | C087920    |                |                |                |                | 1             | 1             | 1             |      |        | X   |
| A    | Motor kits                    | -          |                |                |                |                |               |               |               |      | X      |     |
| B    | Handle kits                   | -          |                |                |                |                |               |               |               |      |        | X   |
| C    | Housing kits                  | -          |                |                |                |                |               |               |               |      |        | X   |
| D    | Bevel gear paired kits        | -          |                |                |                |                |               |               |               |      | X      |     |
| E    | Spindle kits                  | -          |                |                |                |                |               |               |               |      |        | X   |
| F    | Guard kits                    | -          |                |                |                |                |               |               |               |      |        | X   |
| G    | Miscellaneous kits            | -          |                |                |                |                |               |               |               |      |        | X   |
| H    | Valve kit                     | -          |                |                |                |                |               |               |               |      | X      |     |
| J    | Rotating exhaust kit          | -          |                |                |                |                |               |               |               |      |        | X   |
| K    | Screw kit                     | -          |                |                |                |                |               |               |               |      |        | X   |

**Accessories included**

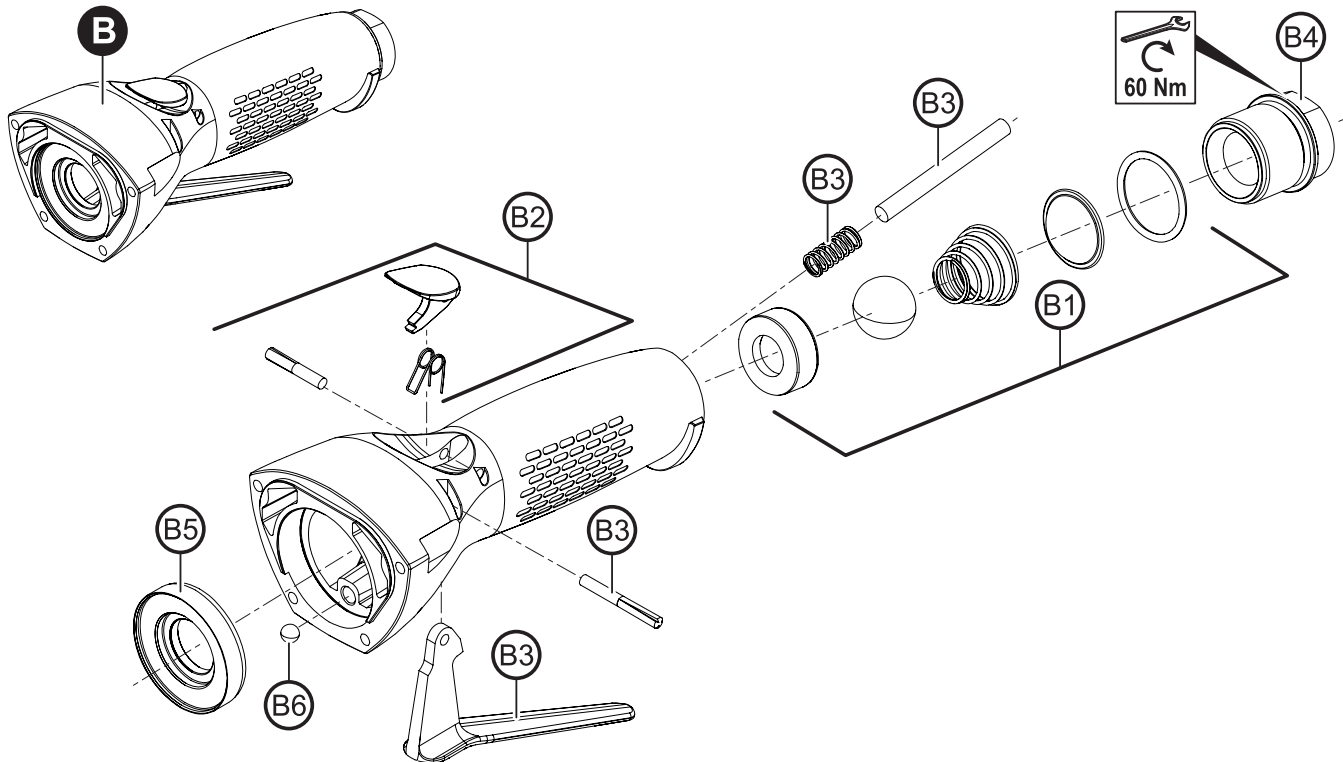
|   |  |            |   |   |   |   |   |   |   |  |  |  |
|---|--|------------|---|---|---|---|---|---|---|--|--|--|
| \ | PIN SPANNER 35mm                             | 6158020100 | 1 |   | 1 |   |   |   |   |  |  |  |
| \ | ALLEN KEY 1/4" A/F HEX                       | 69773      | 1 |   | 1 |   |   |   |   |  |  |  |
| \ | HEXAGON WRENCH 6MM A/F                       | 6158020560 |   | 1 |   | 1 |   |   |   |  |  |  |
| \ | NIPPLE 1/2" BSP X 16DIA                      | 6157040140 | 1 | 1 | 1 | 1 | 1 | 1 | 1 |  |  |  |
| \ | SPANNER FLAT 27 A/F(SPECIAL)                 | 6158010770 |   |   |   |   | 1 | 1 | 1 |  |  |  |
| \ | HEXAGON WRENCH for WHEEL ADAPTOR KIT C087920 | NA         |   |   |   |   | 1 | 1 | 1 |  |  |  |

**MOTOR KITS**
**B** Loctite 243


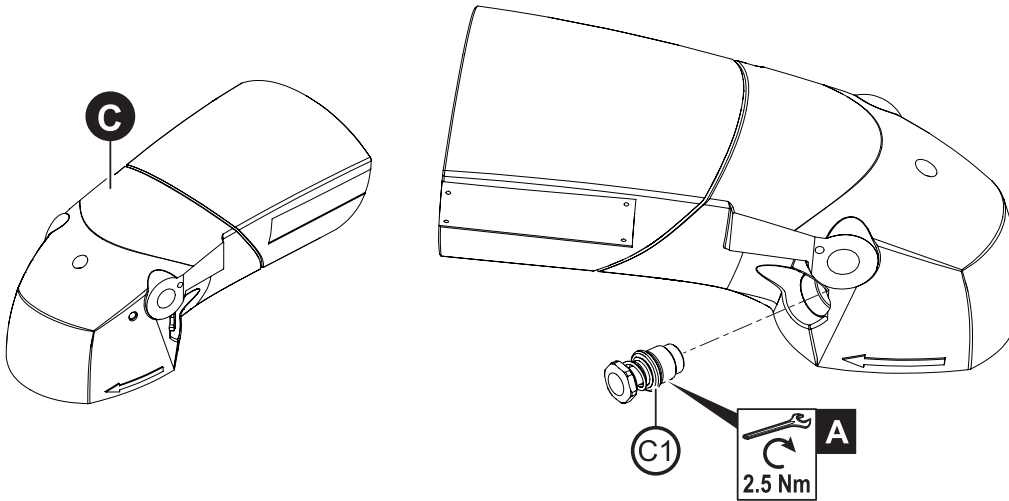
| Item | Description             | Part No    | Qty            |                |                |                |               |               |               | Wear |        |     |
|------|-------------------------|------------|----------------|----------------|----------------|----------------|---------------|---------------|---------------|------|--------|-----|
|      |                         |            | CP3850-85AB7VE | CP3850-85AH7VE | CP3850-65AB9VE | CP3850-65AH9VE | CP3850-77AB7V | CP3850-85AB7V | CP3850-60AB9V | High | Medium | Low |
| A    | Motor complete 8500 rpm | 6153942825 | 1              | 1              |                |                |               |               |               |      |        | X   |
| A    | Motor complete 7700 rpm | 6153942815 |                |                |                |                | 1             | 1             |               |      |        | X   |
| A    | Motor complete 6500 rpm | 6153942805 |                |                | 1              | 1              |               |               |               |      |        | X   |
| A    | Motor complete 6000 rpm | 6153942795 |                |                |                |                |               |               | 1             |      |        | X   |
| A8   | Governor 15K            | 6154570570 | 1              | 1              |                |                |               |               |               | 1    |        | X   |
| A8   | Governor 14K            | 6154570560 |                |                |                |                | 1             | 1             |               |      |        | X   |
| A8   | Governor 16K            | 6154570580 |                |                | 1              | 1              |               |               |               |      |        | X   |



| Item      | Description                 | Part No           | Qty      | High | Medium | Low |
|-----------|-----------------------------|-------------------|----------|------|--------|-----|
|           |                             |                   |          | Wear |        |     |
| <b>A1</b> | <b>Rear end plate kit</b>   | <b>6153977315</b> | <b>1</b> |      |        |     |
|           | Rear end plate              | -                 | 1        |      | X      |     |
|           | Shaft                       | -                 | 1        |      |        | X   |
|           | Valve                       | -                 | 1        |      |        | X   |
|           | Screw                       | -                 | 2        |      |        | X   |
|           | Needle 2x8                  | -                 | 1        |      |        | X   |
|           | O-Ring 19.1x1.6             | -                 | 1        |      | X      |     |
|           | Waved washer                | -                 | 1        |      |        | X   |
|           | Ball bearing                | -                 | 1        | X    |        |     |
| <b>A2</b> | <b>Front end plate kit</b>  | <b>6153977325</b> | <b>1</b> |      |        |     |
|           | Front end plate             | -                 | 1        |      | X      |     |
|           | Spacer                      | -                 | 1        |      |        | X   |
|           | Ball bearing                | -                 | 1        | X    |        |     |
|           | O-Ring 35.1x1.6             | -                 | 1        |      |        | X   |
| <b>A3</b> | <b>Governor housing kit</b> | <b>6153977335</b> | <b>1</b> |      |        |     |
|           | Pin Spirol 2x8              | -                 | 2        |      |        | X   |
|           | O-Ring 15.6x1.78            | -                 | 1        |      |        | X   |
|           | Governor housing            | -                 | 1        |      |        | X   |
|           | Piston                      | -                 | 4        |      |        | X   |
| <b>A4</b> | <b>Motor service kit</b>    | <b>2050553543</b> | <b>1</b> |      |        |     |
| A7        | Kit 4 blades                | 6154340665        | 1        | X    |        |     |
|           | Waved washer                | -                 | 1        |      |        | X   |
|           | Ball bearing                | -                 | 1        |      | X      |     |
|           | Ball bearing                | -                 | 1        |      | X      |     |
|           | O-Ring 35.1x1.6             | -                 | 1        |      |        | X   |
|           | Pin Spirol 2x8              | -                 | 2        |      |        | X   |
|           | O-Ring 15.6x1.78            | -                 | 1        |      |        | X   |
| <b>A5</b> | <b>Cylinder</b>             | <b>6154001550</b> | <b>1</b> |      |        | X   |
| <b>A6</b> | <b>Rotor</b>                | <b>6154261310</b> | <b>1</b> |      |        | X   |
| <b>A7</b> | <b>Kit 4 blades</b>         | <b>6154340665</b> | <b>1</b> |      |        |     |
|           | Blade                       | -                 | 4        | X    |        |     |

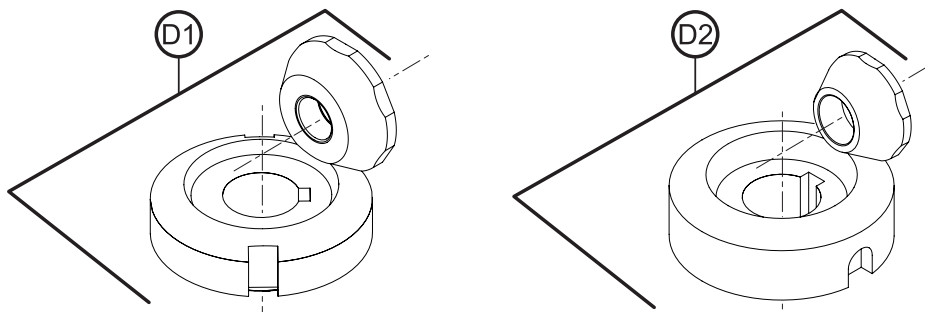
**HANDLE KITS**


| Item      | Description                 | Part No           | Qty      | Wear |        |     |
|-----------|-----------------------------|-------------------|----------|------|--------|-----|
|           |                             |                   |          | High | Medium | Low |
| <b>B</b>  | <b>Handle complete</b>      | <b>6153900575</b> | <b>1</b> |      |        | X   |
| <b>B1</b> | <b>Inlet kit</b>            | <b>6153977355</b> | <b>1</b> |      |        |     |
|           | Spring conical              | -                 | 1        |      |        | X   |
|           | Ball 021                    | -                 | 1        |      |        | X   |
|           | O-Ring 25x2.5               | -                 | 1        |      | X      |     |
|           | Ball seat                   | -                 | 1        |      |        | X   |
|           | Screen                      | -                 | 1        |      |        | X   |
| <b>B2</b> | <b>Latch lever kit</b>      | <b>6153977365</b> | <b>1</b> |      |        |     |
|           | Latch lever                 | -                 | 1        |      |        | X   |
|           | Latch lever spring          | -                 | 1        |      |        | X   |
|           | Grooved pin 4x26 G02        | -                 | 1        |      |        | X   |
| <b>B3</b> | <b>Lever kit</b>            | <b>6153977375</b> | <b>1</b> |      |        |     |
|           | Lever                       | -                 | 1        |      |        | X   |
|           | Needle 6x59.8               | -                 | 1        |      |        | X   |
|           | Grooved pin 4x36 G02        | -                 | 1        |      |        | X   |
|           | Spring cylindrical          | -                 | 1        |      |        | X   |
| <b>B4</b> | <b>Bushing inlet 1/2NPT</b> | <b>6157460740</b> | <b>1</b> |      |        | X   |
| <b>B5</b> | <b>Inlet bushing</b>        | <b>6157301910</b> | <b>1</b> |      |        | X   |
| <b>B6</b> | <b>Ball Ø8</b>              | <b>466703</b>     | <b>1</b> |      |        | X   |

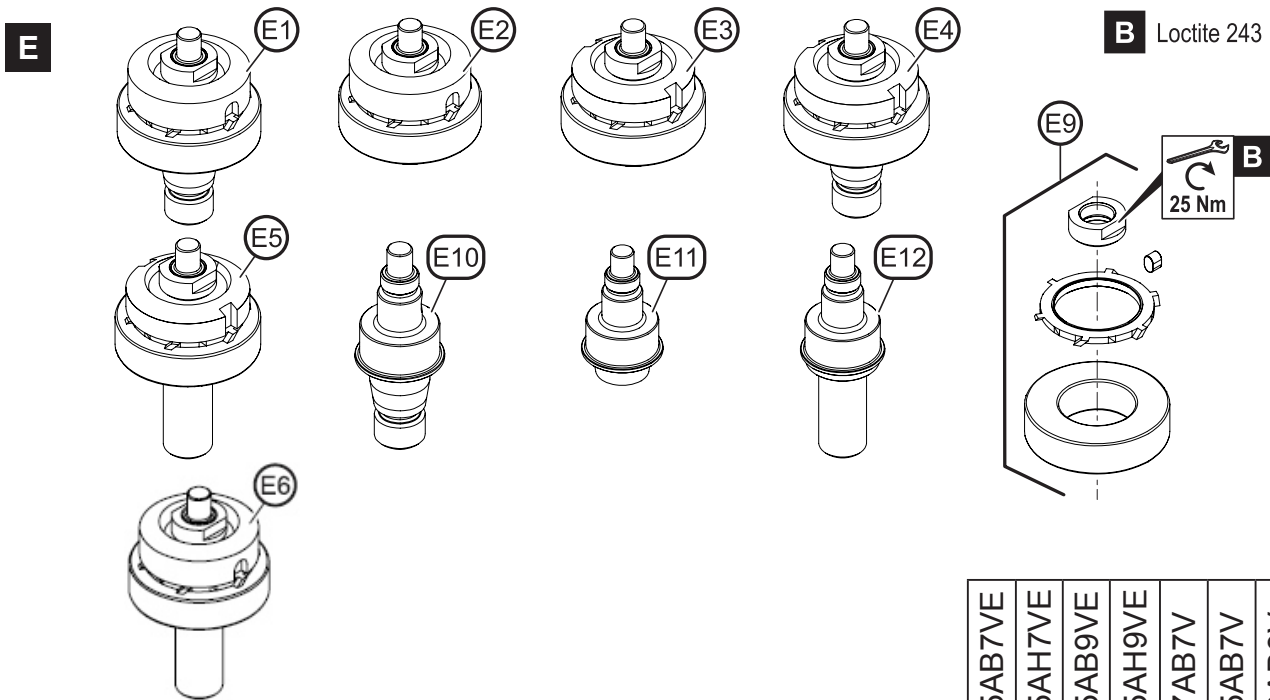
**HOUSING KITS**
**A** Loctite 222


| Item | Description         | Part No    | Qty |
|------|---------------------|------------|-----|
| C    | Housing complete    | 6153932905 | 1   |
| C1   | Stopfinger complete | 6153974060 | 1   |

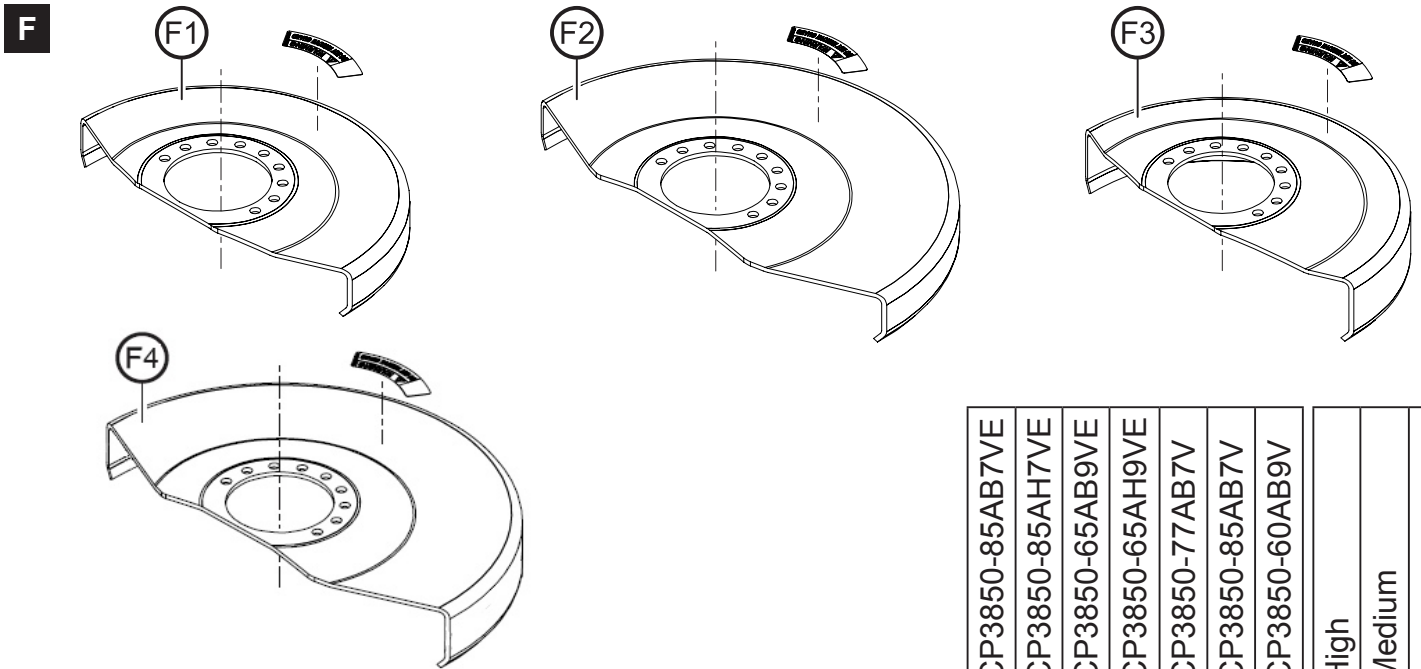
|             | High | Medium | Low |
|-------------|------|--------|-----|
| <b>Wear</b> |      |        | X   |
|             |      |        | X   |

**BEVEL GEAR PAIRED KITS**
**D**


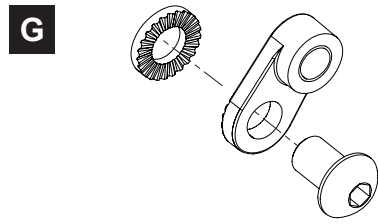
| Item | Description             | Part No    | Qty            |                |                |                |               |               |               | Wear |        |     |  |
|------|-------------------------|------------|----------------|----------------|----------------|----------------|---------------|---------------|---------------|------|--------|-----|--|
|      |                         |            | CP3850-85AB7VE | CP3850-85AH7VE | CP3850-65AB9VE | CP3850-65AH9VE | CP3850-77AB7V | CP3850-85AB7V | CP3850-60AB9V | High | Medium | Low |  |
| D1   | Bevel gear paired kit 1 | 6153977395 | 1              | 1              |                |                | 1             | 1             |               |      |        |     |  |
|      | Pinion                  | -          | 1              | 1              |                |                | 1             | 1             |               |      | X      |     |  |
|      | Bevel gear              | -          | 1              | 1              |                |                | 1             | 1             |               |      | X      |     |  |
| D2   | Bevel gear paired kit 2 | 6153977405 |                |                | 1              | 1              |               |               | 1             |      |        |     |  |
|      | Pinion                  | -          |                |                | 1              | 1              |               |               | 1             |      | X      |     |  |
|      | Bevel gear              | -          |                |                | 1              | 1              |               |               | 1             |      | X      |     |  |

**SPINDLE KITS**


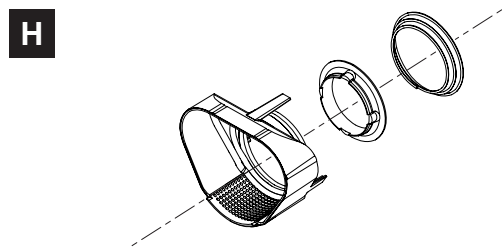
| Item | Description                   | Part No    | Qty            |                |                |                |               |               |               | Wear |        |     |
|------|-------------------------------|------------|----------------|----------------|----------------|----------------|---------------|---------------|---------------|------|--------|-----|
|      |                               |            | CP3850-85AB7VE | CP3850-85AH7VE | CP3850-65AB9VE | CP3850-65AH9VE | CP3850-77AB7V | CP3850-85AB7V | CP3850-60AB9V | High | Medium | Low |
| E1   | Spindle 5/8" 6500 rpm         | 6153977175 |                | 1              |                |                |               |               |               |      |        | X   |
| E2   | Spindle H 6500 rpm            | 6153977185 |                |                | 1              |                |               |               |               |      |        | X   |
| E3   | Spindle H 8500 rpm            | 6153977195 |                | 1              |                |                |               |               |               |      |        | X   |
| E4   | Spindle 5/8" 8500 rpm         | 6153977205 | 1              |                |                |                |               |               |               |      |        | X   |
| E5   | Spindle 5/8" 7700 rpm         | 6153977215 |                |                |                |                | 1             | 1             |               |      |        | X   |
| E6   | Spindle 5/8" 6000 rpm         | 6153977225 |                |                |                |                |               |               | 1             |      |        |     |
| E9   | Spindle service kit           | 2050553553 | 1              | 1              | 1              | 1              | 1             | 1             | 1             |      |        |     |
|      | Ball bearing                  | -          | 1              | 1              | 1              | 1              | 1             | 1             | 1             |      | X      |     |
|      | Parallel key 4x4x6xh9         | -          | 1              | 1              | 1              | 1              | 1             | 1             | 1             |      |        | X   |
|      | Locking nut                   | -          | 1              | 1              | 1              | 1              | 1             | 1             | 1             |      |        | X   |
|      | Grease deflector              | -          | 1              | 1              | 1              | 1              | 1             | 1             | 1             |      |        | X   |
| E10  | Spindle 5/8" for autobalancer | 6155011290 | 1              |                | 1              |                |               |               |               |      |        | X   |
| E11  | Spindle H for autobalancer    | 6155011280 |                | 1              |                | 1              |               |               |               |      |        | X   |
| E12  | Spindle 5/8" US               | 6155011300 |                |                |                |                | 1             | 1             | 1             |      |        | X   |
| E13  | Spindle 5/8" for autobalancer | 6155011310 |                |                |                |                |               |               |               |      |        | X   |

**GUARD KITS**


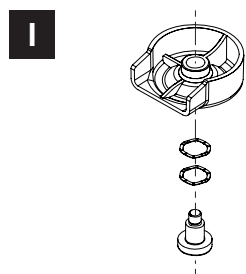
| Item      | Description              | Part No           | Qty            |                |                |                |               |               |               | Wear |        |     |
|-----------|--------------------------|-------------------|----------------|----------------|----------------|----------------|---------------|---------------|---------------|------|--------|-----|
|           |                          |                   | CP3850-85AB7VE | CP3850-85AH7VE | CP3850-65AB9VE | CP3850-65AH9VE | CP3850-77AB7V | CP3850-85AB7V | CP3850-60AB9V | High | Medium | Low |
| <b>F1</b> | <b>Guard 7" kit</b>      | <b>6155042115</b> | 1              | 1              |                |                |               |               |               |      |        |     |
|           | Guard 7"                 | -                 | 1              | 1              |                |                |               |               |               |      |        | X   |
|           | Guard warning label      | -                 | 1              | 1              |                |                |               |               |               |      |        | X   |
|           | Screw hex head cap M5x12 | -                 | 4              | 4              |                |                |               |               |               |      |        | X   |
| <b>F2</b> | <b>Guard 9" kit</b>      | <b>6155042125</b> |                |                | 1              | 1              |               |               |               |      |        |     |
|           | Guard 9"                 | -                 |                |                | 1              | 1              |               |               |               |      |        | X   |
|           | Guard warning label      | -                 |                |                | 1              | 1              |               |               |               |      |        | X   |
|           | Screw hex head cap M5x12 | -                 |                |                | 4              | 4              |               |               |               |      |        | X   |
| <b>F3</b> | <b>Guard 7" US kit</b>   | <b>6155042135</b> |                |                |                |                | 1             | 1             |               |      |        |     |
|           | Guard 7" US              | -                 |                |                |                |                | 1             | 1             |               |      |        | X   |
|           | Guard warning label      | -                 |                |                |                |                | 1             | 1             |               |      |        | X   |
|           | Screw hex head cap M5x12 | -                 |                |                |                |                | 4             | 4             |               |      |        | X   |
| <b>F4</b> | <b>Guard 9" US kit</b>   | <b>2050559613</b> |                |                |                |                |               |               | 1             |      |        |     |
|           | Guard 9" US              | -                 |                |                |                |                |               |               | 1             |      |        | X   |
|           | Guard warning label      | -                 |                |                |                |                |               |               | 1             |      |        | X   |
|           | Screw hex head cap M5x12 | -                 |                |                |                |                |               |               | 4             |      |        | X   |

**MISCELLANEOUS KITS**


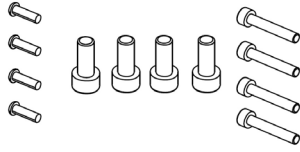
| Item     | Description                        | Part No           | Qty            |                |                |                |               |               |               |      | Wear   |     |   |
|----------|------------------------------------|-------------------|----------------|----------------|----------------|----------------|---------------|---------------|---------------|------|--------|-----|---|
|          |                                    |                   | CP3850-85AB7VE | CP3850-85AH7VE | CP3850-65AB9VE | CP3850-65AH9VE | CP3850-77AB7V | CP3850-85AB7V | CP3850-60AB9V | High | Medium | Low |   |
| <b>G</b> | <b>Rotating handle support kit</b> | <b>6153977415</b> | 1              | 1              | 1              | 1              | 1             | 1             | 1             | 1    |        |     |   |
|          | Screw hex button M10x16            | -                 | 1              | 1              | 1              | 1              | 1             | 1             | 1             | 1    |        |     | X |
|          | Handle bracket                     | -                 | 1              | 1              | 1              | 1              | 1             | 1             | 1             | 1    |        | X   |   |
|          | Rotating spacer                    | -                 | 1              | 1              | 1              | 1              | 1             | 1             | 1             | 1    |        |     | X |



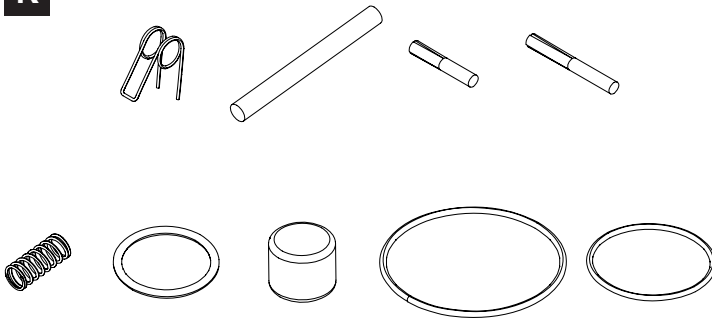
| Item     | Description      | Part No           | Qty            |                |                |                |               |               |               |      | Wear   |     |   |
|----------|------------------|-------------------|----------------|----------------|----------------|----------------|---------------|---------------|---------------|------|--------|-----|---|
|          |                  |                   | CP3850-85AB7VE | CP3850-85AH7VE | CP3850-65AB9VE | CP3850-65AH9VE | CP3850-77AB7V | CP3850-85AB7V | CP3850-60AB9V | High | Medium | Low |   |
| <b>H</b> | <b>Valve kit</b> | <b>6153977425</b> | 1              | 1              | 1              | 1              | 1             | 1             | 1             | 1    |        |     |   |
|          | Partition        | -                 | 1              | 1              | 1              | 1              | 1             | 1             | 1             | 1    |        |     | X |
|          | Valve            | -                 | 1              | 1              | 1              | 1              | 1             | 1             | 1             | 1    |        | X   |   |
|          | Spring conical   | -                 | 1              | 1              | 1              | 1              | 1             | 1             | 1             | 1    |        |     | X |



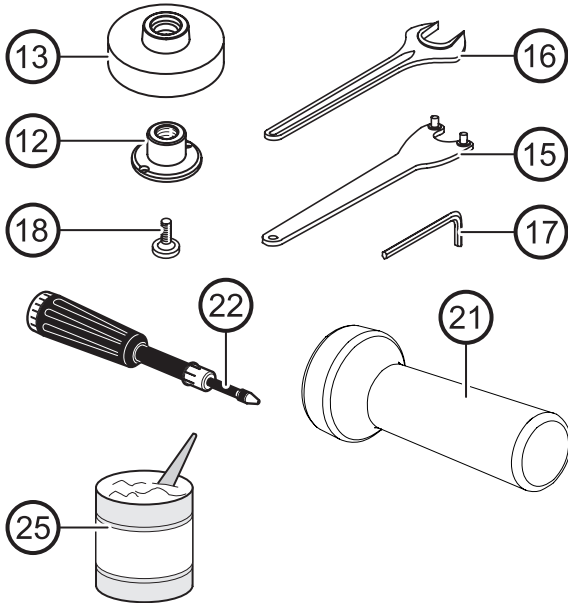
| Item     | Description                 | Part No           | Qty            |                |                |                |               |               |               |      | Wear   |     |   |
|----------|-----------------------------|-------------------|----------------|----------------|----------------|----------------|---------------|---------------|---------------|------|--------|-----|---|
|          |                             |                   | CP3850-85AB7VE | CP3850-85AH7VE | CP3850-65AB9VE | CP3850-65AH9VE | CP3850-77AB7V | CP3850-85AB7V | CP3850-60AB9V | High | Medium | Low |   |
| <b>I</b> | <b>Rotating exhaust kit</b> | <b>6153977435</b> | 1              | 1              | 1              | 1              | 1             | 1             | 1             | 1    |        |     |   |
|          | Rotating exhaust            | -                 | 1              | 1              | 1              | 1              | 1             | 1             | 1             | 1    |        |     | X |
|          | Washer head screw           | -                 | 1              | 1              | 1              | 1              | 1             | 1             | 1             | 1    |        |     | X |
|          | M4 Washer curved spring     | -                 | 2              | 2              | 2              | 2              | 2             | 2             | 2             | 2    |        |     | X |

**J**


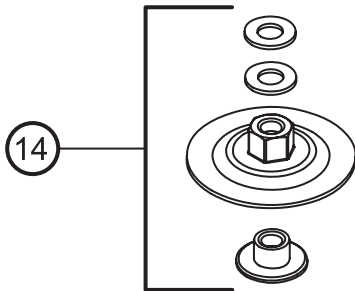
| Item     | Description              | Part No           | Qty            |                |                |                |               |               |               |          | Wear   |     |   |
|----------|--------------------------|-------------------|----------------|----------------|----------------|----------------|---------------|---------------|---------------|----------|--------|-----|---|
|          |                          |                   | CP3850-85AB7VE | CP3850-85AH7VE | CP3850-65AB9VE | CP3850-65AH9VE | CP3850-77AB7V | CP3850-85AB7V | CP3850-60AB9V | High     | Medium | Low |   |
| <b>J</b> | <b>Screw kit</b>         | <b>6153977445</b> | <b>1</b>       | <b>1</b>       | <b>1</b>       | <b>1</b>       | <b>1</b>      | <b>1</b>      | <b>1</b>      | <b>1</b> |        |     |   |
|          | Screw hex head cap M4x25 | -                 | 4              | 4              | 4              | 4              | 4             | 4             | 4             | 4        |        |     | X |
|          | Drive screw              | -                 | 4              | 4              | 4              | 4              | 4             | 4             | 4             | 4        |        |     | X |
|          | Screw hex head cap M5x12 | -                 | 4              | 4              | 4              | 4              | 4             | 4             | 4             | 4        |        |     | X |

**K**


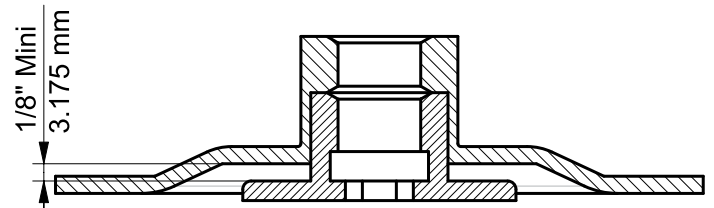
| Item     | Description               | Part No           | Qty            |                |                |                |               |               |               |          | Wear   |     |   |
|----------|---------------------------|-------------------|----------------|----------------|----------------|----------------|---------------|---------------|---------------|----------|--------|-----|---|
|          |                           |                   | CP3850-85AB7VE | CP3850-85AH7VE | CP3850-65AB9VE | CP3850-65AH9VE | CP3850-77AB7V | CP3850-85AB7V | CP3850-60AB9V | High     | Medium | Low |   |
| <b>K</b> | <b>Global service kit</b> | <b>2050553433</b> | <b>1</b>       | <b>1</b>       | <b>1</b>       | <b>1</b>       | <b>1</b>      | <b>1</b>      | <b>1</b>      | <b>1</b> |        |     |   |
|          | Latch Lever Spring        | -                 | 1              | 1              | 1              | 1              | 1             | 1             | 1             | 1        |        |     | X |
|          | Needle 6x59.8             | -                 | 1              | 1              | 1              | 1              | 1             | 1             | 1             | 1        |        |     | X |
|          | Grooved pin 4x26 G02      | -                 | 1              | 1              | 1              | 1              | 1             | 1             | 1             | 1        |        |     | X |
|          | Grooved pin 4x36 G02      | -                 | 1              | 1              | 1              | 1              | 1             | 1             | 1             | 1        |        |     | X |
|          | O-Ring 25x2.5             | -                 | 1              | 1              | 1              | 1              | 1             | 1             | 1             | 1        |        | X   |   |
|          | Spring cylindrical        | -                 | 1              | 1              | 1              | 1              | 1             | 1             | 1             | 1        |        |     | X |
|          | -Ring 47.35x1.78          | -                 | 1              | 1              | 1              | 1              | 1             | 1             | 1             | 1        |        | X   |   |
|          | O-Ring 32.1x1.6           | -                 | 1              | 1              | 1              | 1              | 1             | 1             | 1             | 1        |        | X   |   |
|          | Needle bearing            | -                 | 1              | 1              | 1              | 1              | 1             | 1             | 1             | 1        |        | X   |   |

**OPTIONAL ACCESSORIES**


| Item | Description                   | Part No    |
|------|-------------------------------|------------|
| 12   | Nut                           | 6155421040 |
| 13   | Rear flange balancer          | 6155031460 |
| 15   | Pin spanner 35mm              | 6158020100 |
| 16   | Spanner flat                  | 6158010770 |
| 17   | Hexagon wrench 6mm            | 6158020560 |
| 18   | Safety screw                  | 6156140340 |
| 21   | Vibration-damping side handle | 6155760660 |
| 22   | Grease gun                    | 6159901490 |
| 25   | Grease for bevel gear (1Kg)   | 6159901480 |

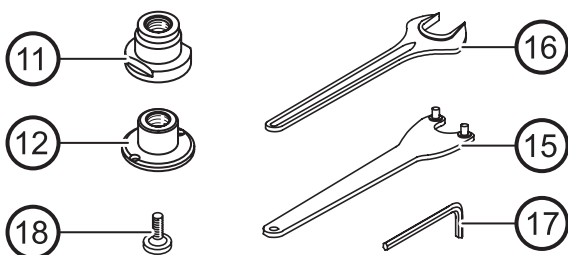
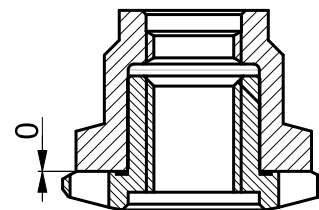
**CP3850-77AB7V & CP3850-85AB7V & CP3850-60AB9V**


Type 27 and 42



| Item | Description   | Part No |
|------|---------------|---------|
| 14   | Wheel adapter | C087920 |

Type 27 - 41 and 42



| Item | Description        | Part No    |
|------|--------------------|------------|
| 11   | Rear flange        | 6155031030 |
| 12   | Nut                | 6155421040 |
| 15   | Pin spanner 35mm   | 6158020100 |
| 16   | Spanner flat       | 6158010770 |
| 17   | Hexagon wrench 6mm | 6158020560 |
| 18   | Safety screw       | 6156140340 |

Spare parts without part number are not sold separately

2050553333 Rev08