

# SPEC SHEET

## Universal Guardrails with Bases Complete Kit



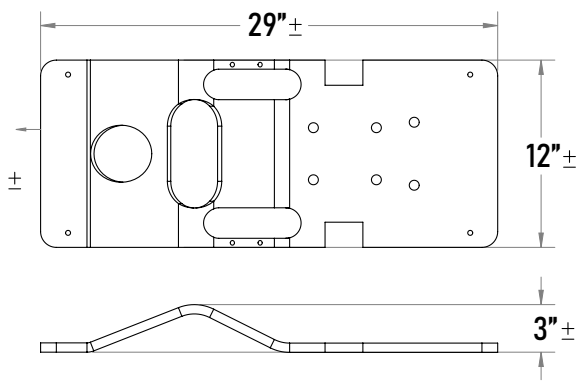
### GUS



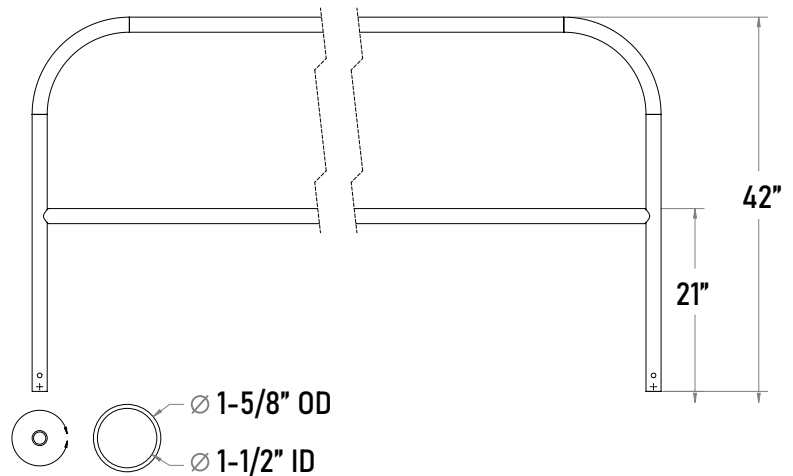
KIT INCLUDES  
**11 BASES**  
**10 GUARDRAILS**

**PATENT**  
**PENDING**

**TOTAL WEIGHT**  
(Including pallet)  
**GUS10** - 1056 lbs  
**GUS75** - 996 lbs  
**GUS05** - 806 lbs



ASTM A36 15mm - 5/8"  
Base Total Weight: 56 lbs



**CUSTOMIZE** our fall prevention system with no **extra fees!**

Add your company's logo and choose a custom color for your guardrails

- 6 Kits Minimum order
- 4-6 week lead time



www.frontlinefall.com info@frontlinefall.com  
6 Lee Blvd, Malvern, PA 19355

# SPEC SHEET

## Universal Guardrails with Bases Complete Kit



### GUS



Design Specifications	GUS10	GUS75	GUS05
Total Kit Length	100'	75'	50'
Guardrail Length	10'	7.5'	5.0'
Kit Weight	936 lbs	876 lbs	776 lbs
Guardrail Weight	32 lbs	26 lbs	16 lbs
Compliance	OSHA 1910 & 1926	OSHA 1910 & 1926	OSHA 1910 & 1926
		CAL OSHA Title 8 Section 3209	

Features	
Lightest base in the market with rubber handles on sides for better ergonomics	Includes three fittings with grub screws for a more secure and stable guardrail fit
Guardrail system can be stacked 4 pallet high	EPDM supports for better stability
System can be easily installed in just minutes	Includes two toe board slots for overhead protection



www.frontlinefall.com info@frontlinefall.com  
6 Lee Blvd, Malvern, PA 19355