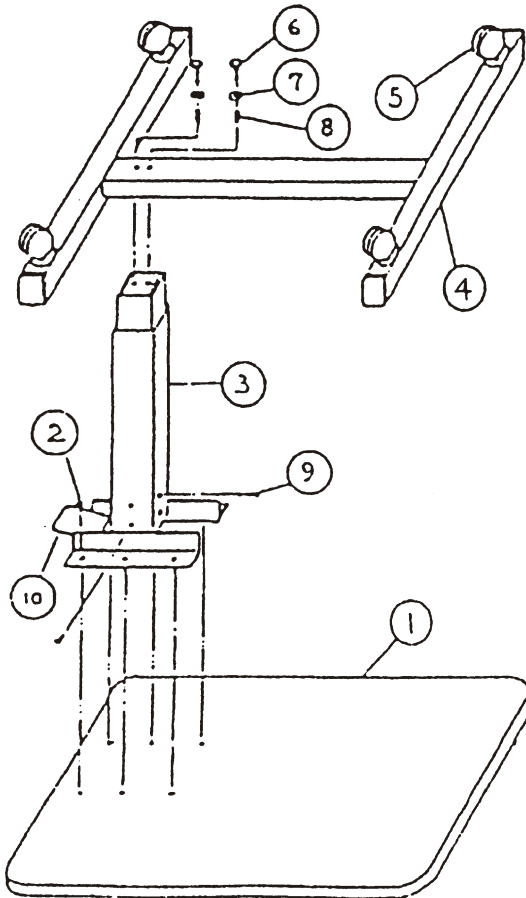


# Automatic Overbed Table

770-872 (Walnut) • 770-873 (Light Brown)

## Assembly and operating instructions



### Assembly instructions:

- Invert and rest Mast (3) on to Top board (1). Afix with 6 screws (2).
- Place the Base (4) above the Mast (3) and assemble with Bolts (6), Washer (7) and Insert (8) as shown in illustration.
- Insert 4 Casters (5) into holes provided in base.
- Invert table and remove screw (9), allowing easy height adjustment.
- Raise top by applying light pressure upward under table top.
- Lower table by squeezing Adjustable Plate (10) upwards and at same time pushing table top down to desired height.

### Caution:

- Assemble completely before removing screw (9). But be sure to remove after assembly for height adjustment to operate properly.
- Before taking apart, adjust the table top to the lowest position and tighten Screw (9), so Mast is locked for safe handling.

### Contents included:

- |                                       |                                      |
|---------------------------------------|--------------------------------------|
| 1 - 1 Top board                       | 6 - 2 Bolts (hexagon head)           |
| 2 - 6 Screws<br>(cross recessed head) | 7 - 2 Washers                        |
| 3 - 1 Mast                            | 8 - 2 Inserts                        |
| 4 - 1 Base                            | 9 - 1 Screw<br>(cross recessed head) |
| 5 - 4 Casters                         | 10 - 1 Adjustable plate              |